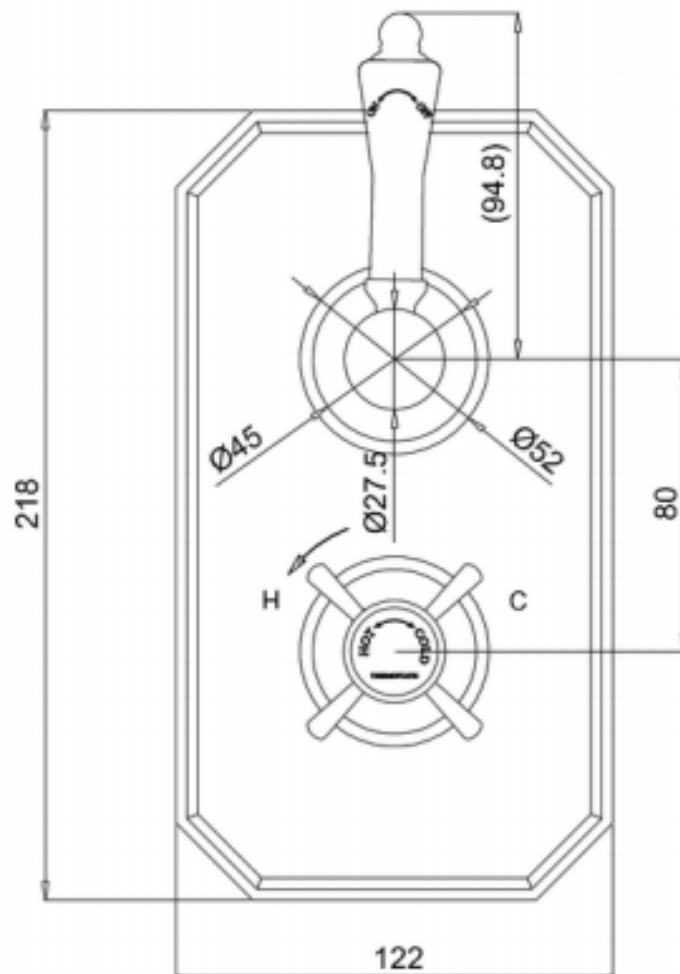




bathstore

20007014500 - BENSAM 1000 VALVE BACK PLATE & HANDLES ONLY CHR- BSBH1000BPHC



Note:

For the each part, the dimension tolerance should be followed the list below.

| 0 - 100 | 101 - 200 | 201 - 400 | ≥ 401 |
|---------|-----------|-----------|-------|
| ±1 | ±2 | ±3 | ±5 |

For the finished assembly, the dimension tolerance should be followed the list below.

| 0 - 300 | ≥ 301 |
|---------|-------|
| ±2 | ±5 |