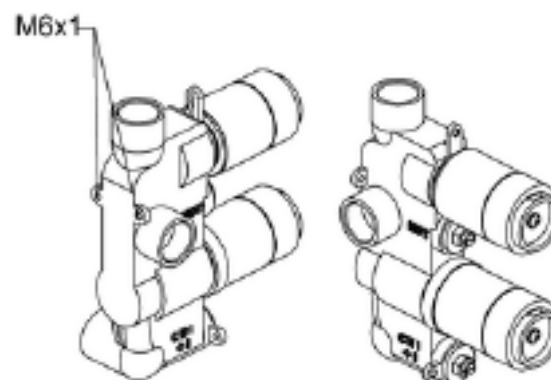
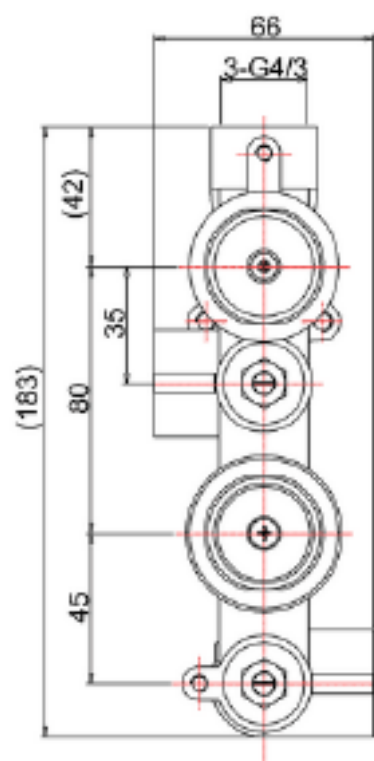
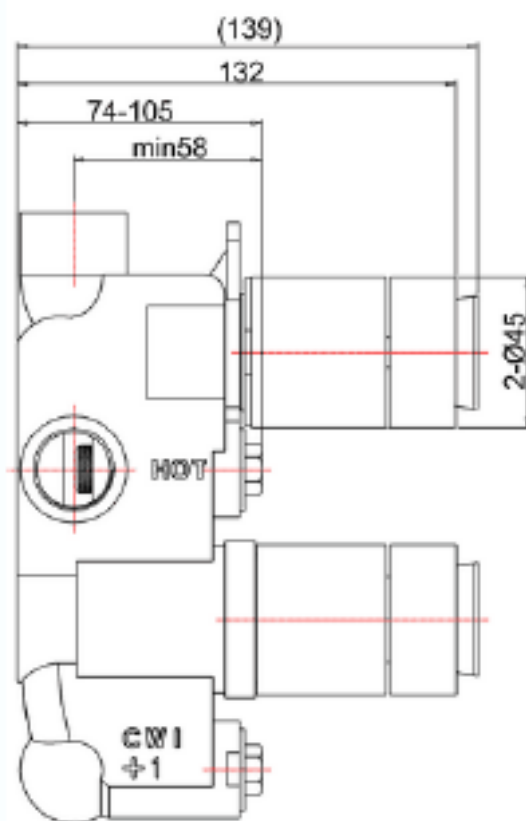




bathstore

20007012135 - DUAL CONTROL SHOWER VALVE ONLY CHR BSWLBP1000RC



Note:

For each part of the accessory, the dimension tolerance should be followed the list below.

0 - 100	101 - 200	201 - 400	≥ 401
±1	±2	±3	±5

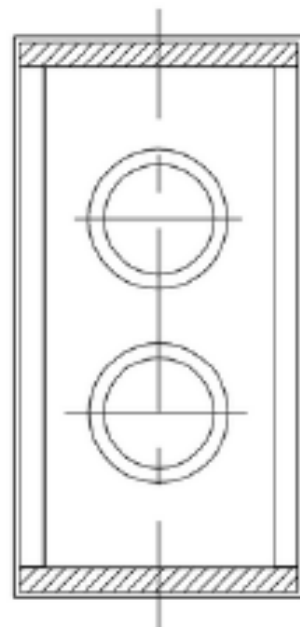
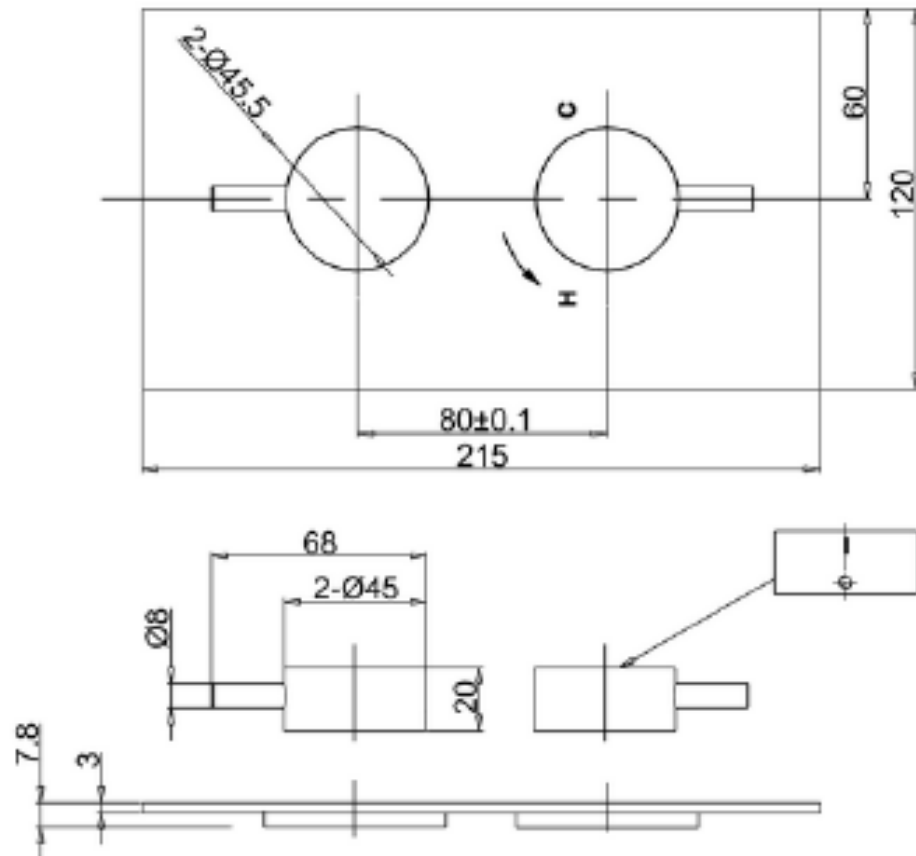
For the finished assembly, the dimension tolerance should be followed the list below.

0 - 300	≥ 301
±2	±5



bathstore

20007012400 - METRO 1000 valve back plate & handle-BSKL1000BPHC



Note:

For the each part, the dimension tolerance should be followed the list below.

0 - 100	101 - 200	201 - 400	>401
±1	±2	±3	±5

For the finished assembly, the dimension tolerance should be followed the list below.

0 - 300	>301
±2	±5