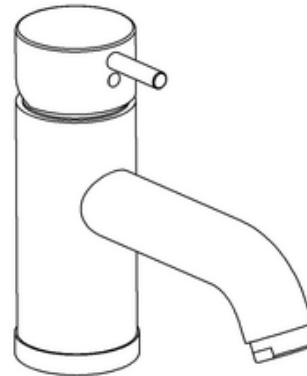
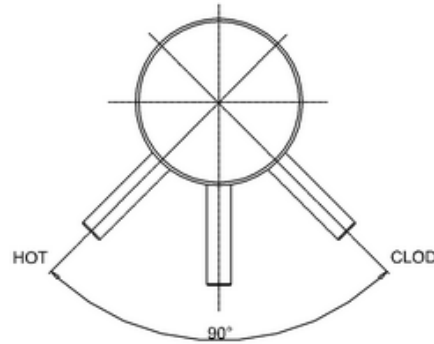
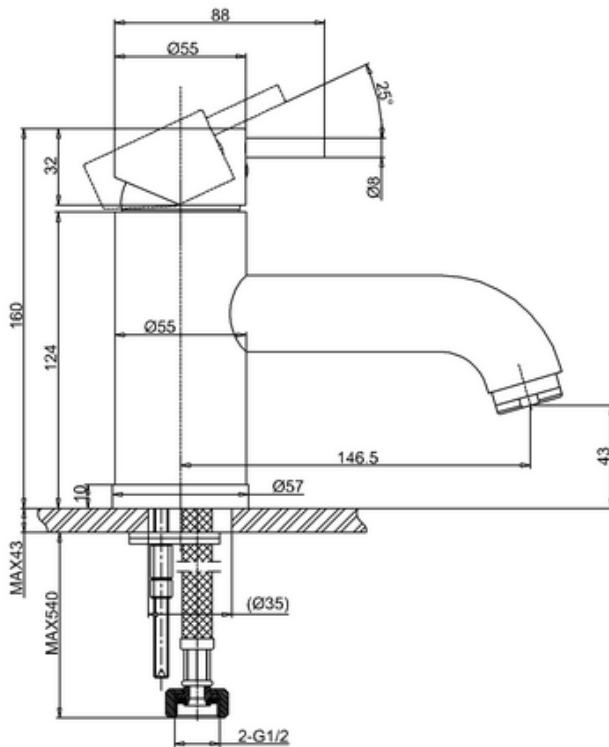




bathstore

20004010516 - METRO MONO BATH FILLER - DL310DC



Note:

For the each part, the dimension tolerance should be followed the list below.

| | | | |
|---------|-----------|-----------|------------|
| 0 ~ 100 | 101 ~ 200 | 201 ~ 400 | ≥ 401 |
| ± 1 | ± 2 | ± 3 | ± 5 |

For the finished assembly, the dimension tolerance should be followed the list below.

| | |
|---------|------------|
| 0 ~ 300 | ≥ 301 |
| ± 2 | ± 5 |