



COAST BATH FILLER

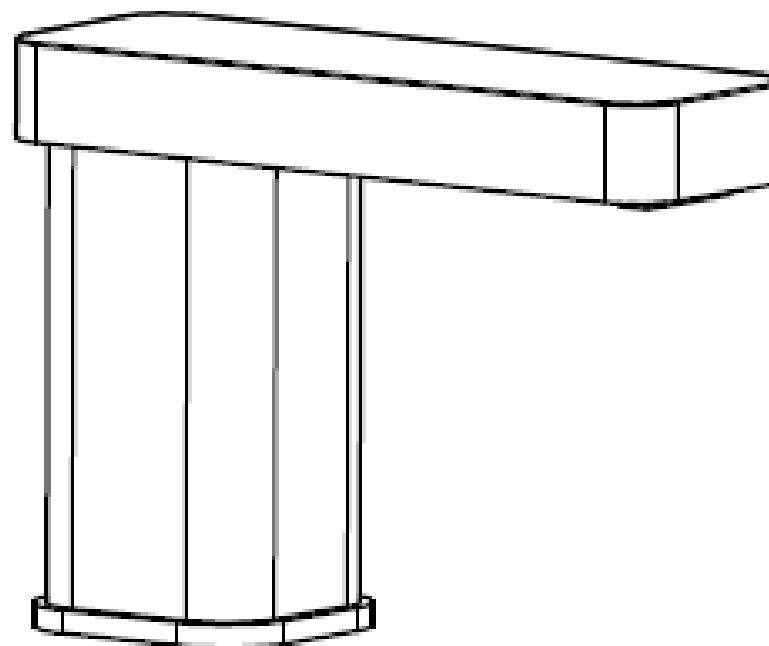
ART. 20009000970

INSTALLATION INSTRUCTION

CONTROL COUPON

BATCH: _____

KEEP THIS COUPON FOR THE GUARANTEE



For any further information please contact
Bathstore on: **08000 232323**

Or visit our website at www.bathstore.com

The manufacturer reserves the right to make technical
modifications without prior notice.



PS22571

INTRODUCTION

Please read these instructions carefully and keep in a safe place for future reference.

General Installation Requirements

The installation must comply with regulations of the Local Water Authority as contained in their bylaws. All of the taps in this range are single flow (the hot and cold water mix in the body) and should therefore be supplied with hot and cold water at balanced pressures, both from the tank or both from the mains (via a combination boiler for example). If the taps are not supplied at balanced pressures then the mixer will not function correctly.

It is also necessary to fit non-return valves on both hot and cold feeds. It is very important that all pipe work is flushed thoroughly after installation to avoid damaging the ceramic discs.

Minimum/Maximum working pressure

Although this mixer will work with a reduced flow down to 0,2 BAR (2 Meter tank head), the optimal working pressure is 1-3 BAR (mains pressure).

The maximum water pressure is 6 BAR (Note: mains cold water is normally between 2 and 3 Bar). For installation where the mains pressure exceeds 6 Bar a pressure Reducing valve should be fitted.

Approvals

All products are manufactured using materials tested and approved to the European standard EN200 (2008).

Preparation and bylaw requirements

These taps are single flow so the hot and cold water mix in the body. Water bylaws require that where the hot water is supplied from a tank and cold from the mains, non return valves are fitted on both hot and cold pipes as close as possible to the tap. These are not supplied. Where combination boilers are fitted it is only necessary to shut off the incoming mains and turn the boiler off, non return valves are not required.

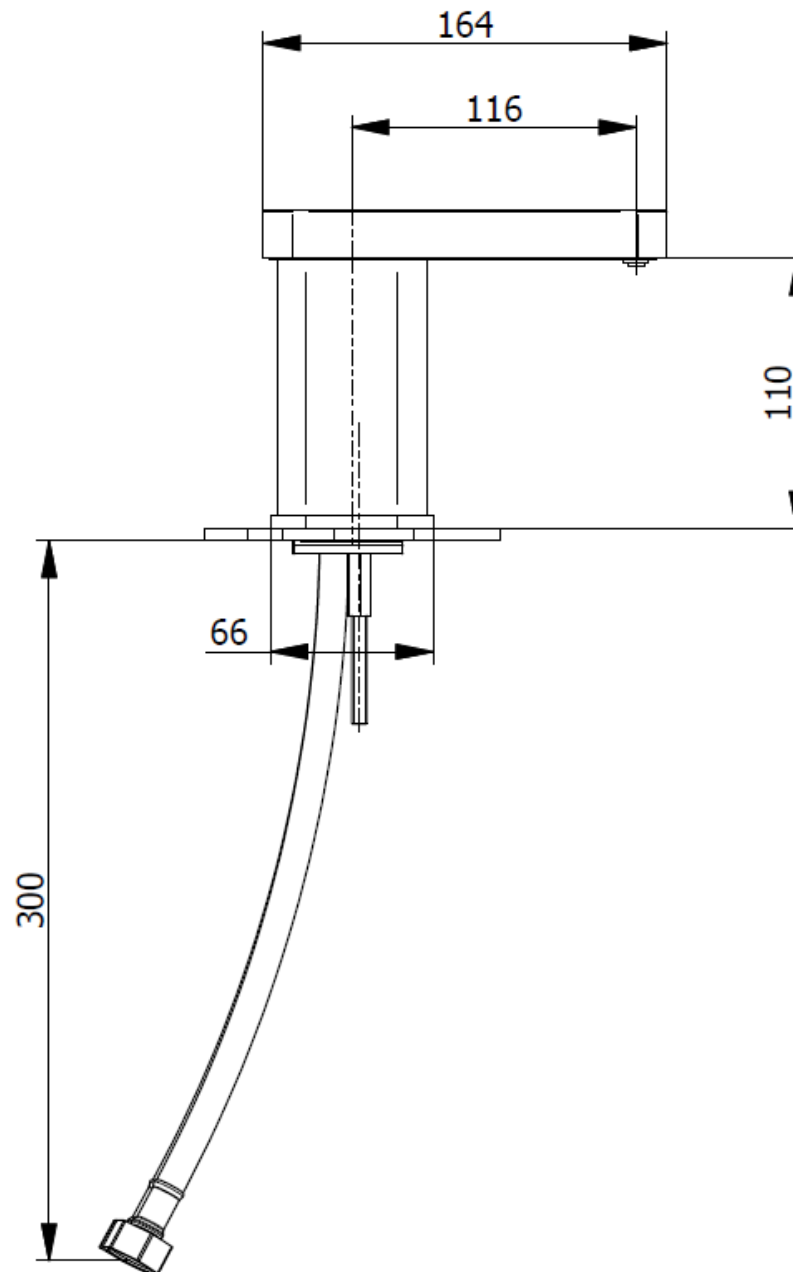
WARNING

Before installing the new mixer it is essential that you thoroughly flush through the supply pipes in order to remove any remaining swarf, solder or other impurities.

Failure to carry out this simple procedure could cause problems or damage to the workings of the mixer.

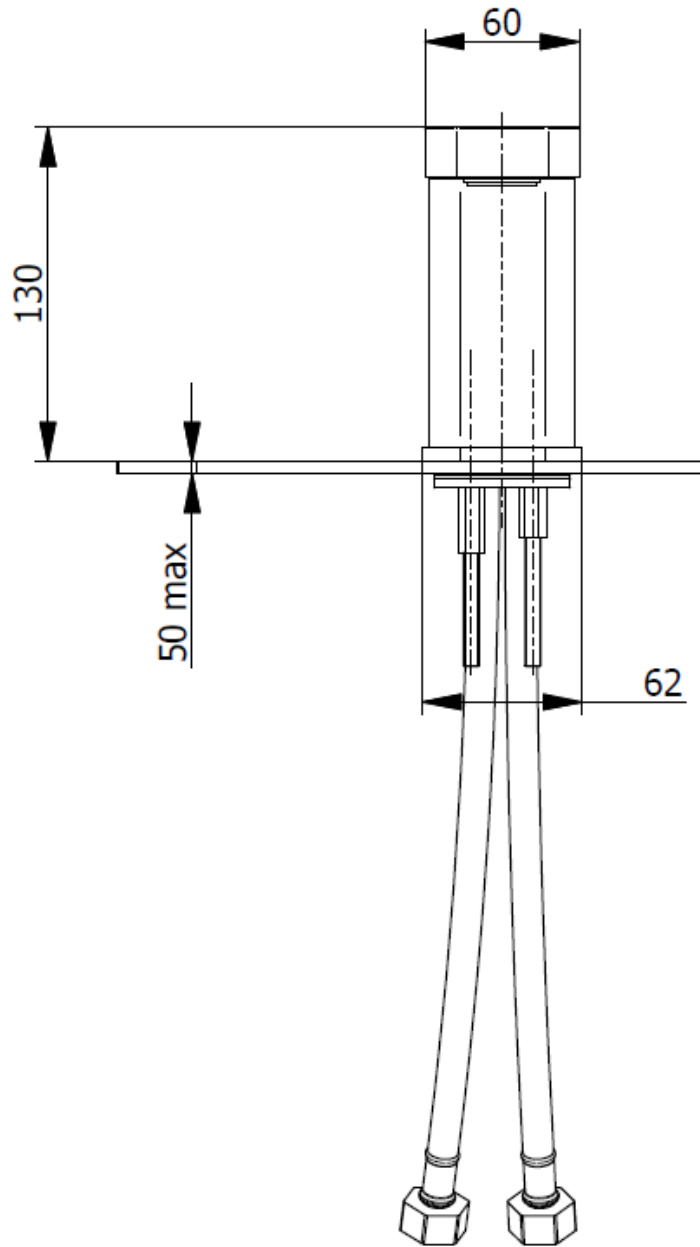
We do not accept responsibility for any problems that may occur through incorrect installation.

DIMENSIONS



NOTE: ALL DIMENSION ARE IN MM

DIMENSIONS



NOTE: ALL DIMENSION ARE IN MM

MAINTENANCE

CLEANING THE CARTRIDGE

The concealed cartridge should give trouble free service, but in the event of any problems, servicing is straight forward.

To remove the cartridge.

First shut off the water supply to the tap.

Using an Allen key (3mm), undo the screw, and lift off the cover; unscrew the bush holding down the cartridge and remove the cartridge. Unscrew the spherical teflon knob from the cartridge.

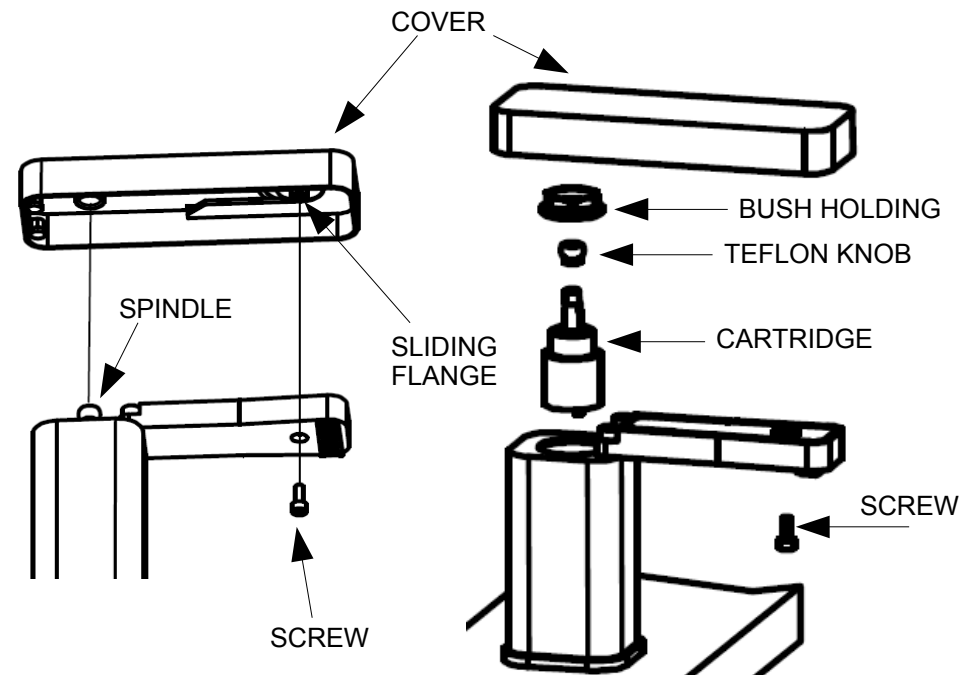
To re-assemble, follow the above procedure in reverse order taking care, while positioning the cover, so that the cartridge spindle is in the vertical position, and the sliding flange of the cover aligns with the screw.

Wash the cartridge with clean running water and make sure that any trapped debris has been removed. Clean with vinegar if there is a build up of limescale.

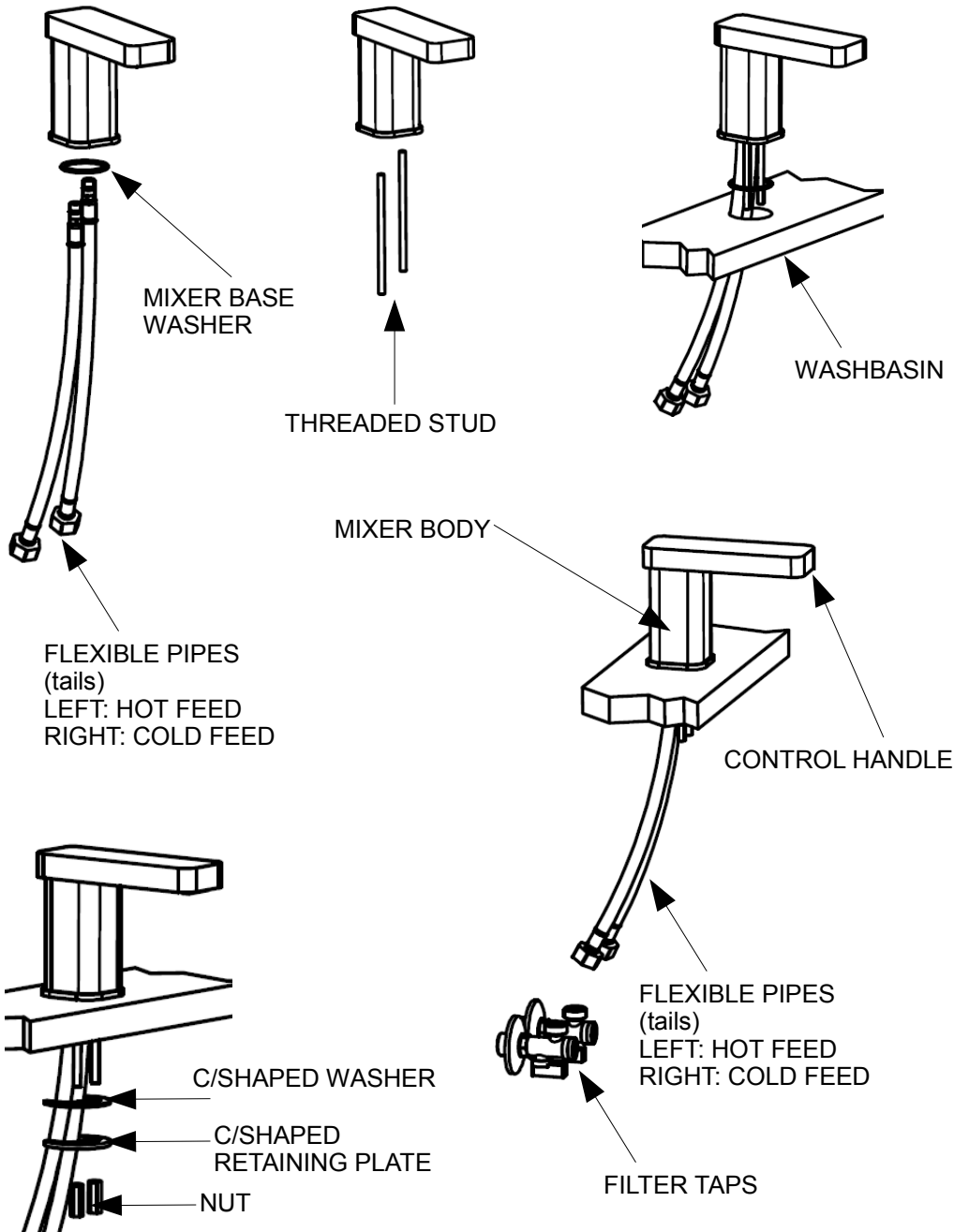
Dry and lightly grease the seals (only use silicone grease) and replace the cartridge, retaining nut, cartridge cover followed by the handle.

CLEANING

The chrome and gold plate we use on our taps is very durable, nevertheless care should be taken when cleaning them. They should be cleaned only with warm soapy water followed by rinsing with clean water and drying with a soft cloth. All finishes are vulnerable to acid attack and some strong substances such as household cleaners, disinfectants, denture cleaners, hair dyes, wine making and photographic chemicals can cause the surface to go black or peel.



INSTALLATION



INSTALLATION

First shut off your water heating system then, with your mains stop cock closed, open the lowest hot and cold taps in the house and allow to run until the cold storage tank and pipes are empty (the hot water storage cylinder always remains full). Fitting isolating valves to the inlet feeds is recommended for ease of maintenance.

INSTALLATION



Remember to turn off the mains water supply before connecting to any existing pipe work.

MIXER

Fit the mixer base washer into the groove in the underside of the mixer body, screw the flexible pipes into the mixer body, and fully hand tighten. Place mixer in position to see if any alteration to the existing supply pipe work is necessary, make any necessary alterations to the pipe work.

Remove the nuts from the threaded studs and screw into the base of the mixer body.

Pass the tails and fixing studs through the hole in the bath from above, and place the mixer in position on the bath.

Slide the C-shaped washer and then the C-shaped retaining plate up the tails and onto the threaded studs, screw on the nuts, finger tight to secure the mixer.

Check that the mixer body is correctly positioned and tighten the fixing nuts. The tap needs to be fixed firmly, but do not over tighten as damage may be caused to the bath.

ATTENTION

Having first checked all new connections, turn on the mains stop cock, close all taps

except the new mixer and as the system starts to refill check for leaks.

Once you have satisfied yourself that there are no leaks, switch on the water heating.