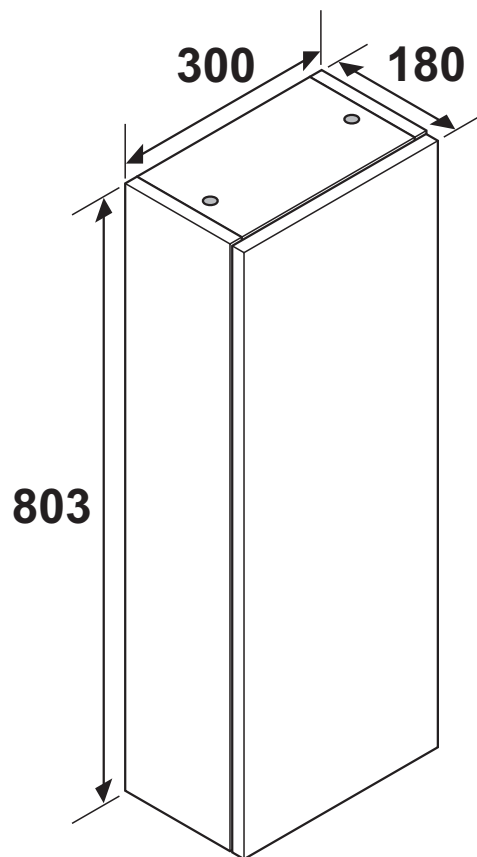
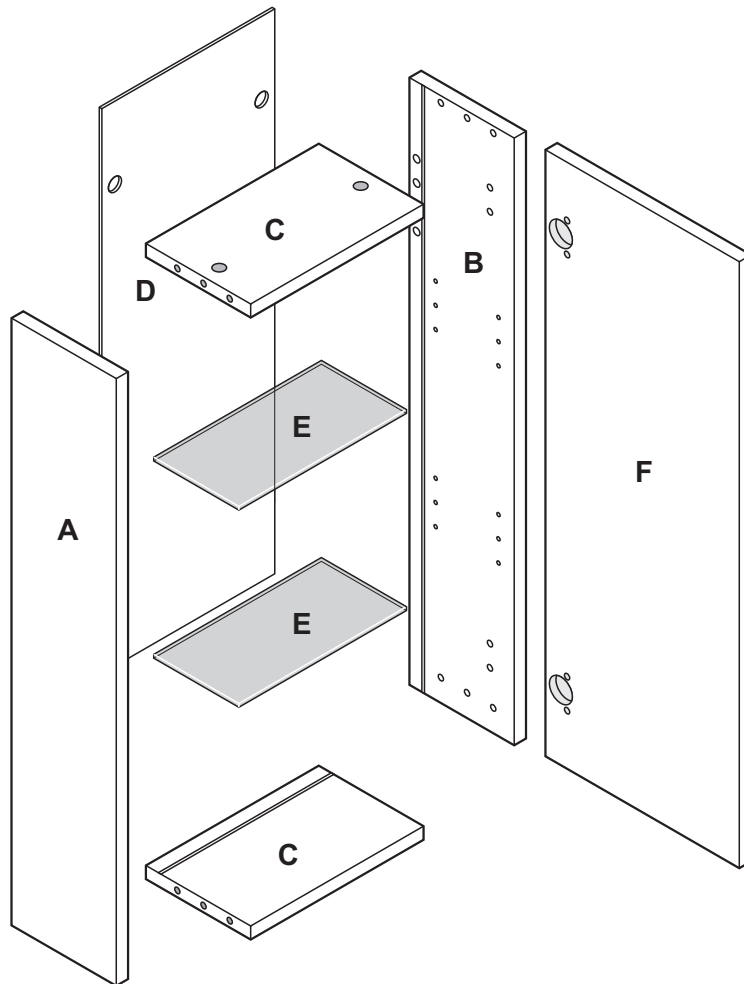
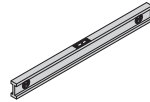


MyPlan 300 Wall Unit Assembly Instructions 41405018710



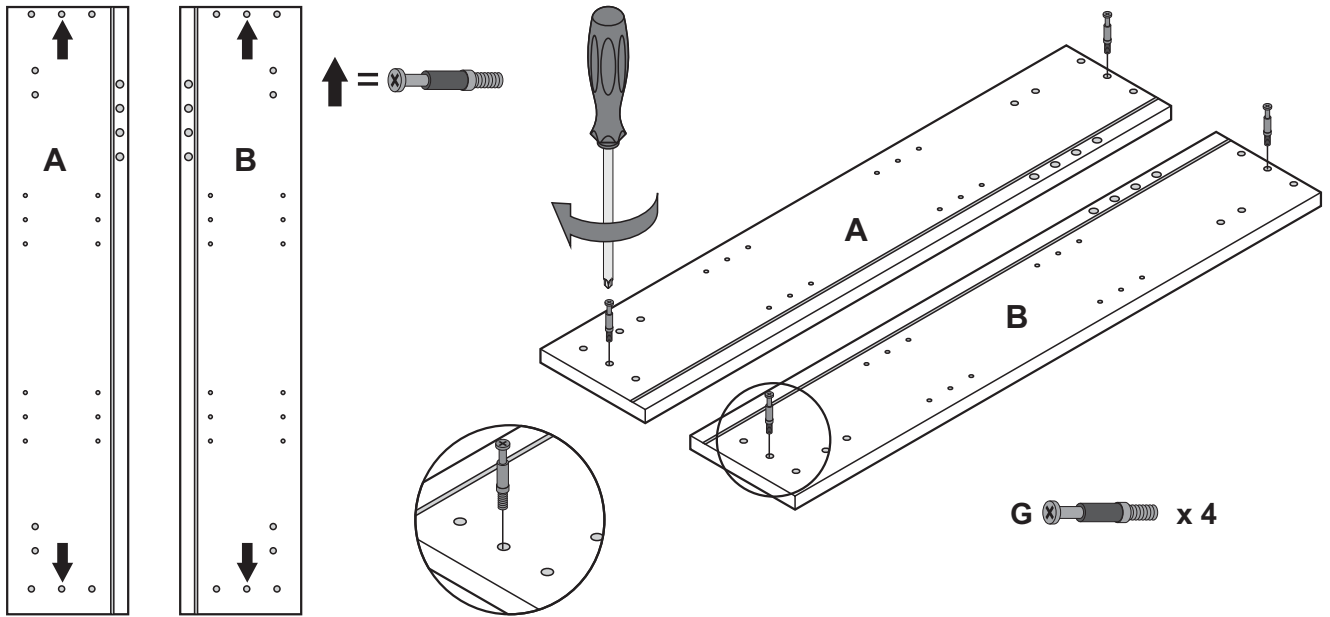
Width 300mm
Depth 180mm
Height 803mm

- **Important:** Supplied wall fixings are for solid masonry walls. Please make sure that the fixings you use are suitable for the wall and that the wall is strong enough to support the furniture.
- **White units** have protective film on the front and side panels, please remove this film after installation.

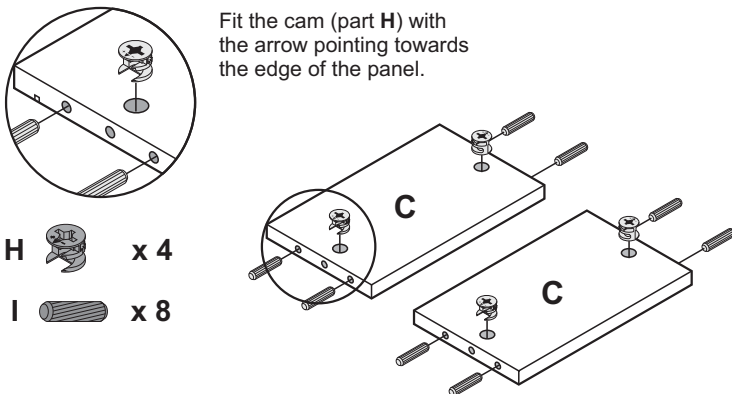
Tools Required:


CODE	SIZE (mm)	QTY	CODE	DIAGRAM	QTY	CODE	DIAGRAM	QTY
A	803 x 160 x 18 (LH)	1	G		4	N		2
B	803 x 160 x 18 (RH)	1	H		4	O	Snap apart	1
C	264 x 160 x 18	2	I		8	P		2
D	752 x 276 x 3	1	J		2	Q		1
E	258 x 130 x 6	2	K		2	R		4
F	803 x 298 x 18	1	L	ST4 *14mm	4	S		4
			M		8	T		4

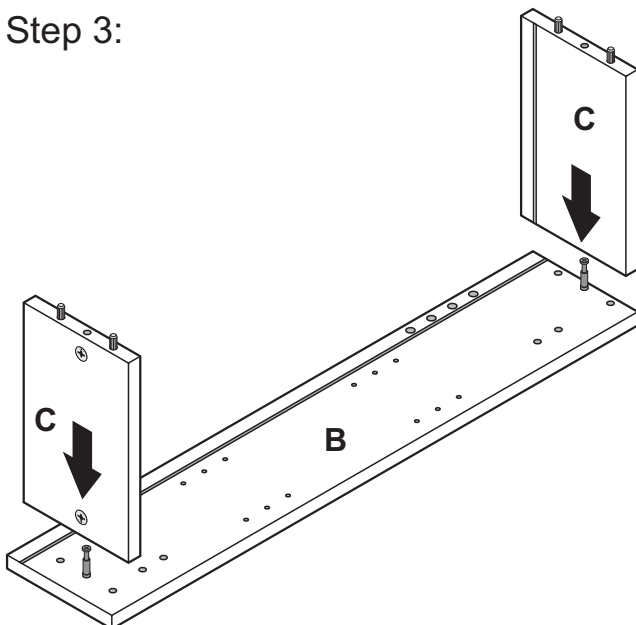
Step 1:



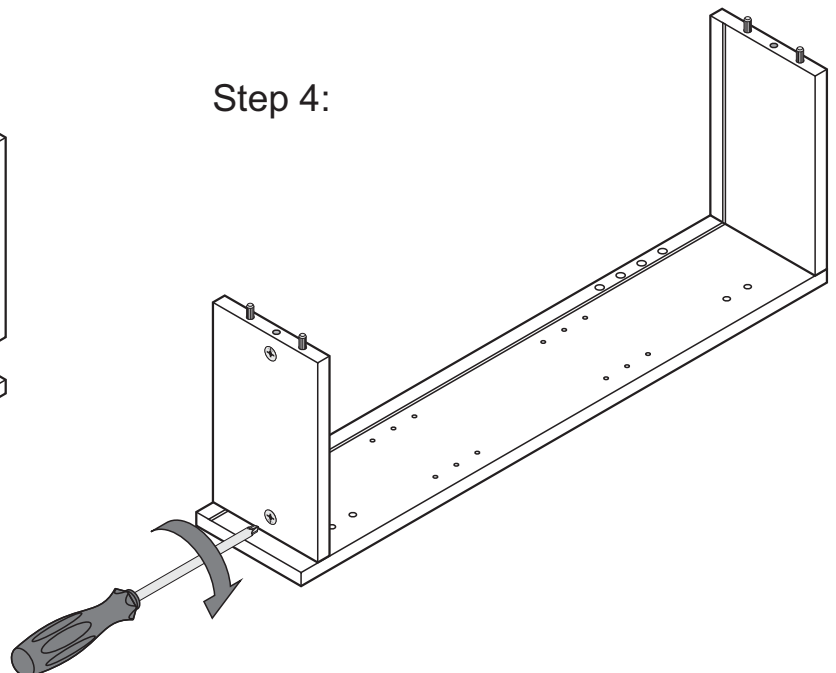
Step 2:



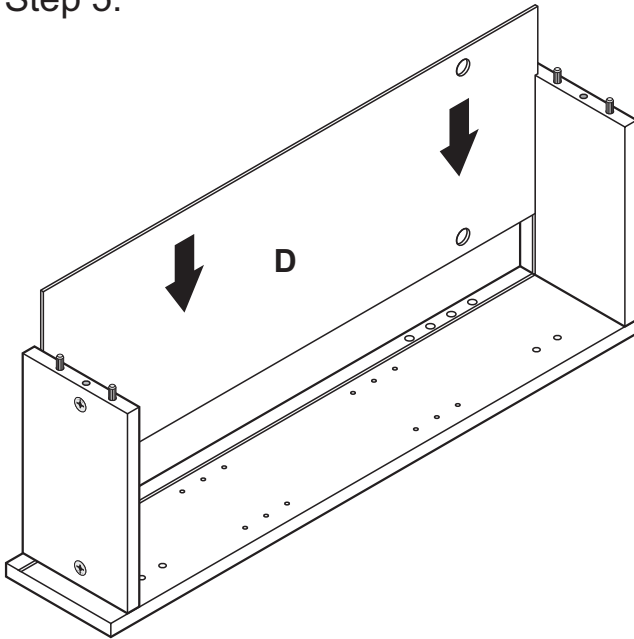
Step 3:



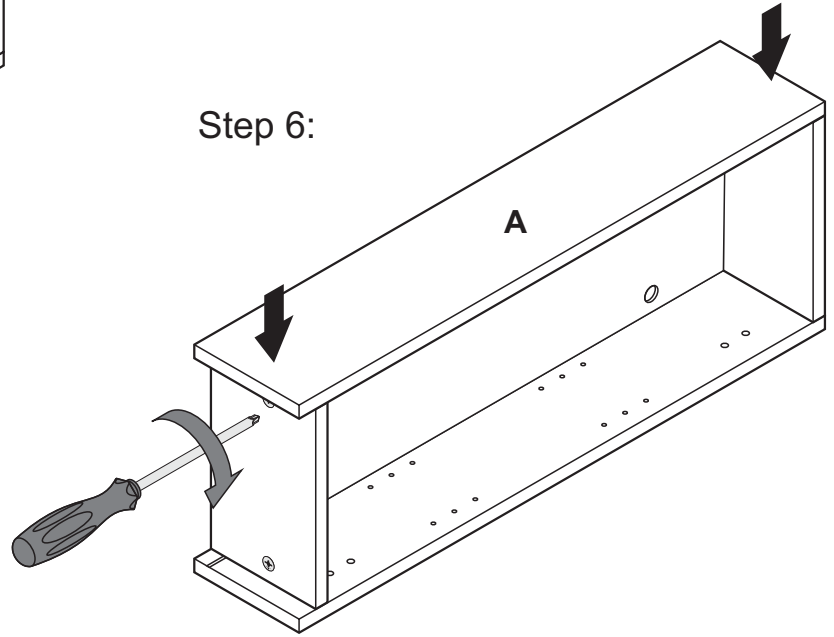
Step 4:



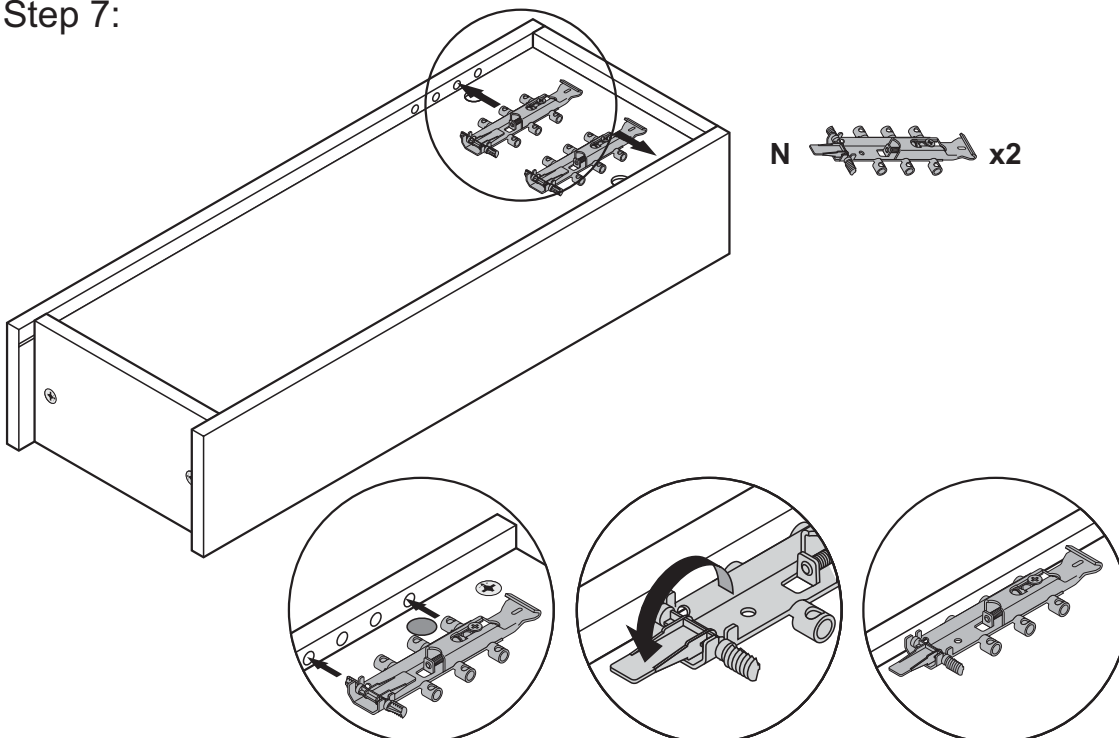
Step 5:



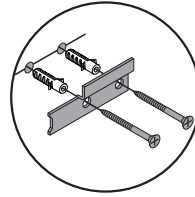
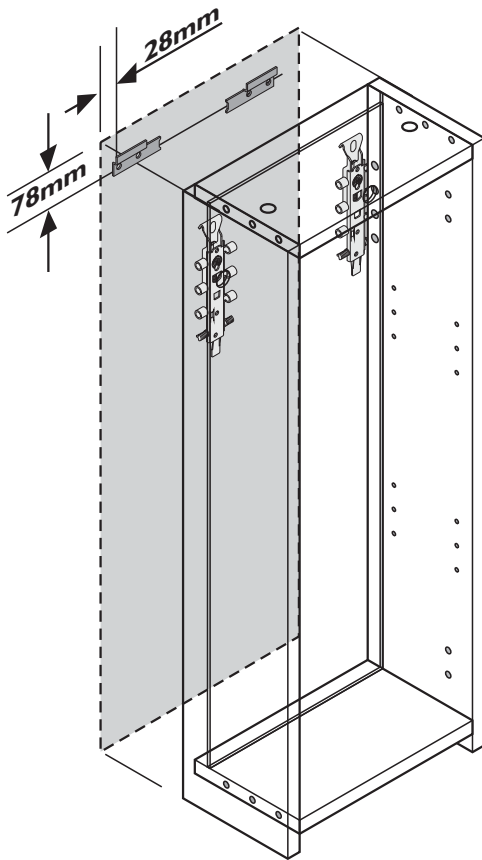
Step 6:



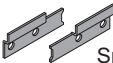


Step 7:



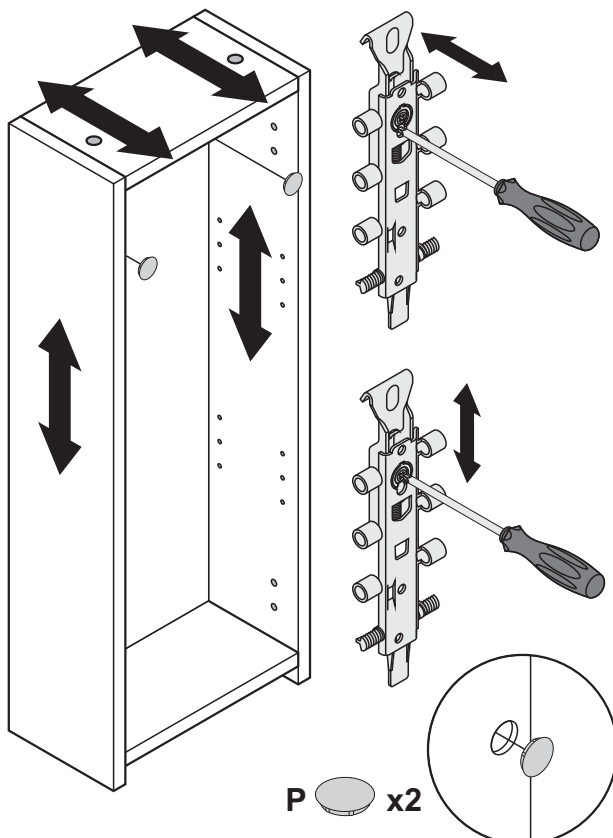
Step 8:



The wall fixings supplied may not be suitable for your installation. You may need to source alternatives depending on the material and strength of the wall.

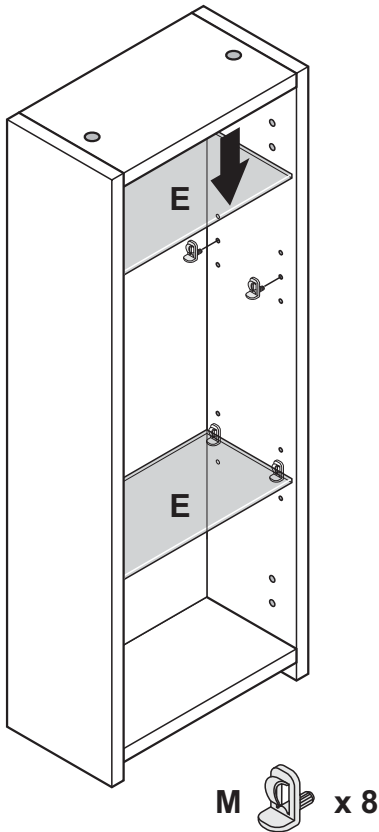
- O**  **x1**
Snap apart
- R**  **x4**
- S**  **x4**
ST5 *50mm

Step 9:

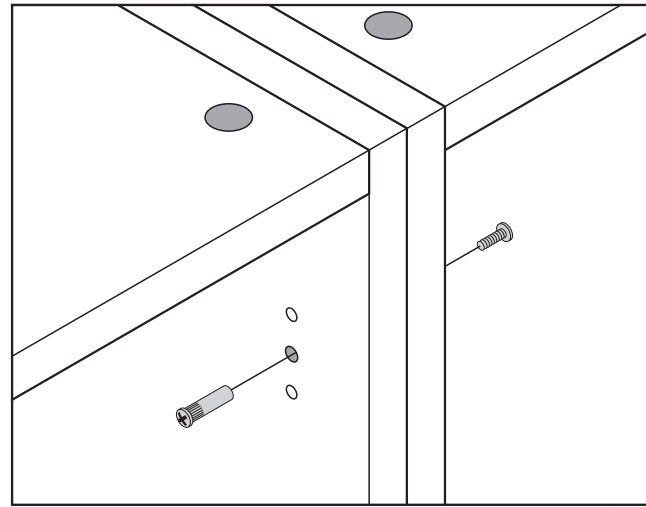


P  **x2**

Step 10:



Step 11:



Q  x1

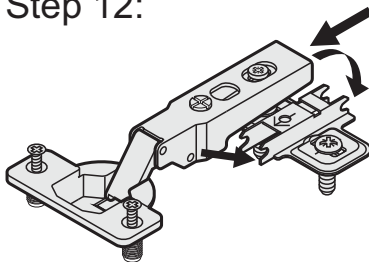
Once the units have been installed and levelled but before fully tightening the wall fixings, they should be joined together using the joining bolts (Q) to give extra strength.

Note: Before drilling ensure that you avoid any runners, hinges, shelves or pipe work.

Joining bolts can be hidden under the hinge plates if both units have hinges in the same position.

Carefully drill small pilot holes ($\text{\O}3\text{mm}$) through the sides of both units. Drill full size holes ($\text{\O}6\text{mm}$) part way through one side then finish off by drilling through from the other side. This will avoid splintering the wood veneer. Once the units are joined together, fully tighten the wall fixings.

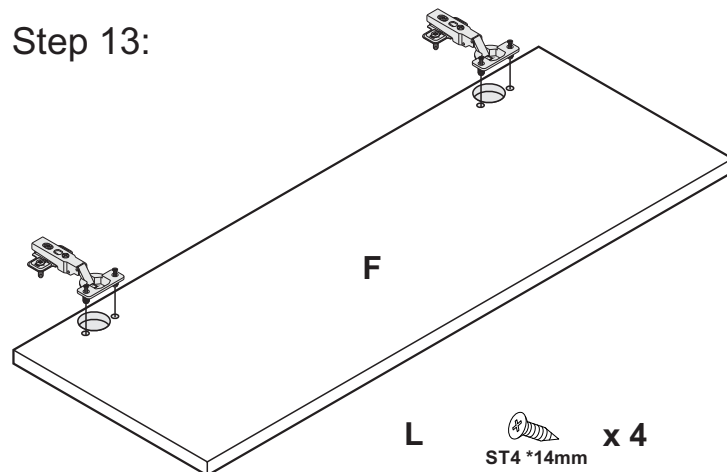
Step 12:



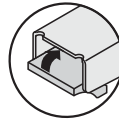
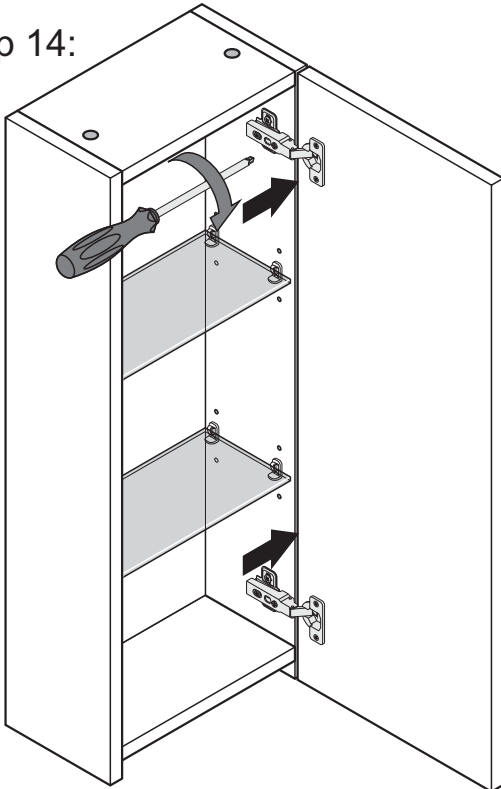
J  x 2

K  x 2

Step 13:



Step 14:



Hinge release:

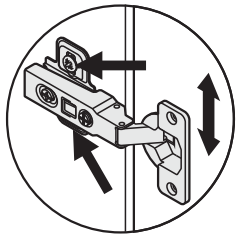
To release the hinge from the hinge plate, squeeze the button on the end of the hinge.

Step 15:

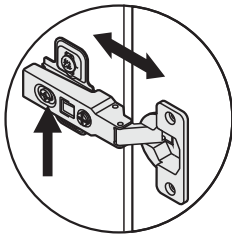
Door Adjustment:

The doors may need adjustment to fit correctly. For vertical adjustment, both screws need to be slackened.

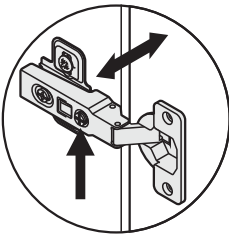
Vertical



Lateral



Horizontal



T  x4

