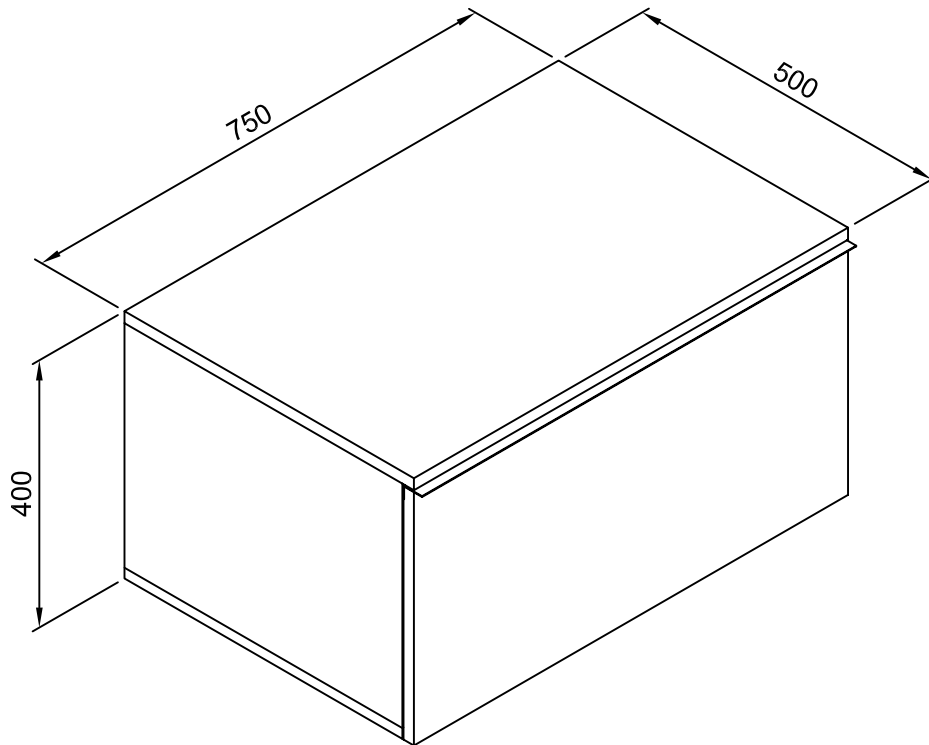


DUO BOX 750 DRAWER UNIT Assembly Instructions

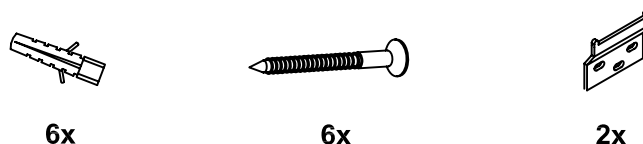


Width 750mm
Depth 500mm
Height 400mm

Tools Required:



Parts Required:



Care and Maintenance

Please leave with the householder

This furniture is made of wood, and has a water resistant finish. It should not be left wet, and the quality of the finish is best maintained if it is wiped with a dry cloth after use. It should only be cleaned using a soft damp cloth followed by a dry cloth. Do not use bleach or any abrasive cleaner.

Step 1: To achieve an installed height with basin of 850mm from the floor, please refer to the following diagram.
 The wall fixings supplied may not be suitable for your installation. You may need to source alternatives depending on the material and strength of the wall you are fixing to.

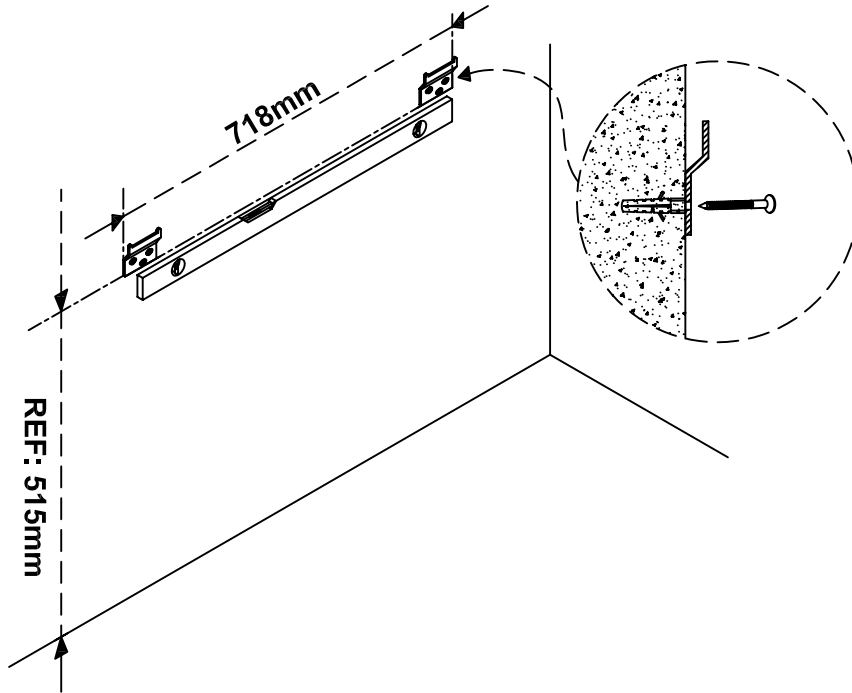



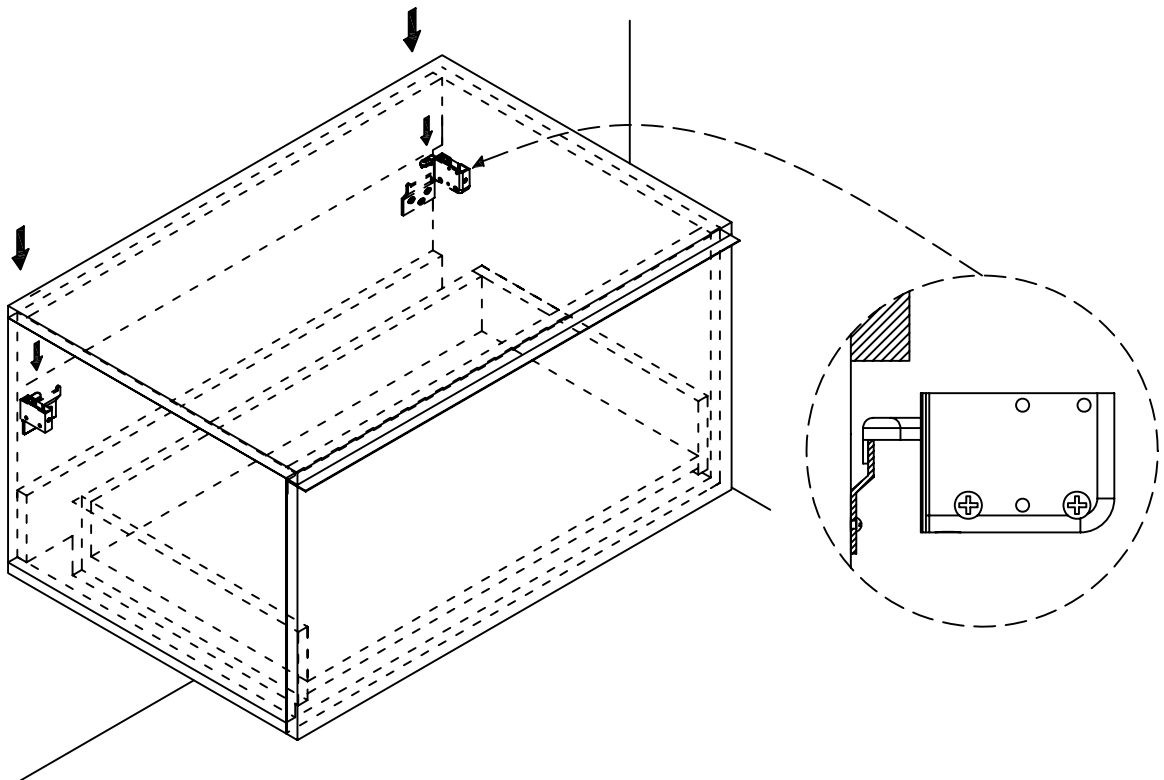
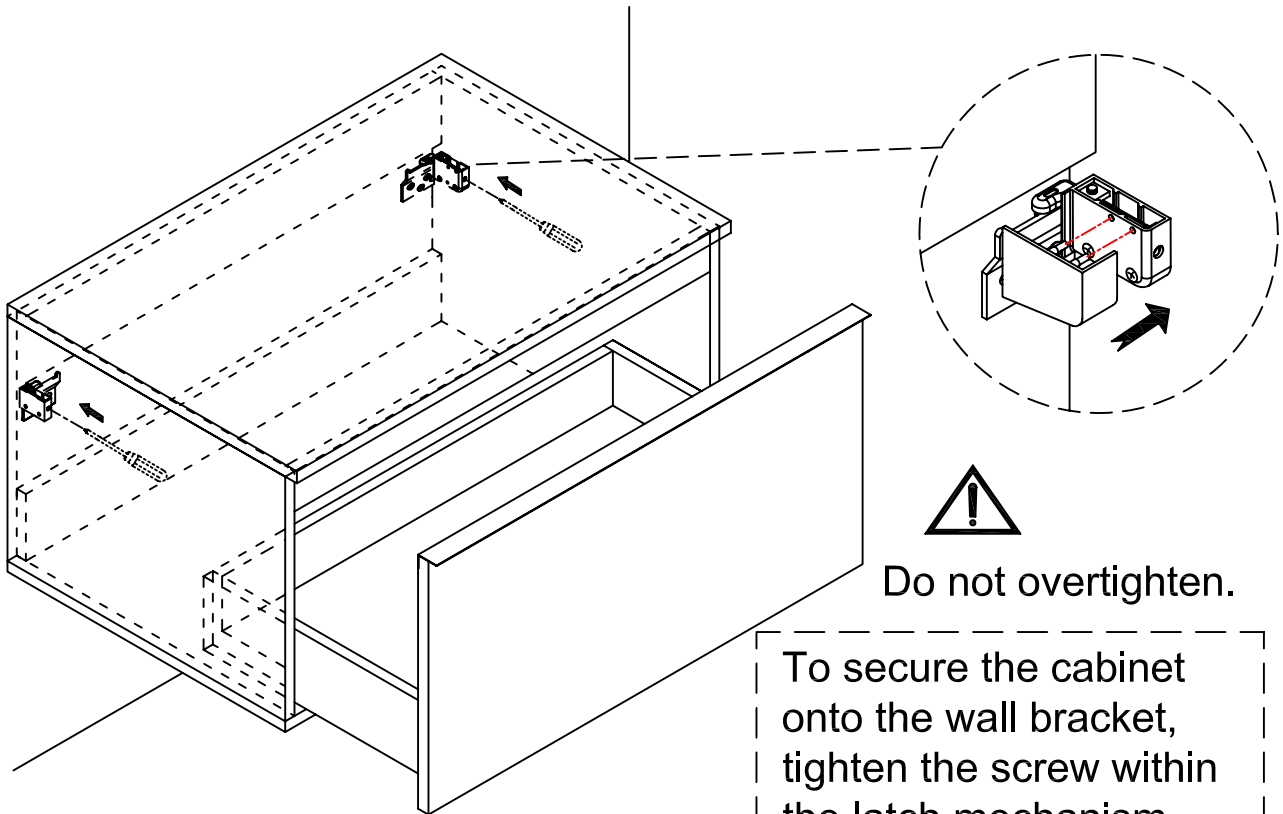


DIAGRAM	QTY
	x6
	x6
	x2

Step 2:



Step 3:


Do not overtighten.

To secure the cabinet onto the wall bracket, tighten the screw within the latch mechanism.

Only if adjustment is required !
Cabinet Adjustment

Following the method shown in below diagrams the cabinet can be adjusted for level by 5mm.

