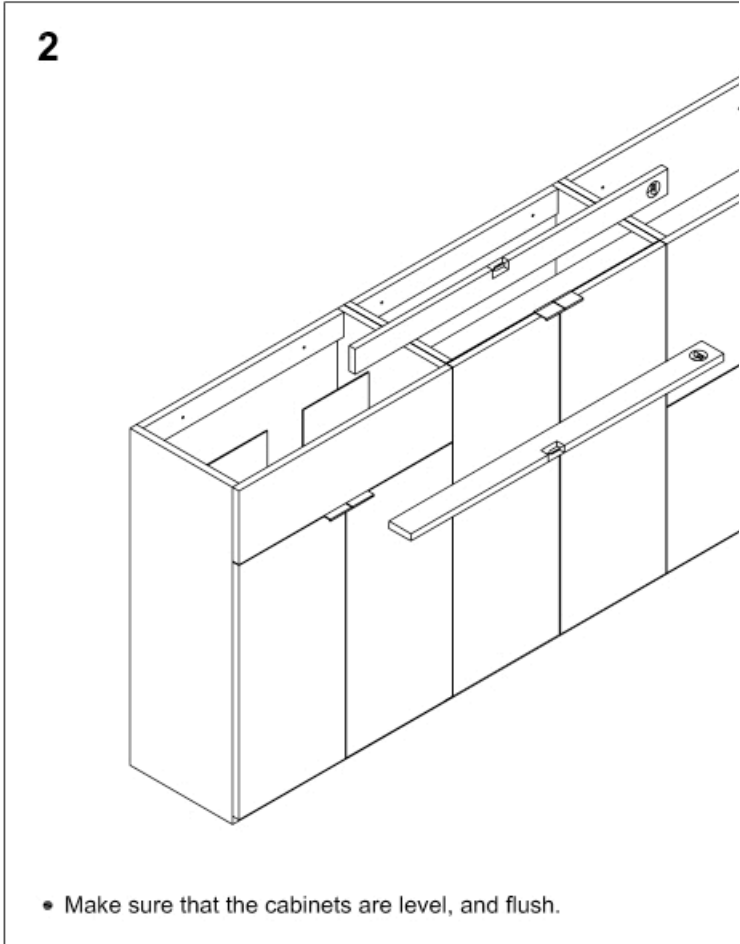
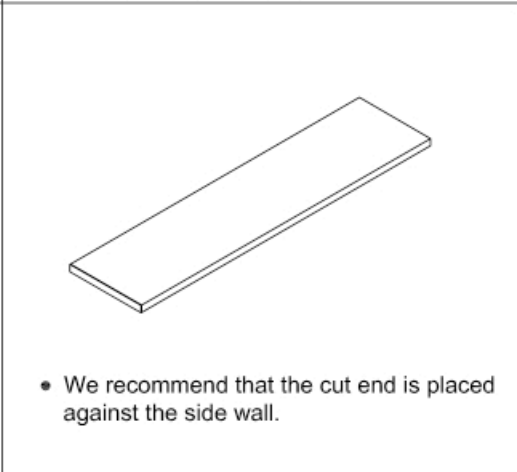
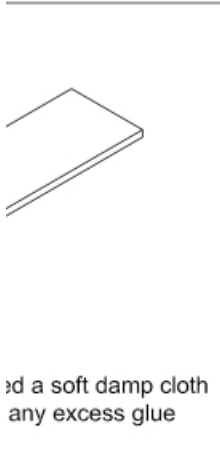
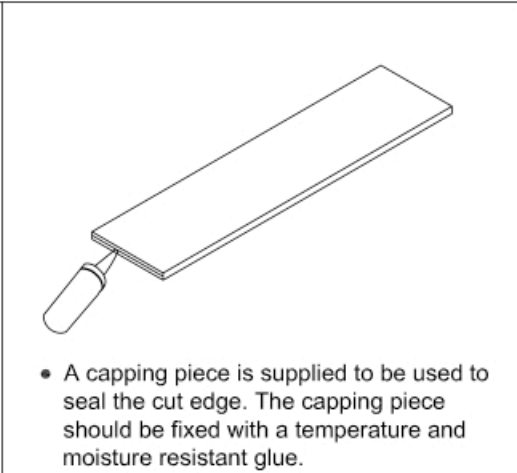
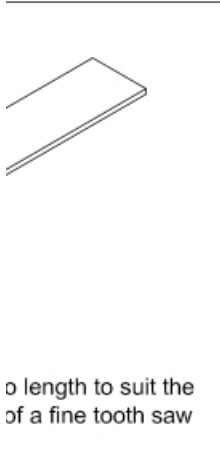
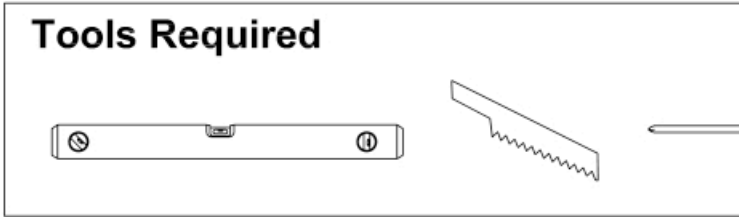
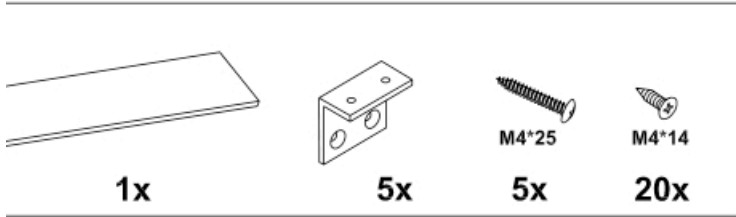
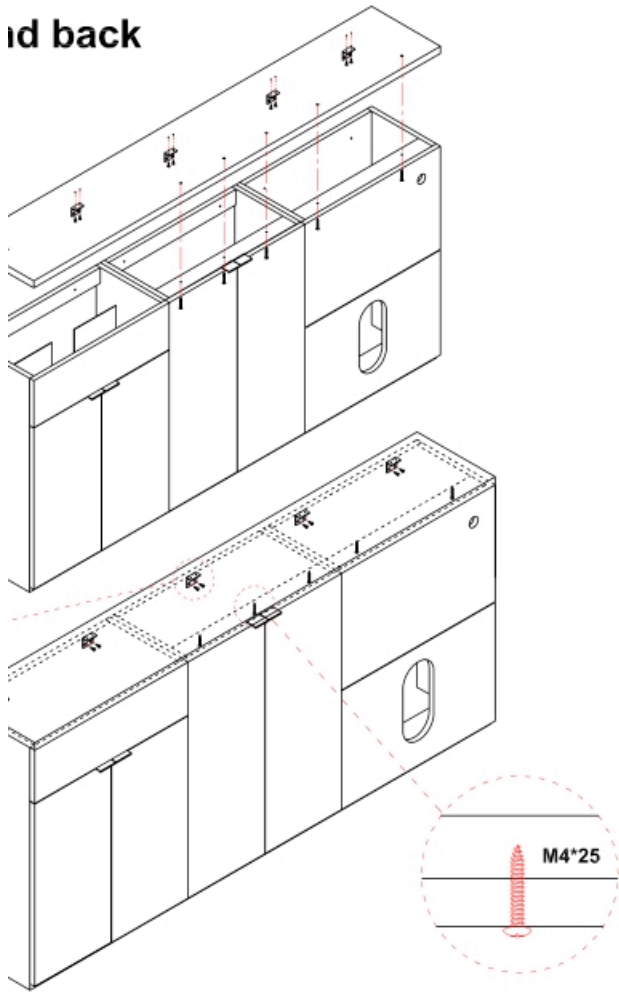


100 Worktop Instructions

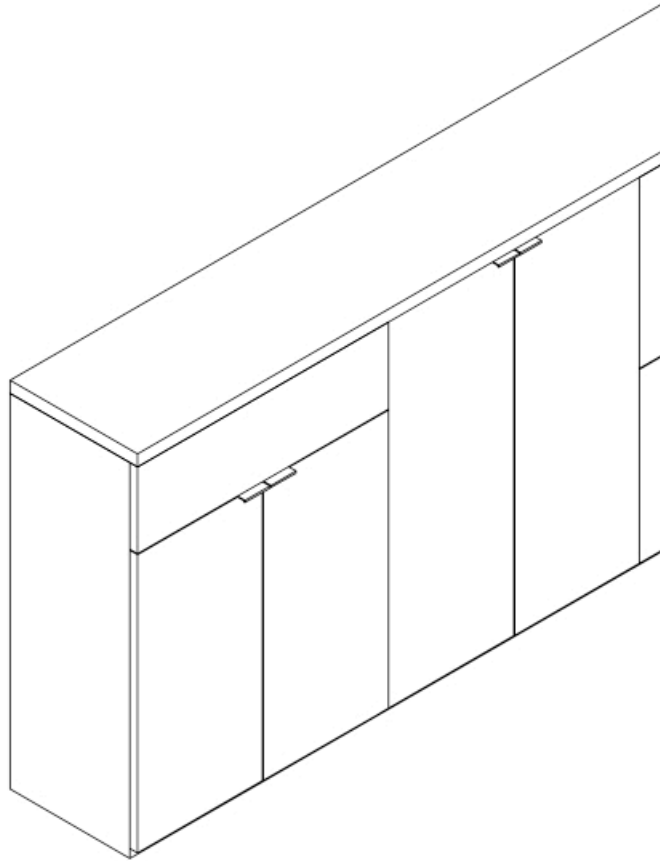


id back



ire run use the brackets and fixing screws to secure the worktop as
rktop is firmly secured to the furniture carcass both front and back.

4



- The worktop should be cleaned using a soft damp cloth with a mi
use any abrasive agents.

ice
ouseholder

wood, and has a water resistant finish. It should not be left wet. The quality of the finish is best maintained if it is wiped
e cleaned using a soft damp cloth followed by a dry cloth. Do not use bleach or any abrasive cleaner.