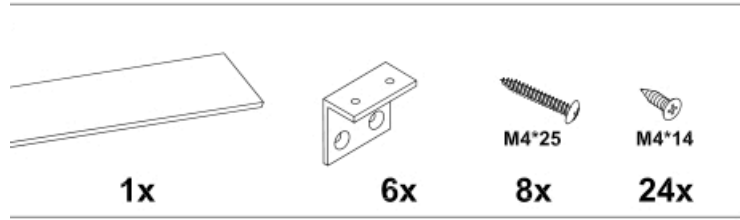
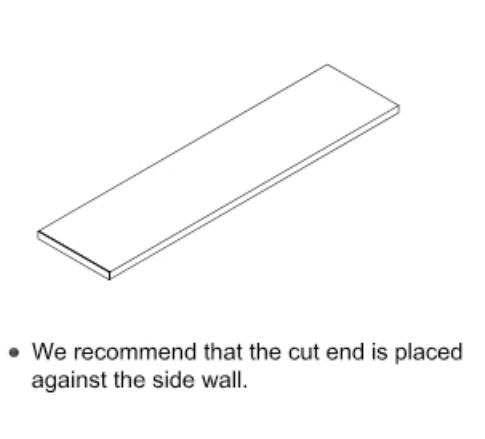
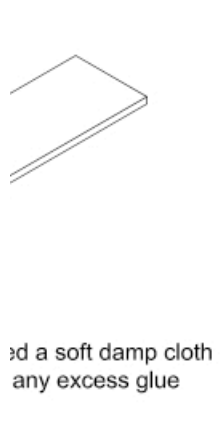
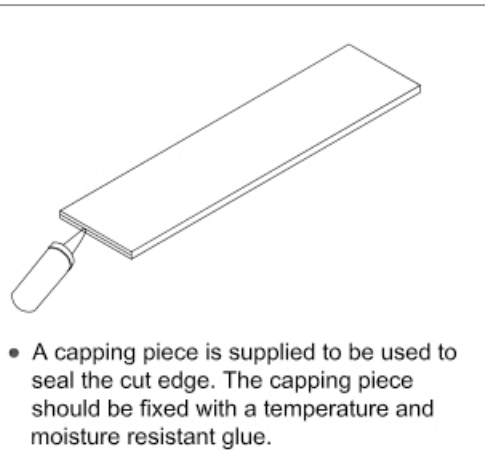
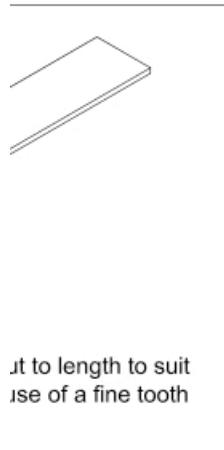


00 Countertop Instructions

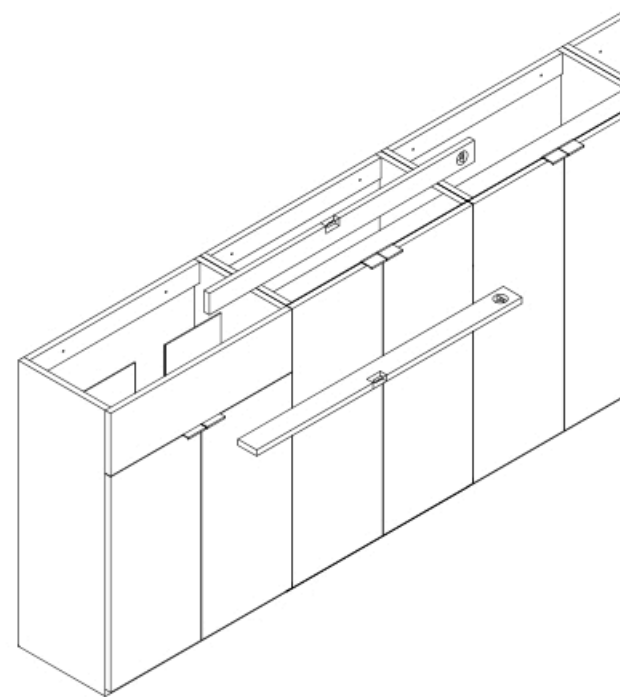
Protective film on the front and side panels, please remove this film after installation.



Tools Required

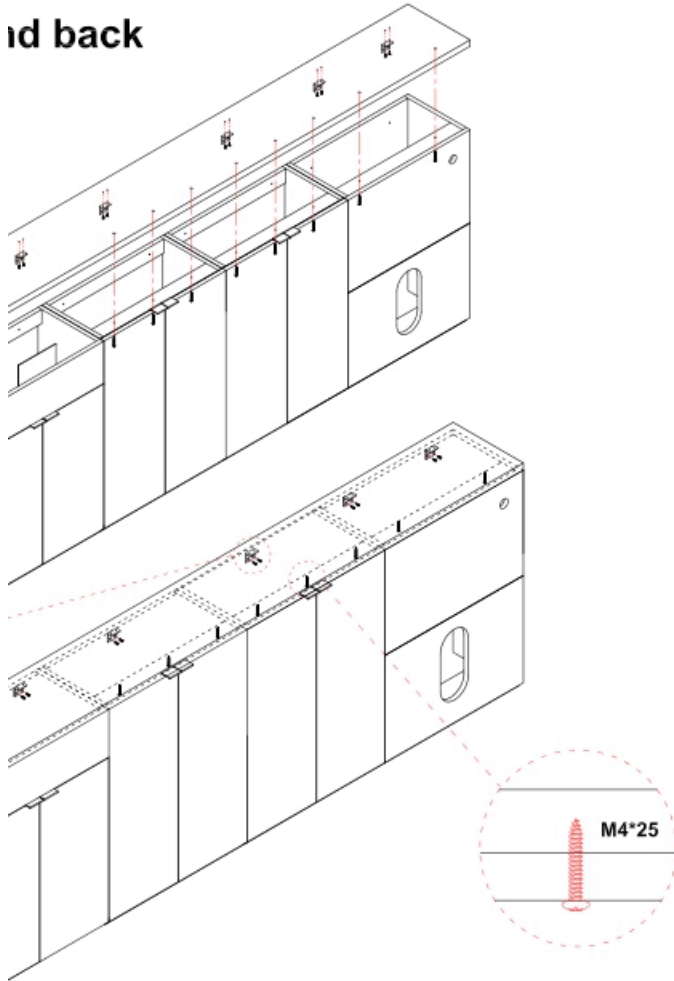


2



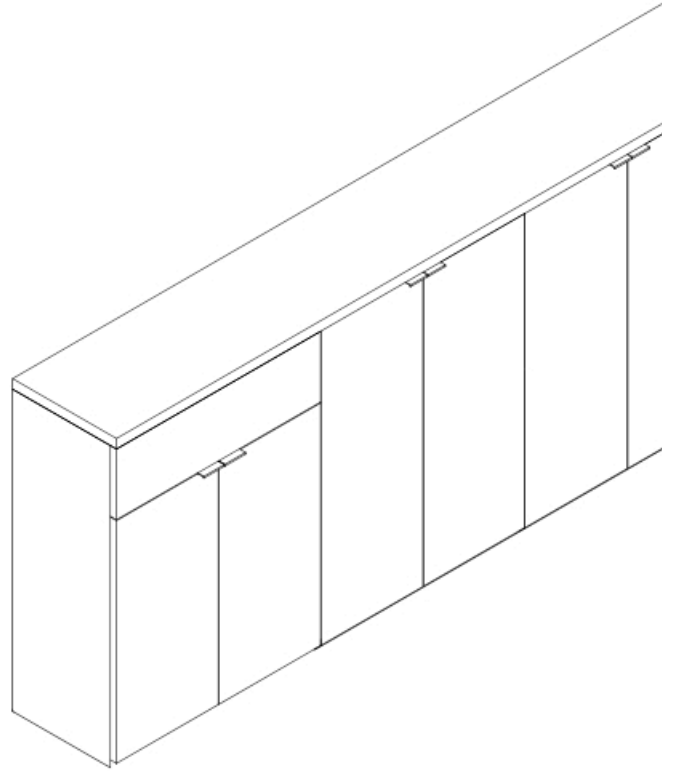
- Make sure that the cabinets are level, and flush.

id back



are run use the brackets and fixing screws to secure the countertop
i.
ntertop is firmly secured to the furniture carcass both front and back.

4



- The countertop should be cleaned using a soft damp cloth with a use any abrasive agents.

ICE

ouseholder

wood, and has a water resistant finish. It should not be left wet. The quality of the finish is best maintained if it is wiped
be cleaned using a soft damp cloth followed by a dry cloth. Do not use bleach or any abrasive cleaner.