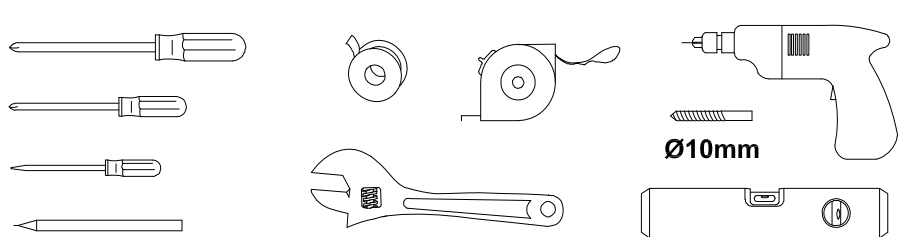
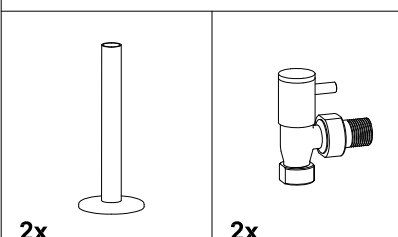
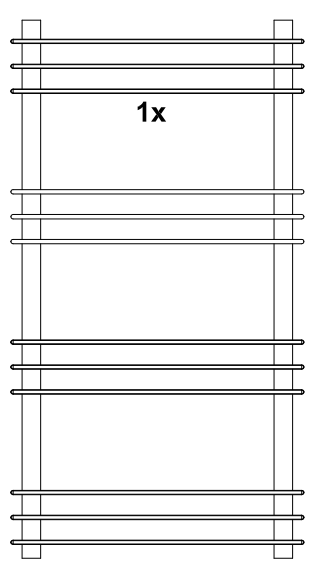







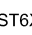















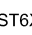








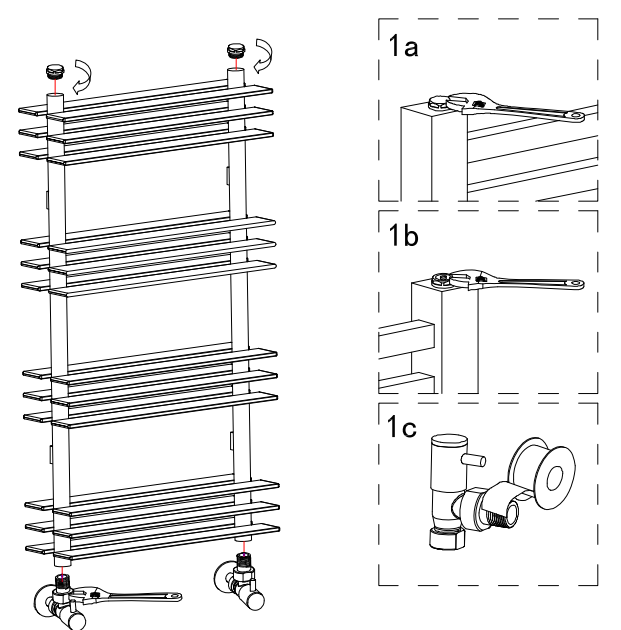







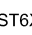








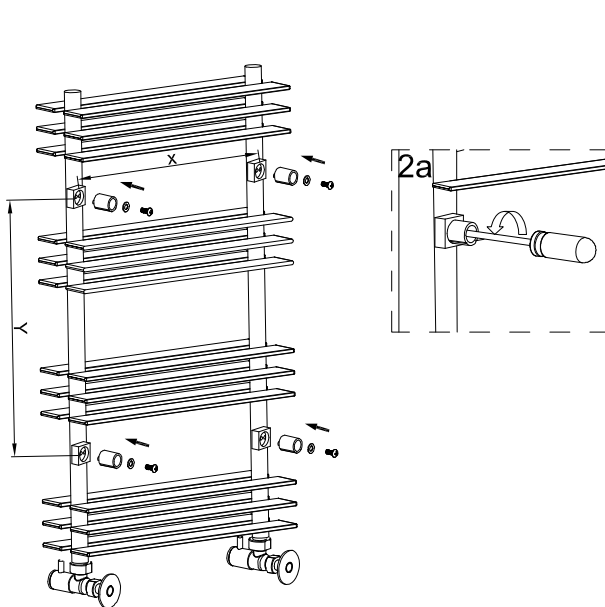
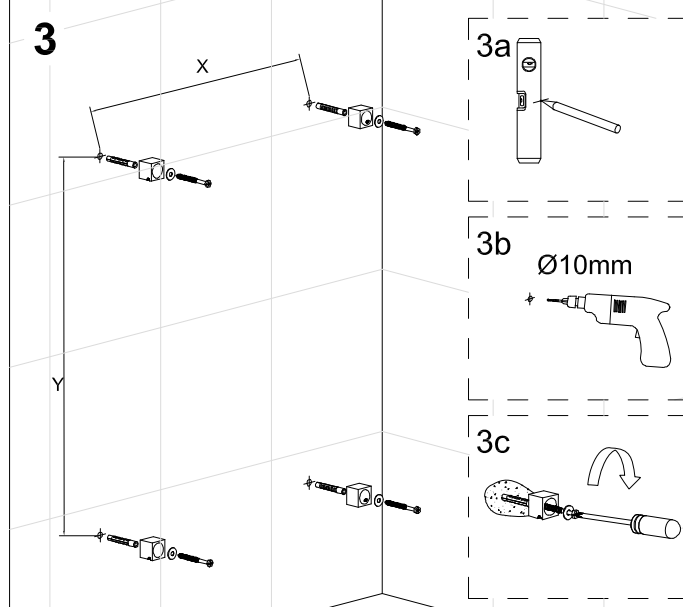


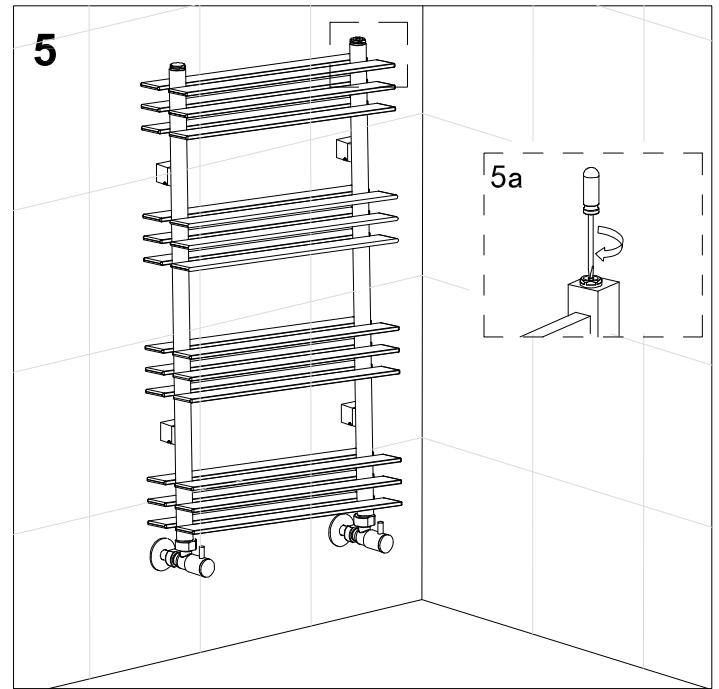
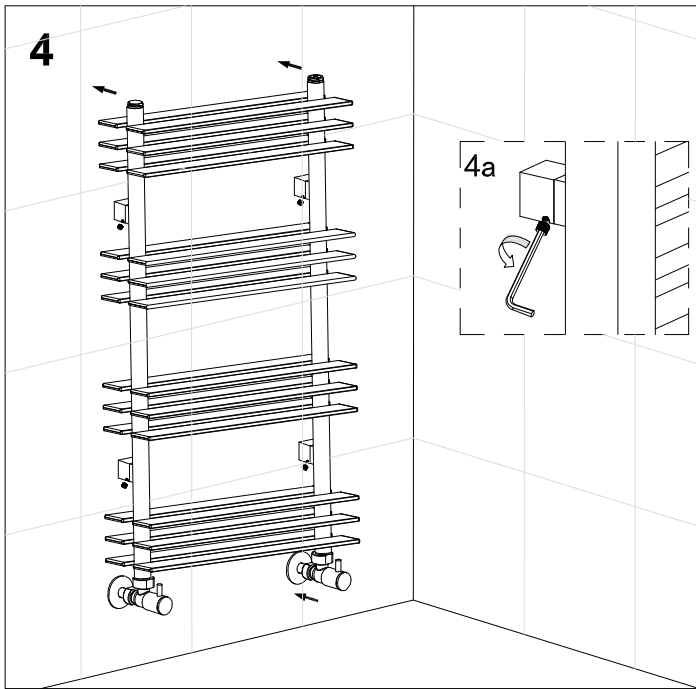
TOOLS REQUIRED:	PARTS REQUIRED:
	
	2x 2x

Platform Stackable Towel Radiator Installation Instruction

- review instructions carefully before installation
- installation should be completed by a suitably qualified person
- please dispose of packaging in a responsible manner
- This radiator weighs 30Kgs, and when installed is likely to have several towels on it which can add significantly to the load. It is important that the radiator is securely fitted to a load bearing wall with the correct fixings. The fixings supplied are suitable for solid masonry walls only. Please check the wall construction before installing.

	<table style="width: 100%; border-collapse: collapse;"> <tr><td></td><td style="text-align: right;">1x</td></tr> <tr><td></td><td style="text-align: right;">1x</td></tr> <tr><td></td><td style="text-align: right;">4x</td></tr> <tr><td></td><td style="text-align: right;">4x</td></tr> <tr><td></td><td style="text-align: right;">4x</td></tr> <tr><td>M6X12mm</td><td style="text-align: right;">4x</td></tr> <tr><td></td><td style="text-align: right;">4x</td></tr> <tr><td>ST6X65mm</td><td style="text-align: right;">4x</td></tr> <tr><td></td><td style="text-align: right;">4x</td></tr> <tr><td></td><td style="text-align: right;">4x</td></tr> <tr><td></td><td style="text-align: right;">4x</td></tr> <tr><td></td><td style="text-align: right;">4x</td></tr> <tr><td></td><td style="text-align: right;">4x</td></tr> <tr><td></td><td style="text-align: right;">4x</td></tr> <tr><td></td><td style="text-align: right;">4x</td></tr> <tr><td></td><td style="text-align: right;">4x</td></tr> <tr><td></td><td style="text-align: right;">4x</td></tr> <tr><td>M6X6mm</td><td style="text-align: right;">4x</td></tr> <tr><td></td><td style="text-align: right;">1x</td></tr> </table>		1x		1x		4x		4x		4x	M6X12mm	4x		4x	ST6X65mm	4x		4x		4x		4x		4x		4x		4x		4x		4x		4x	M6X6mm	4x		1x	<h3 style="margin: 0;">1</h3> 
	1x																																							
	1x																																							
	4x																																							
	4x																																							
	4x																																							
M6X12mm	4x																																							
	4x																																							
ST6X65mm	4x																																							
	4x																																							
	4x																																							
	4x																																							
	4x																																							
	4x																																							
	4x																																							
	4x																																							
	4x																																							
	4x																																							
M6X6mm	4x																																							
	1x																																							

<h3 style="margin: 0;">2</h3> 	<h3 style="margin: 0;">3</h3> 				
	<table border="1" style="width: 100%; border-collapse: collapse; margin-top: 10px;"> <tr> <td style="width: 50%; text-align: center;">X</td> <td style="width: 50%; text-align: center;">Y</td> </tr> <tr> <td style="text-align: center;">516</td> <td style="text-align: center;">700</td> </tr> </table>	X	Y	516	700
X	Y				
516	700				



After installation ...

- Use a screwdriver to open the air vent, open the inlet valve and let the water rush into the towel rails. Check all connections for leaks.
- Once water overflows from the air vent, there is no air in the tube.
- Use a screwdriver to close the air vent. Turn on the outlet valve and the towel rails is ready for use.

Maintenance...

- The outside of the towel rails can be cleaned using warm soapy water.
Do not use scouring powders or acid based products as these could damage the finish.
- It is recommend that the unit should be drained if it not in use and ambient temperatures are below 0° C(32° F) to prevent damage from the water freezing.
Before reusing, flush system with a rust inhibitor to remove any oxidization.
- If the water temperature in the system exceeds 50° C (122° F), please install a warning mark near the radiator to avoid being scalded.
- If the product is not used for a prolonged period (for example spring, summer), ensure the radiator is kept filled with water containing a rust inhibitor to prevent oxidization on the inside of the unit.
- This product should only be used with a maximum pressure of $P_N \leq 1\text{MPa}$ (10Kg/cm², 10Bar).
Only for use with water. Maximum temperature $t \leq 100^\circ \text{ C}$ (212° F).