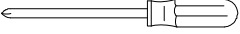
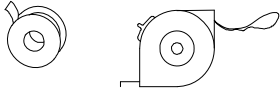
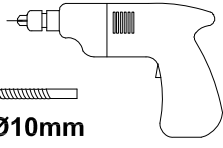
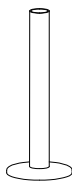
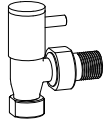

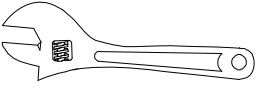



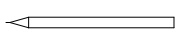
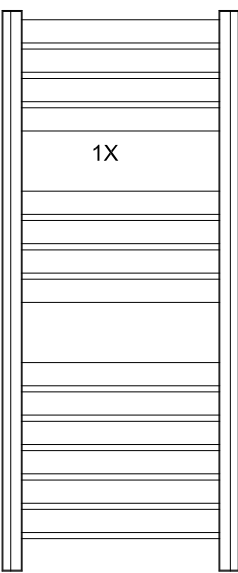












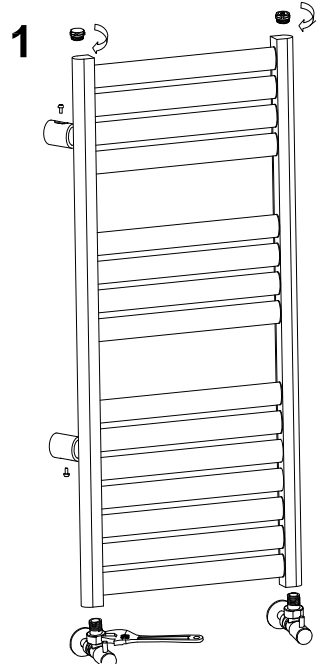
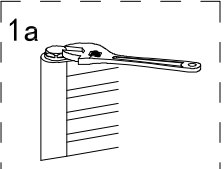
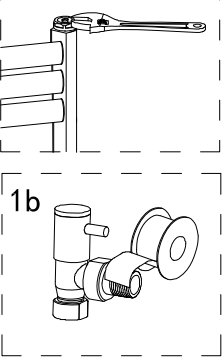
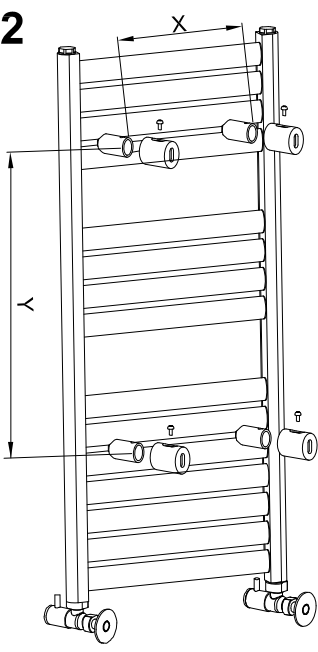
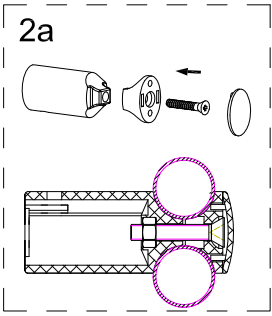
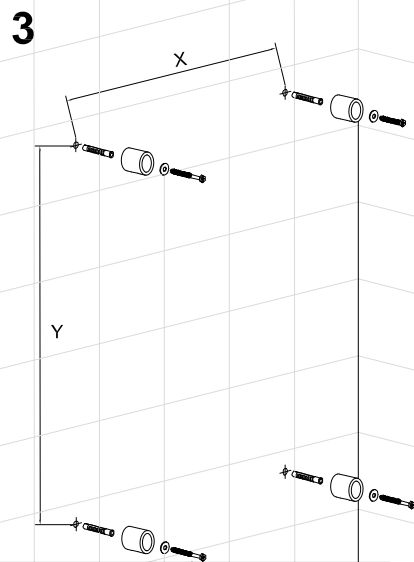
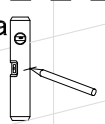
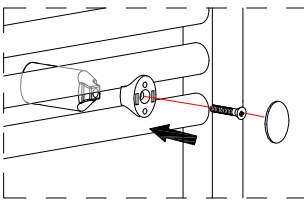




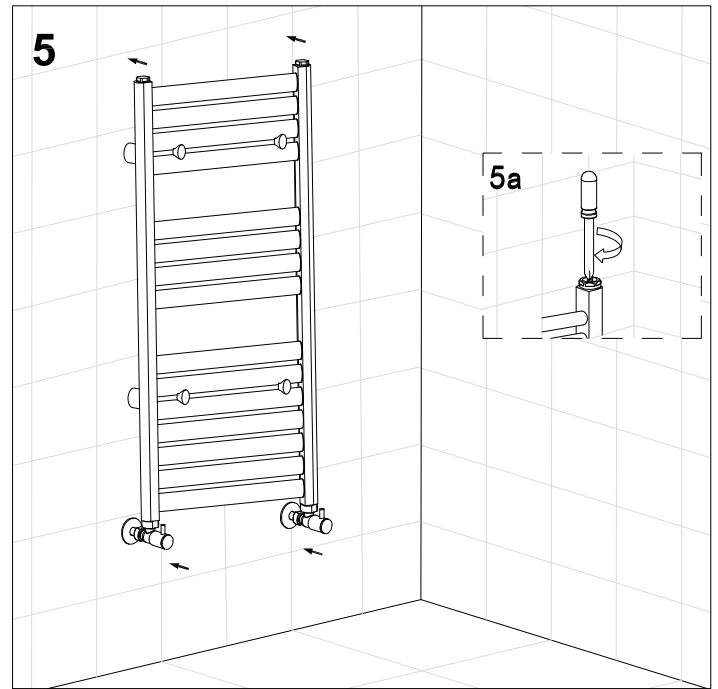
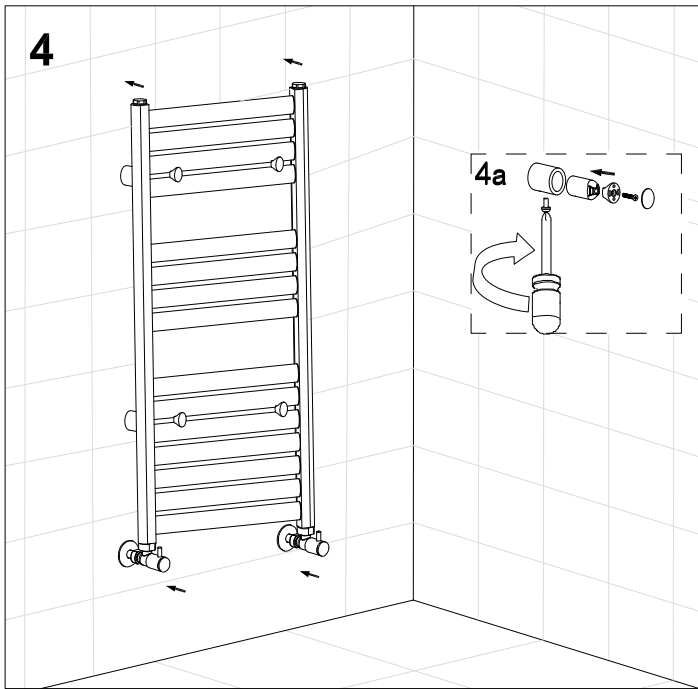
TOOLS REQUIRED:			PARTS REQUIRED:	
				
		 Ø10mm	2x	2x
				
				

### Argento Tubular Radiator Installation Instruction

- review instructions carefully before installation
- installation should be completed by a suitably qualified person
- please dispose of packaging in a responsible manner

 <p>1X</p>	 1X  1X  4X M6x35  4X  4X M5x12  4X ST6x65  4X  4X  4X  4X  4X  4X	<b>1</b> 	 <p>1a</p>  <p>1b</p>
--	---	--	--

<b>2</b>  <p>X</p> <p>Y</p>	<b>2a</b> 	<b>3</b>  <p>X</p> <p>Y</p>	<b>3a</b> 												
			<b>3b</b>  <p>Ø10mm</p>												
			<b>3c</b> 												
		<table border="1"> <thead> <tr> <th></th> <th>X</th> <th>Y</th> </tr> </thead> <tbody> <tr> <td>43100001990</td> <td>360</td> <td>587</td> </tr> <tr> <td>43100002000</td> <td>360</td> <td>910</td> </tr> <tr> <td>43100002010</td> <td>360</td> <td>1294</td> </tr> </tbody> </table>		X	Y	43100001990	360	587	43100002000	360	910	43100002010	360	1294	
	X	Y													
43100001990	360	587													
43100002000	360	910													
43100002010	360	1294													



### After installation ...

- Use a screwdriver to open the air vent, open the inlet valve and let the water rush into the towel rails. Check all connections for leaks.
- Once water overflows from the air vent, there is no air in the tube.
- Use a screwdriver to close the air vent. Turn on the outlet valve and the towel rails is ready for use.

### Maintenance...

- The outside of the towel rails can be cleaned using warm soapy water.  
Do not use scouring powders or acid based products as these could damage the finish.
- It is recommend that the unit should be drained if it not in use and ambient temperatures are below 0° C(32° F) to prevent damage from the water freezing.  
Before reusing, flush system with a rust inhibitor to remove any oxidization.
- If the water temperature in the system exceeds 50° C (122° F), please install a warning mark near the radiator to avoid being scalded.
- If the product is not used for a prolonged period (for example spring, summer), ensure the radiator is kept filled with water containing a rust inhibitor to prevent oxidization on the inside of the unit.
- This product should only be used with a maximum pressure of  $PN \leq 1\text{MPa}$  (10Kg/cm<sup>2</sup>, 10Bar).  
Only for use with water. Maximum temperature  $t \leq 100^{\circ}\text{C}$  (212° F).