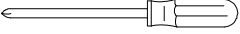
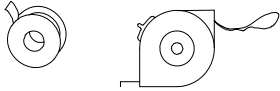
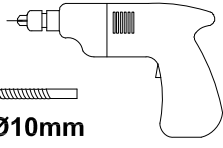
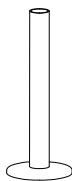
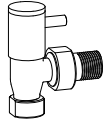



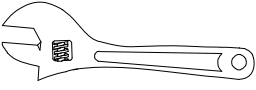

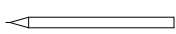
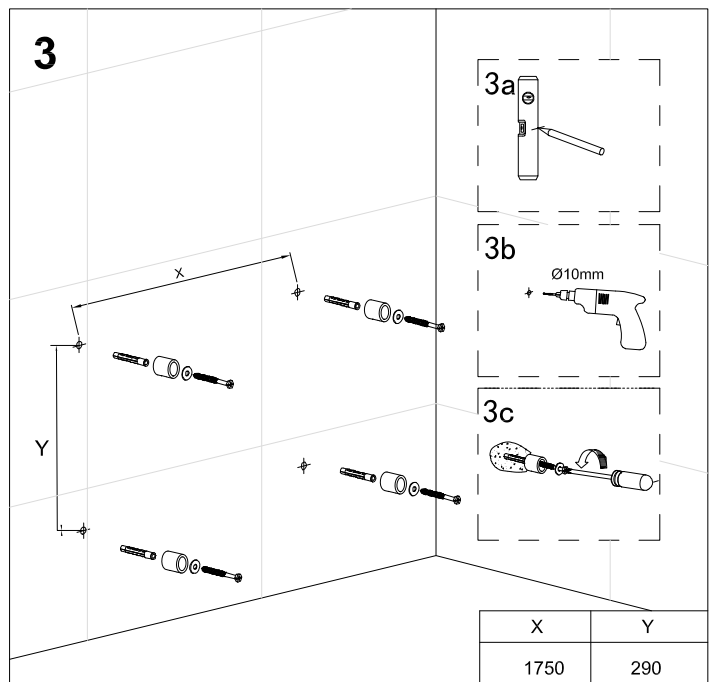
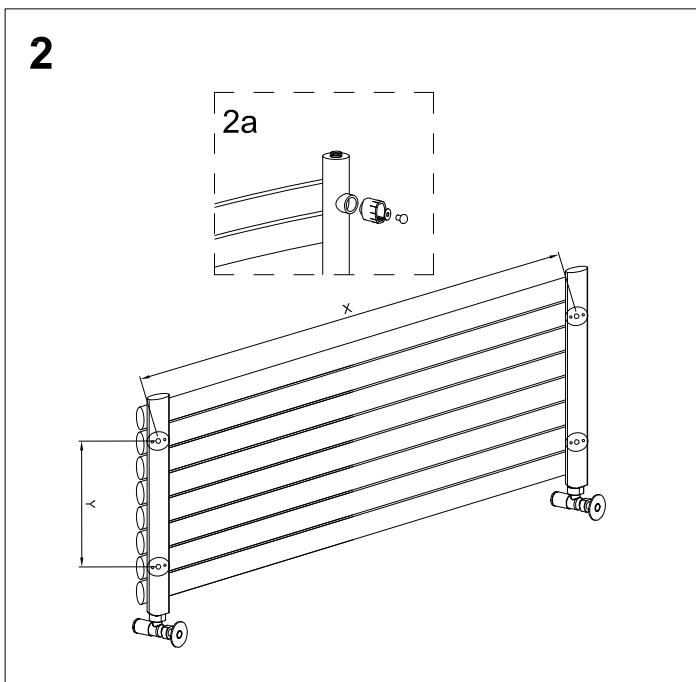
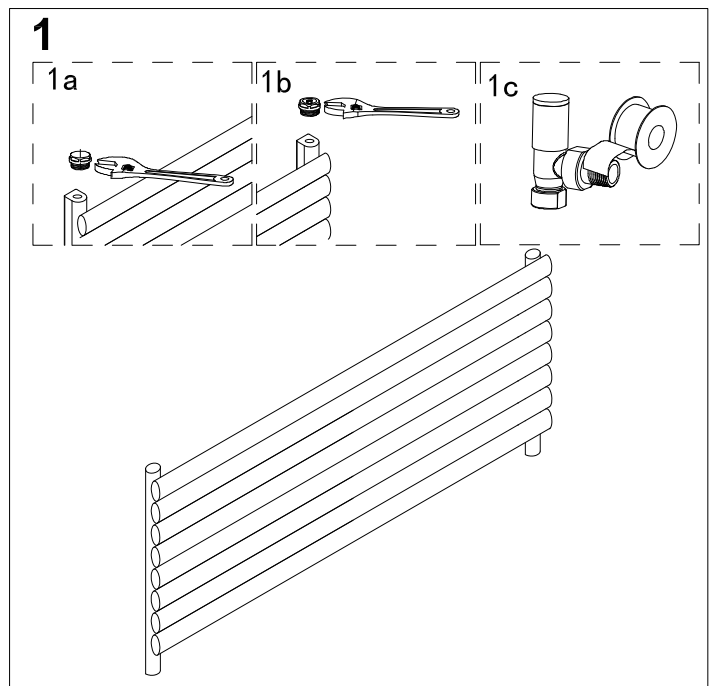
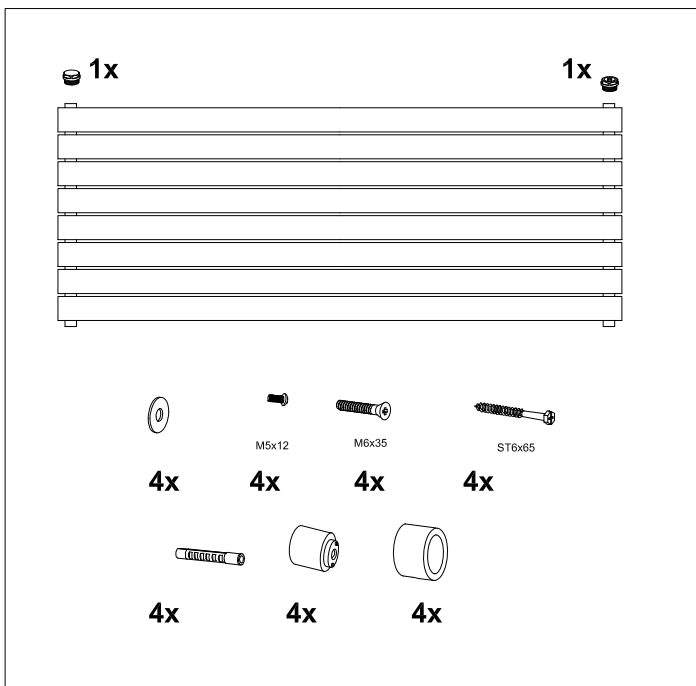
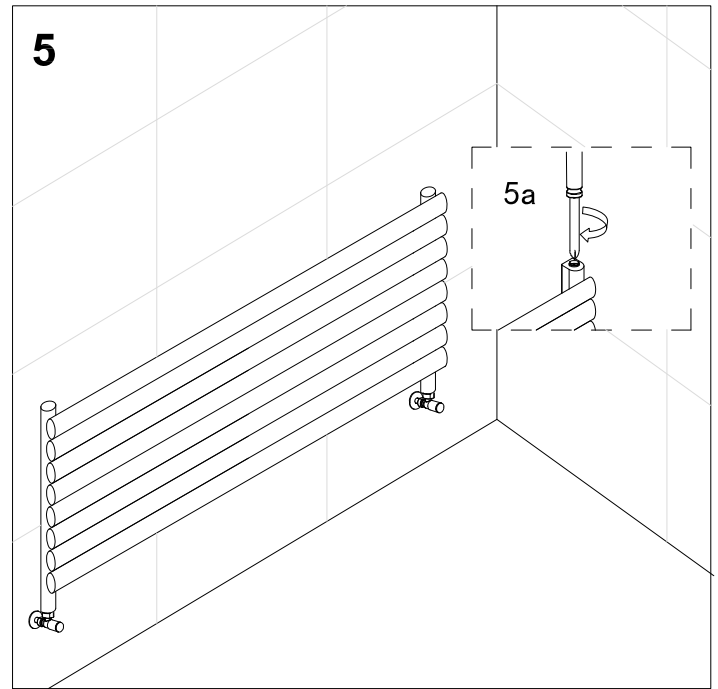
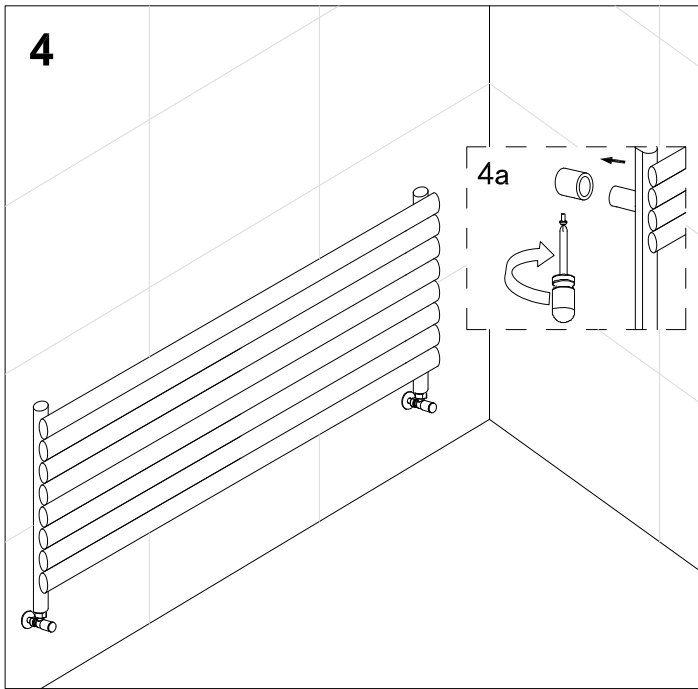


TOOLS REQUIRED:			PARTS REQUIRED:	
				
		 Ø10mm	2x	2x
				
				

Horizon Horizontal Designer Radiator Installation Instruction

- review instructions carefully before installation
- installation should be completed by a suitably qualified person
- please dispose of packaging in a responsible manner





After installation ...

- Use a screwdriver to open the air vent, open the inlet valve and let the water rush into the radiator. Check all connections for leaks.
- Once water overflows from the air vent, there is no air in the tube.
- Use a screwdriver to close the air vent. Turn on the outlet valve and the radiator is ready for use.

Maintenance...

- The outside of the towel warmer can be cleaned using warm soapy water.
Do not use scouring powders or acid based products as these could damage the finish.
- It is recommend that the unit should be drained if it not in use and ambient temperatures are below 0° C (32° F) to prevent damage from the water freezing.
Before reusing, flush system with a rust inhibitor to remove any oxidization.
- If the water temperature in the system exceeds 50° C (122° F), please install a warning mark near the radiator to avoid being scalded.
- If the product is not used for a prolonged period (for example spring, summer), ensure the radiator is kept filled with water containing a rust inhibitor to prevent oxidization on the inside of the unit.
- This product should only be used with a maximum pressure of $P_N \leq 1 \text{MPa}$ (10Kg/cm², 10Bar).
Only for use with water. Maximum temperature $t \leq 100^\circ \text{ C}$ (212° F).