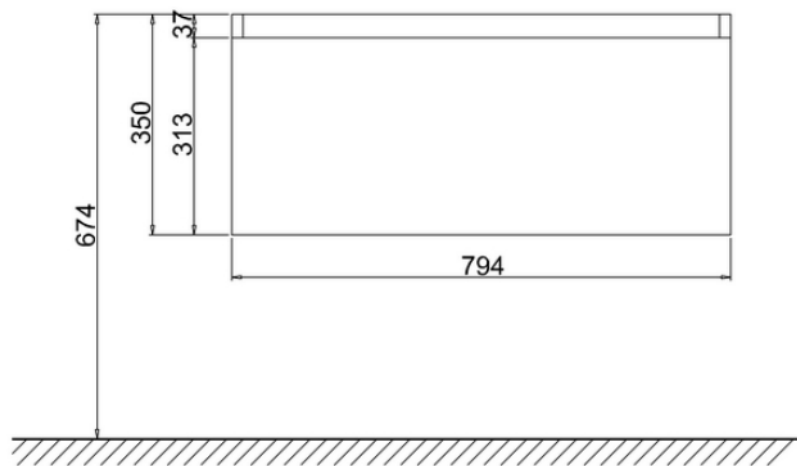
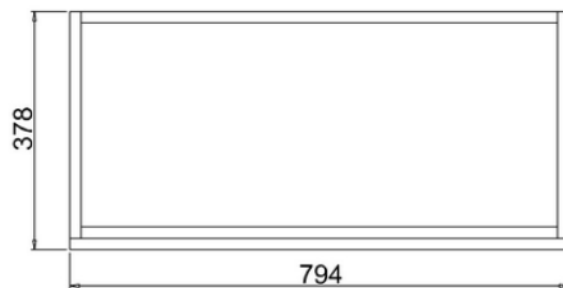
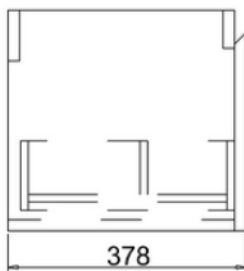




**bath
store**

**MINO WALNUT 800 BASIN
DRAWER UNIT W800 H378
D350**

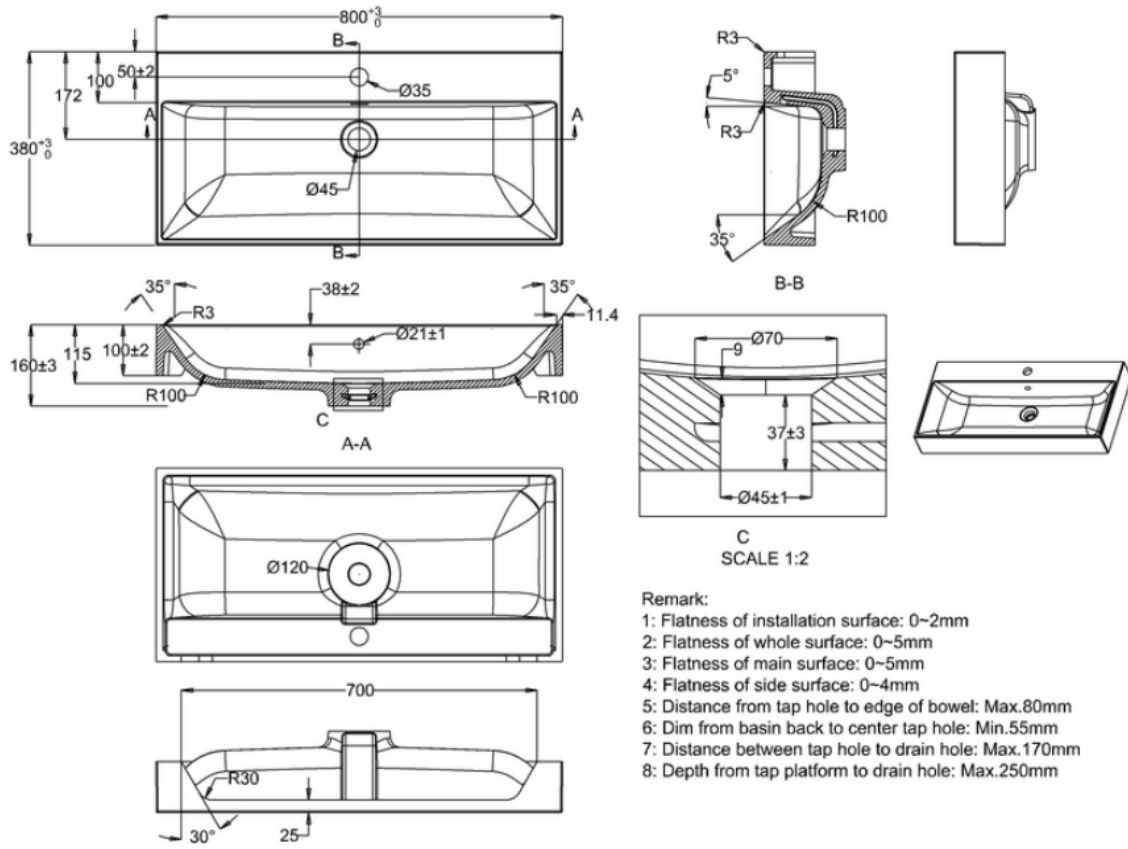
Note:
width, height dimension
tolerance is ± 5 .
depth dimension tolerance is ± 2 .





**bath
store**

ARCHIVE 800 BASIN ONE TAP HOLE WHT BNT-838



Remark:

- 1: Flatness of installation surface: 0~2mm
- 2: Flatness of whole surface: 0~5mm
- 3: Flatness of main surface: 0~5mm
- 4: Flatness of side surface: 0~4mm
- 5: Distance from tap hole to edge of bowl: Max.80mm
- 6: Dim from basin back to center tap hole: Min.55mm
- 7: Distance between tap hole to drain hole: Max.170mm
- 8: Depth from tap platform to drain hole: Max.250mm