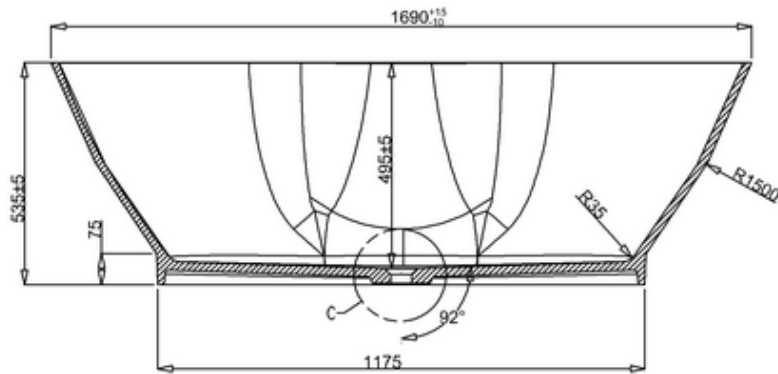
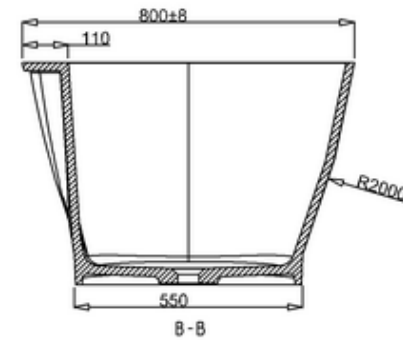


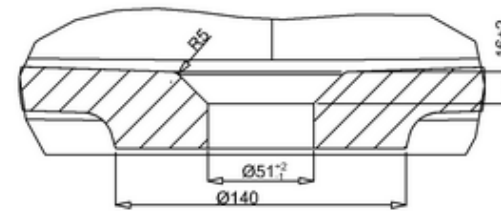
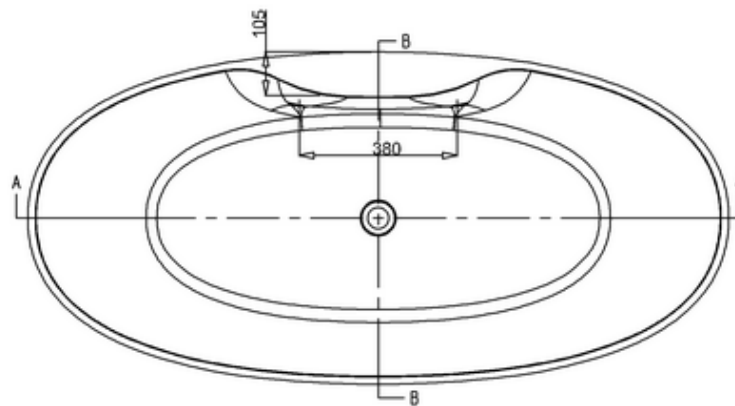
# 41405003280 - BECK TOUCH STONE BATH WITH TAP SHELF 1690MM



A A



B-B



C  
SCALE 1:2



Note:  
Whole dimension tolerance is  $\pm 5$ .  
Waste hole dimension tolerance is  $+2/-3$ .  
Tap hole dimension tolerance is  $+2/-1$ .