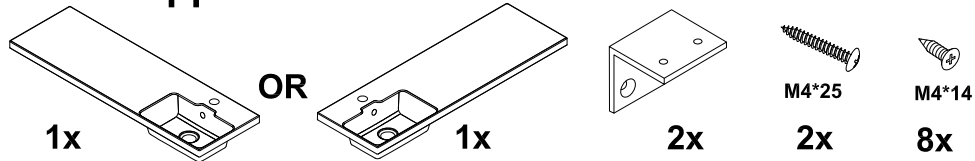


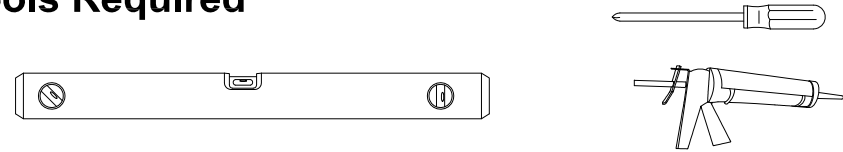
MyPlan™ Polymarble Mini Wash Basin Instructions

41405015240
41405015250

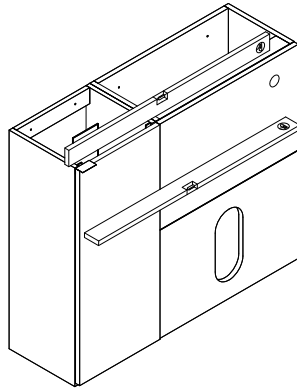
Parts Supplied



Tools Required

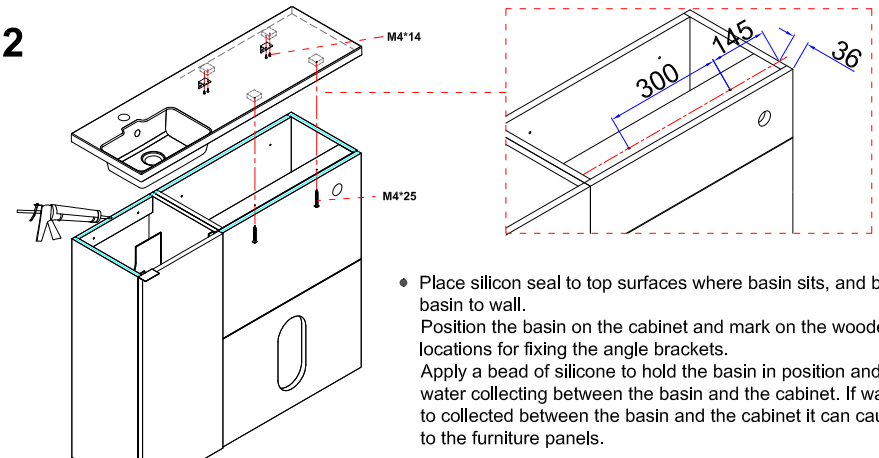


1



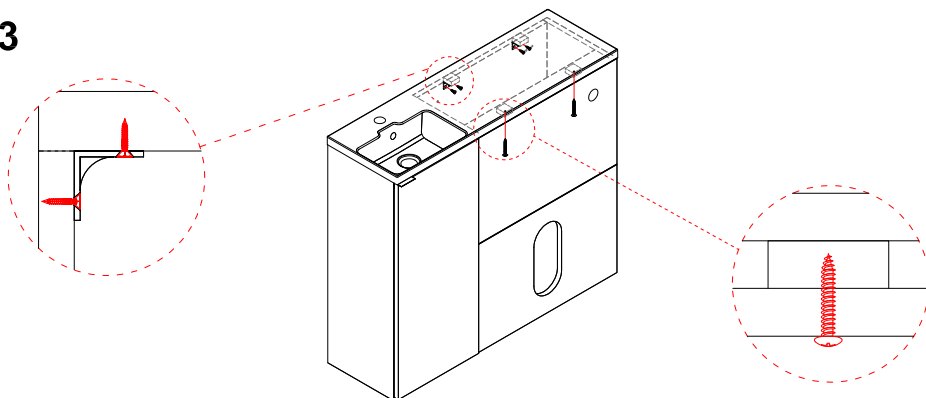
- Make sure that the cabinets are level, and flush.

2



- Place silicon seal to top surfaces where basin sits, and back edge of basin to wall. Position the basin on the cabinet and mark on the wooden blocks the locations for fixing the angle brackets. Apply a bead of silicone to hold the basin in position and to prevent water collecting between the basin and the cabinet. If water is allowed to collect between the basin and the cabinet it can cause damage to the furniture panels.

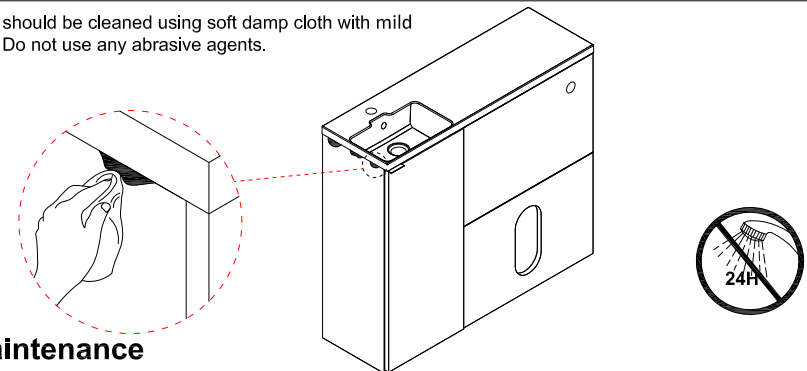
3



- Use the brackets and fixing screws to secure the Basin as shown in the diagrams.

4

- The Basin should be cleaned using soft damp cloth with mild detergent. Do not use any abrasive agents.



Care and Maintenance

This product is made from polymarble with a tough Gelcoat finish. It should be cleaned with mild detergents. Do not use strong chemicals or abrasive cleaners as these may damage the surface. Always check the instructions supplied with a cleaning product.

Please see our website www.bathstore.com for any assistance.