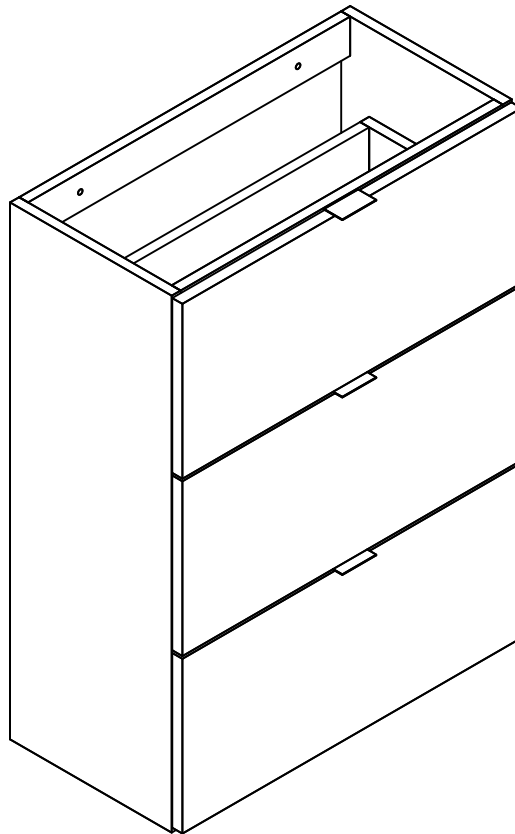


## **MyPlan 600 Drawer Unit Assembly Instructions**

**41405015210**

**41405015220**

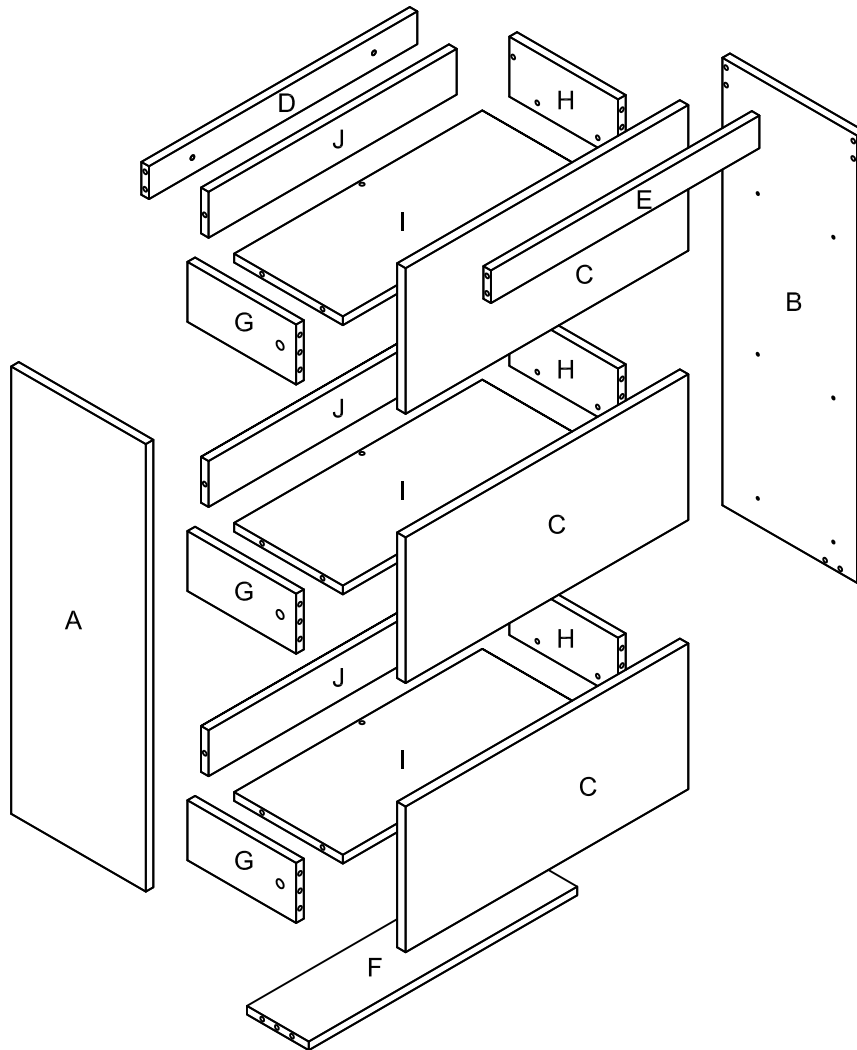
**41405015230**















**Width 600mm**

**Depth 305mm**

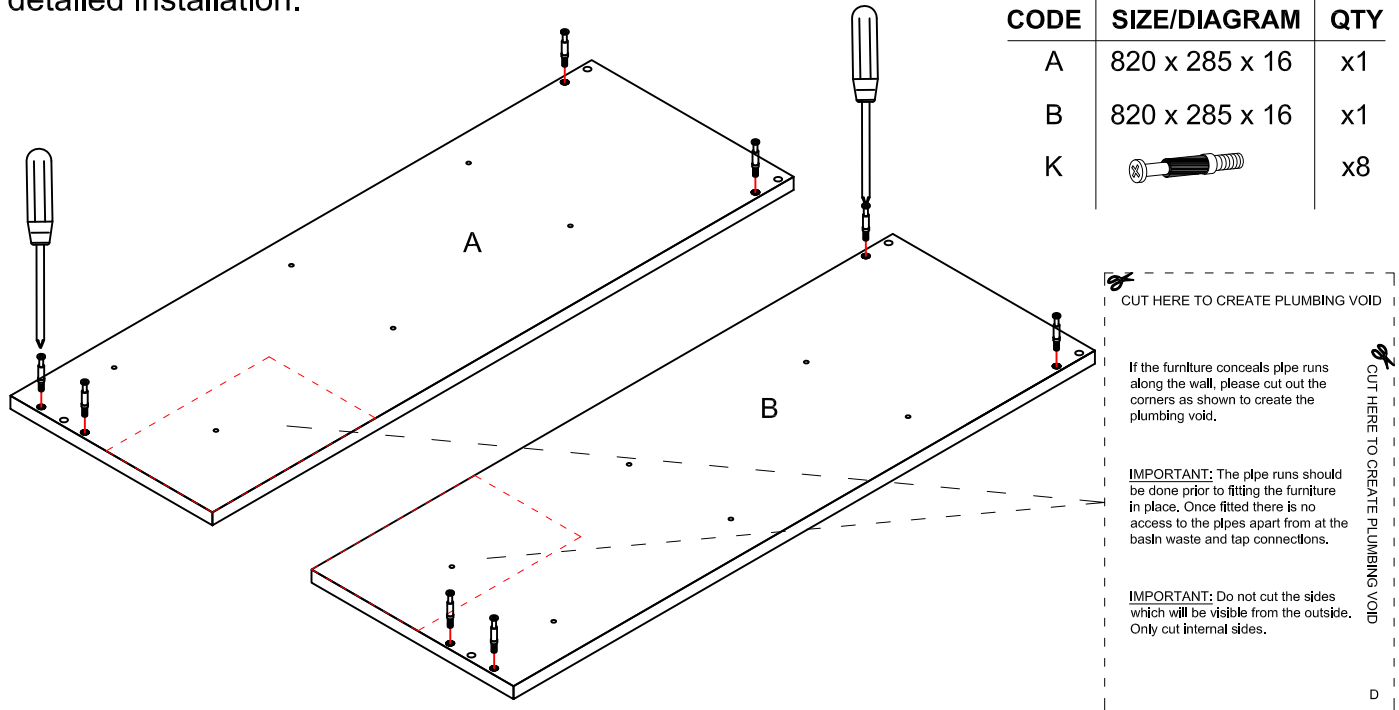
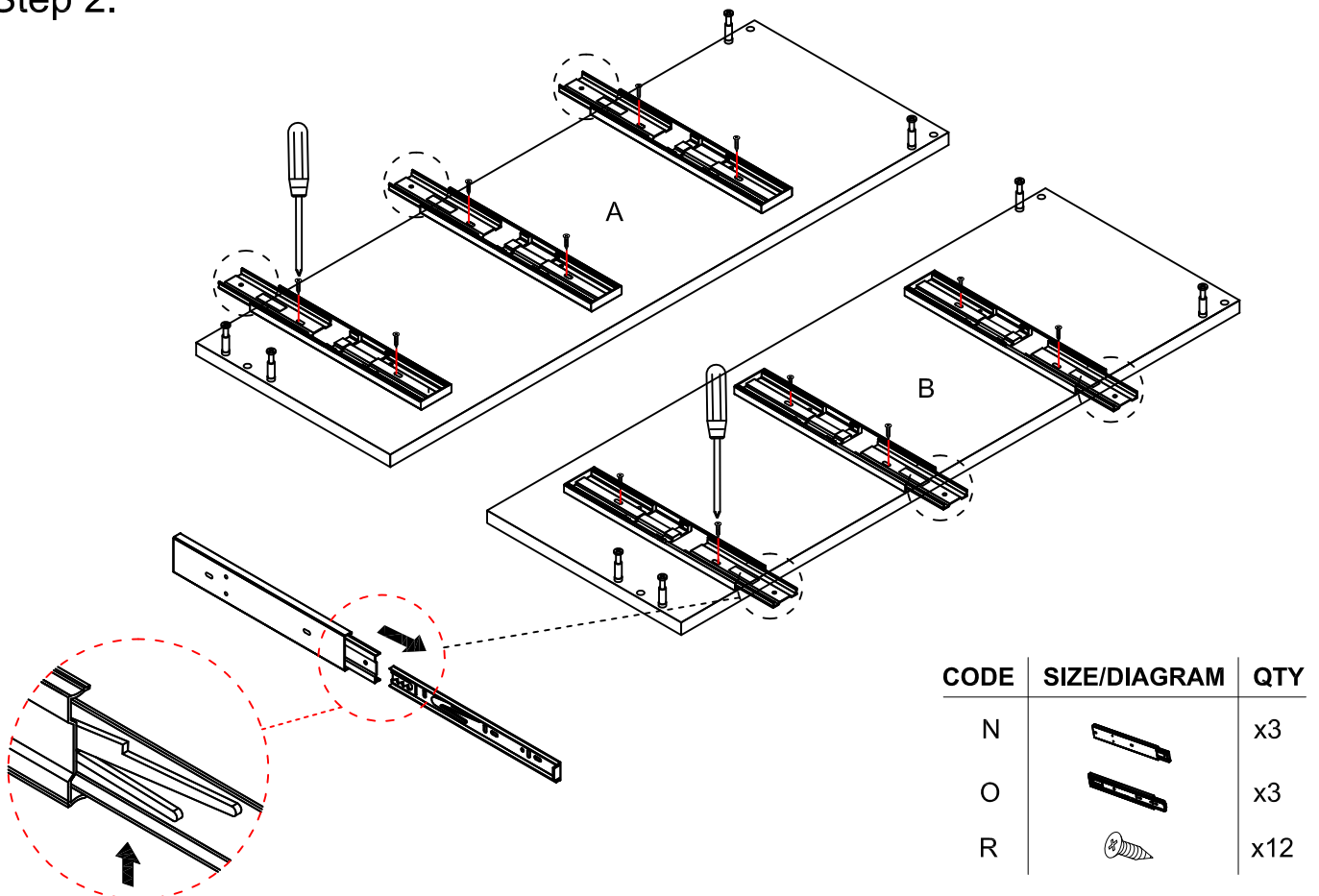
**Height 820mm**

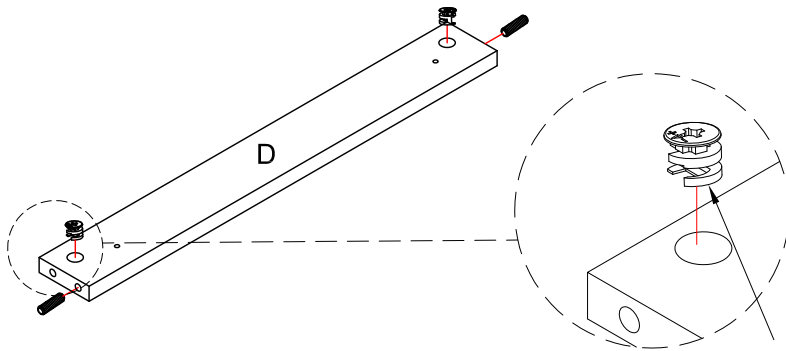
**TOOLS REQUIRED:**




CODE	SIZE (mm)	QTY	CODE	DIAGRAM	QTY
A	820 x 285 x 16 (LH)	1	L		26
B	820 x 285 x 16 (RH)	1	M		30
C	598 x 267 x 18	3	N	 - LH	3
D	568 x 62 x 16	1	O	 - RH	3
E	568 x 62 x 16	1	P		2
F	568 x 135 x 16	1	Q		3
G	230 x 110 x 16	3	R	 <b>ST4 * 14mm</b>	46
H	230 x 110 x 16	3	S		2
I	510 x 230 x 16	3	T	 <b>ST5 * 50mm</b>	2
J	510 x 84 x 16	3	U		1
K		26	V		4

**Step 1:**

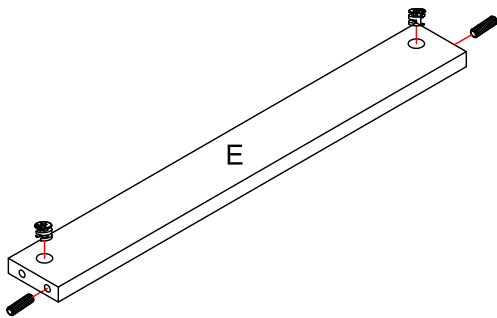
If the furniture conceals pipe runs along the wall, please cut out the corners as shown to create the plumbing void before assembly. Please refer to step 16a and 16b for the detailed installation.




**Step 2:**


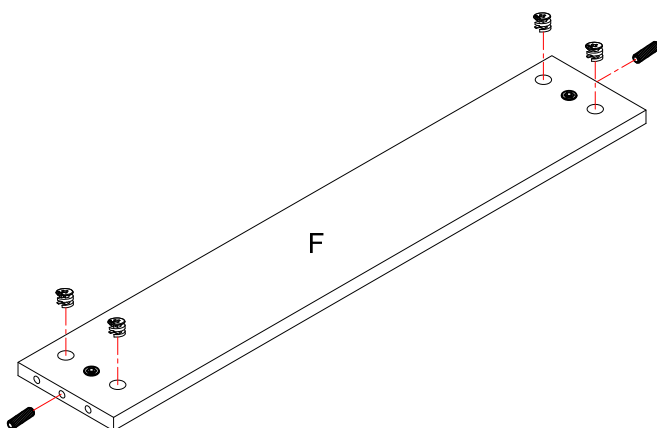
**Step 3:**




CODE	SIZE/DIAGRAM	QTY
D	568 x 62 x 16	x1
M		x2
L		x2

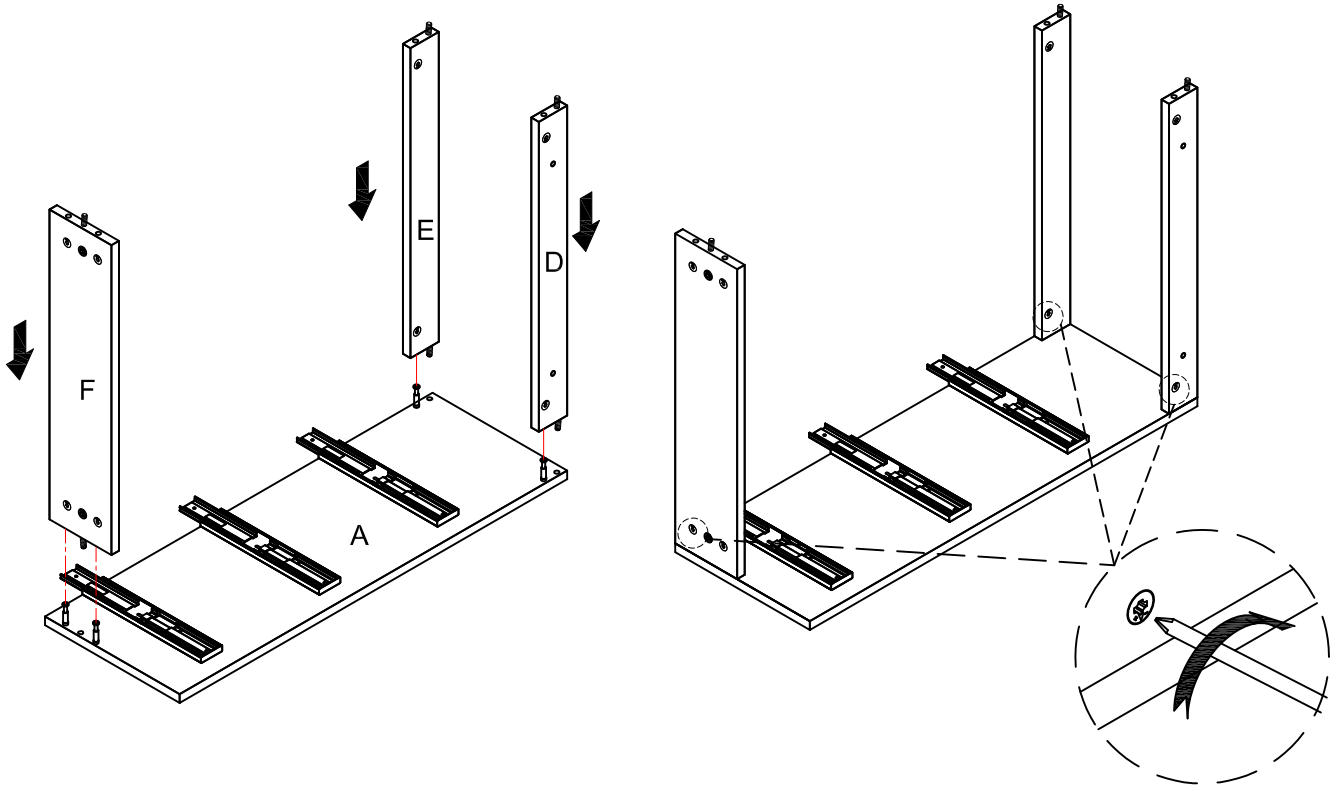
During assembly the arrow stamped on part (L) should point towards the screw hole.

**Step 4:**


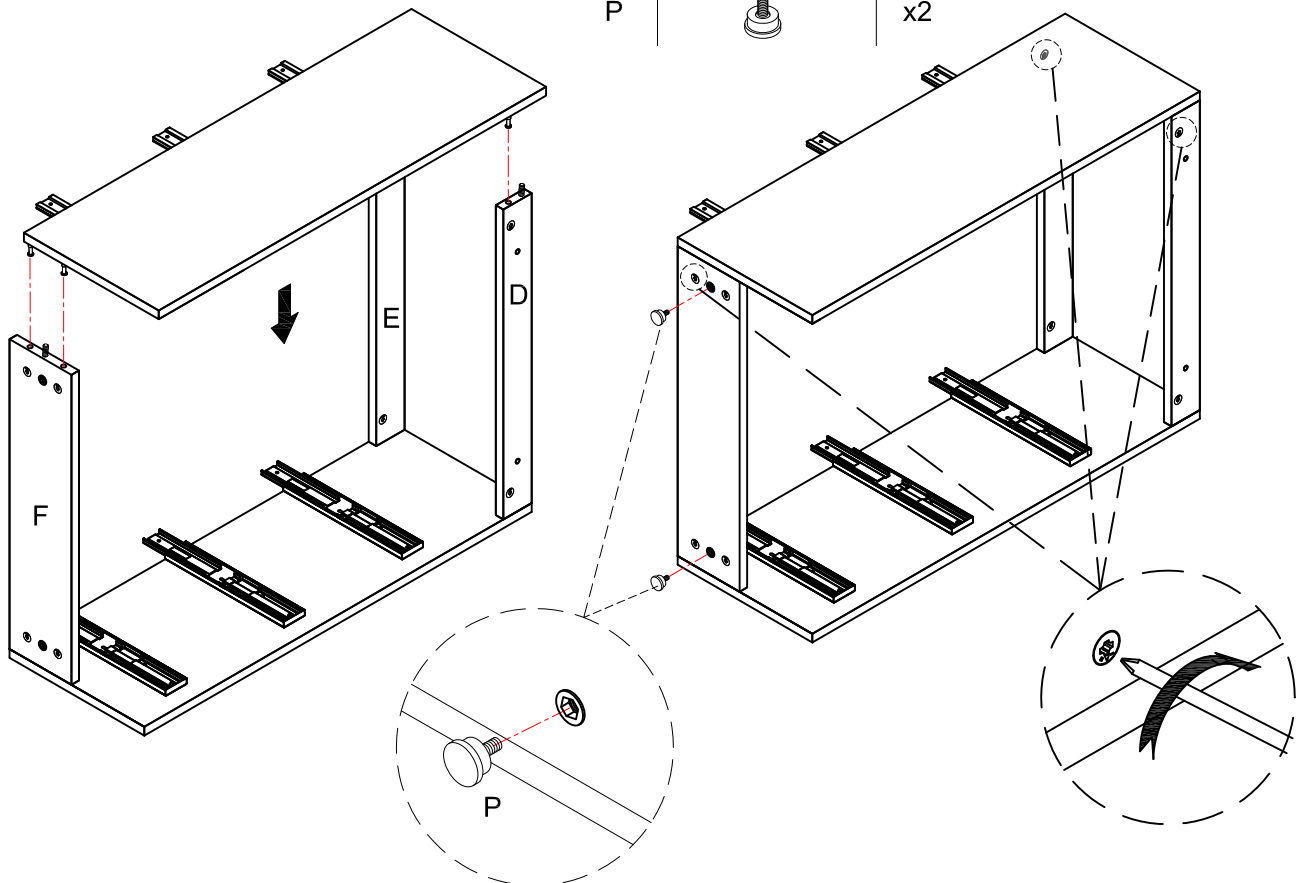
CODE	SIZE/DIAGRAM	QTY
E	568 x 62 x 16	x1
M		x2
L		x2

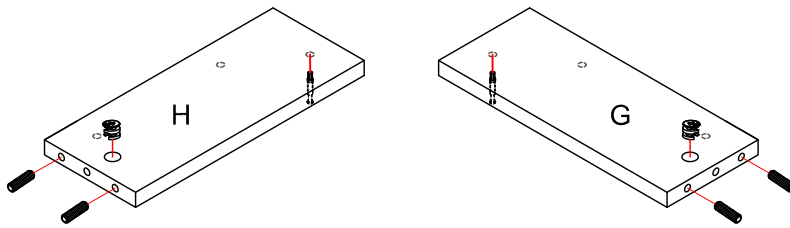
**Step 5:**





CODE	SIZE/DIAGRAM	QTY
F	568 x 135 x 16	x1
M		x2
L		x4

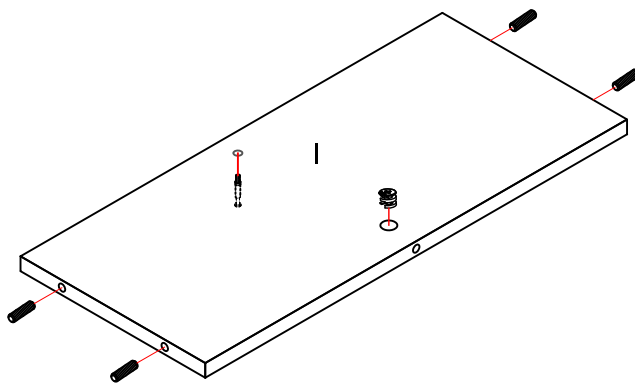
**Step 6:**

**Step 7:**




CODE	SIZE/DIAGRAM	QTY
P		x2

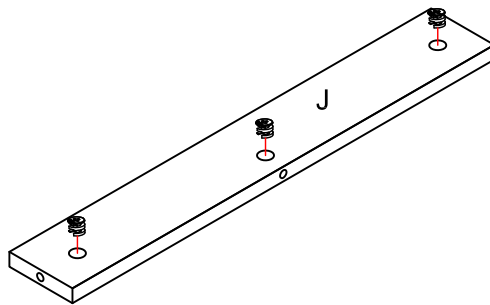



**Step 8:**


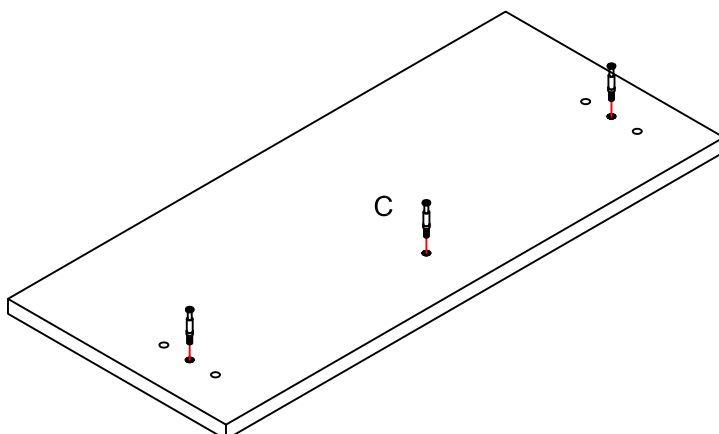
CODE	SIZE/DIAGRAM	QTY
H	230 x 110 x 16	x1
G	230 x 110 x 16	x1
M		x4
L		x2
K		x2


**Step 9:**


CODE	SIZE/DIAGRAM	QTY
I	510 x 230 x 16	x1
M		x4
L		x1
K		x1

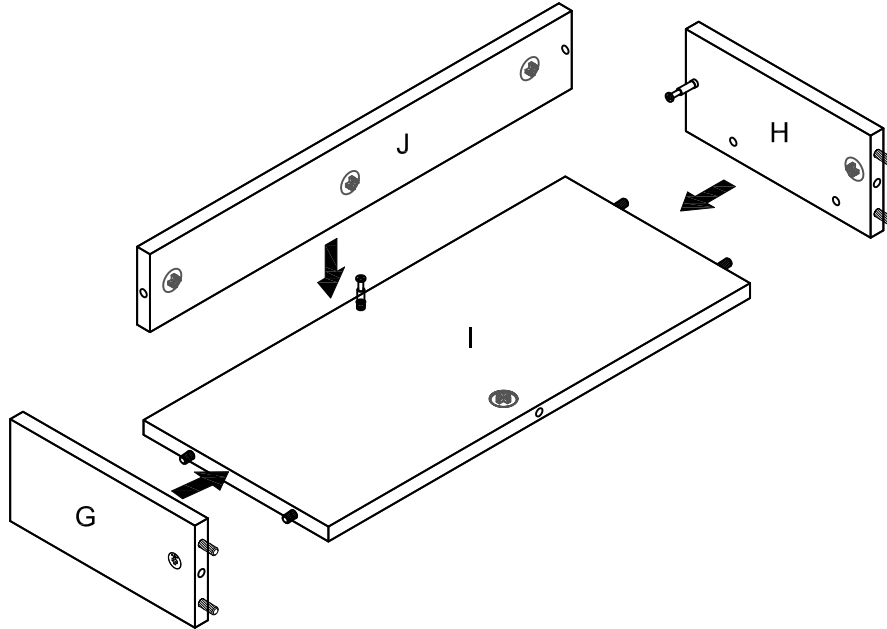
**Step 10:**


CODE	SIZE/DIAGRAM	QTY
J	510 x 84 x 16	x1
L		x3

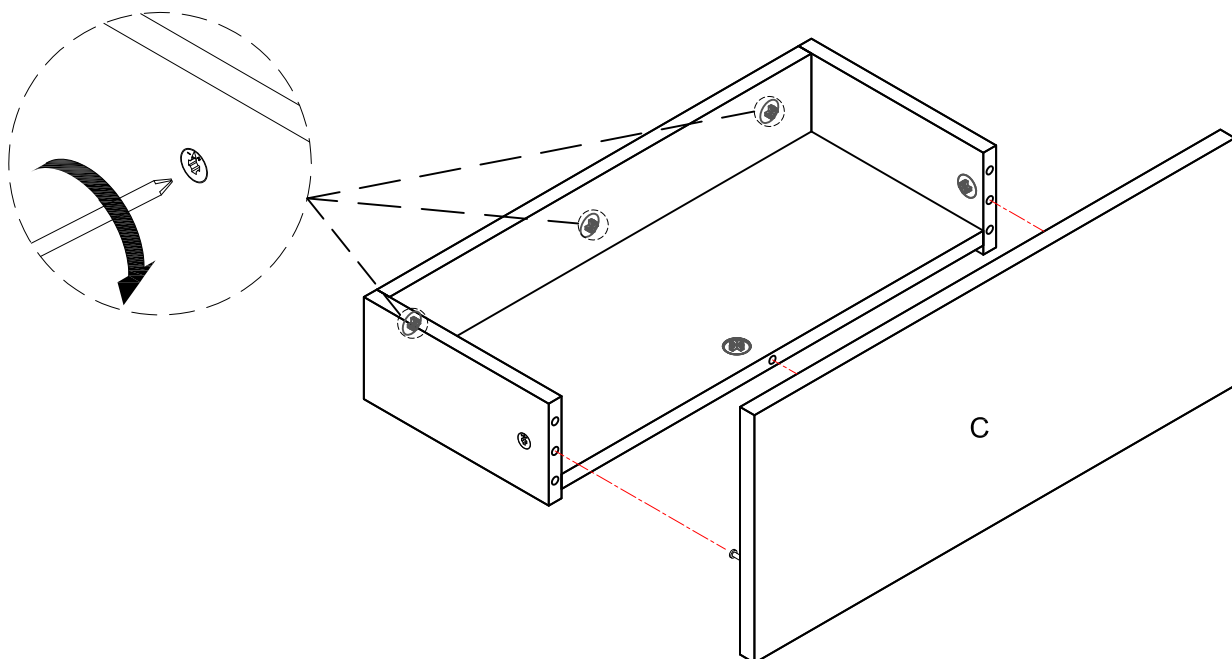
**Step 11:**


CODE	SIZE/DIAGRAM	QTY
C	598 x 267 x 18	x1
K		x3

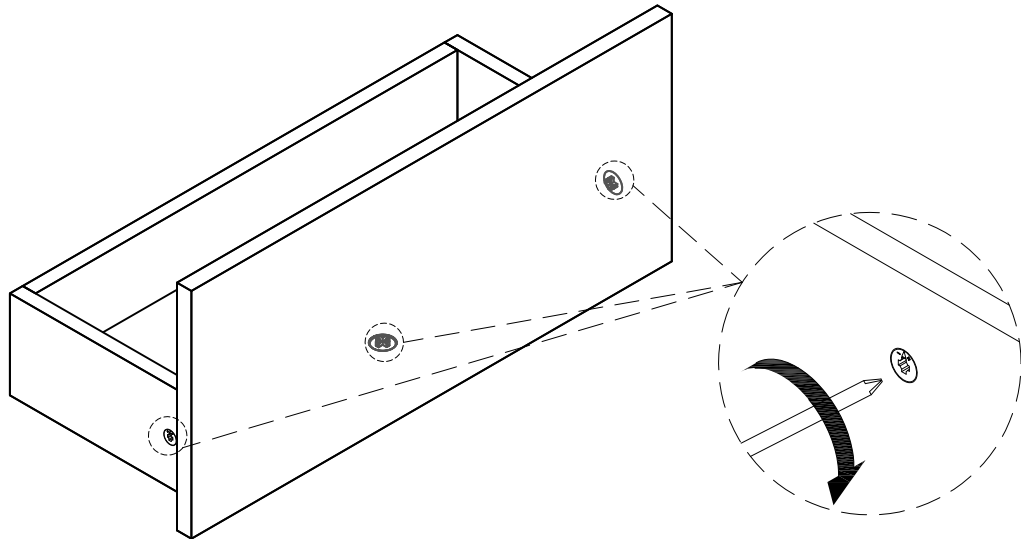
Step 12:



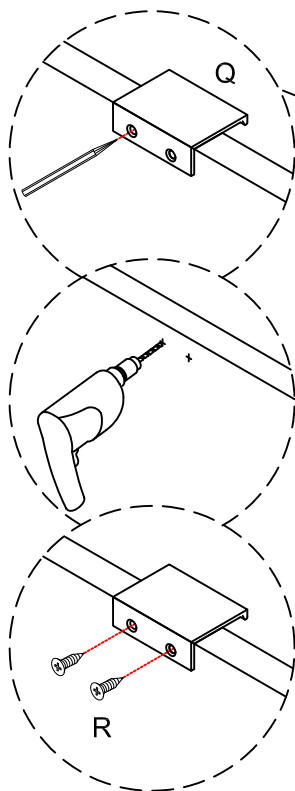
Step 13:





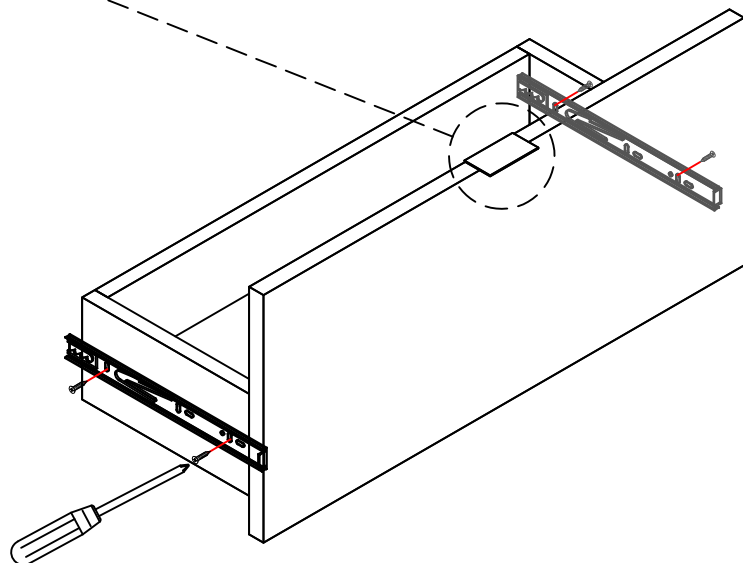
## Step 14:



## Step 15:



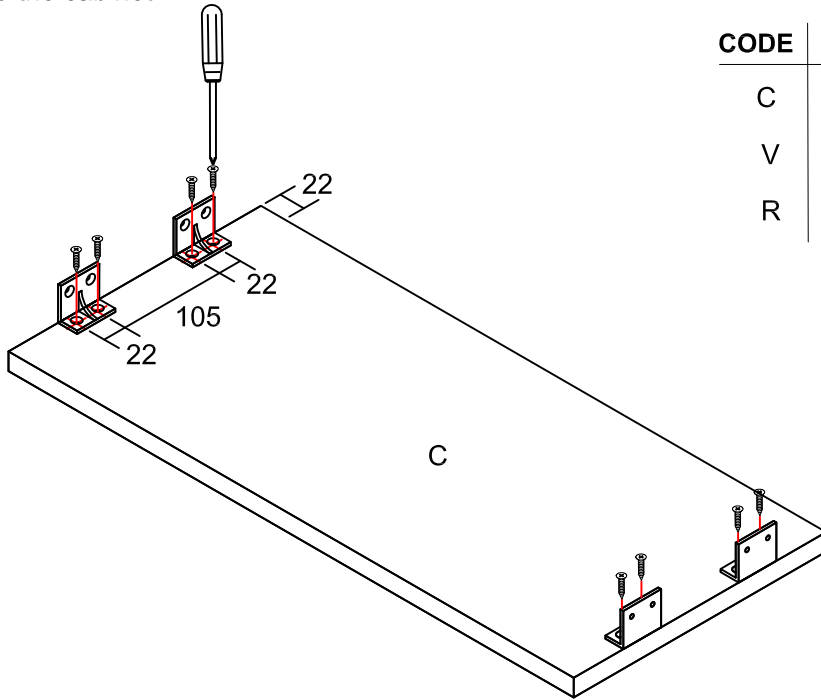
CODE	SIZE/DIAGRAM	QTY
Q		x1
R		x6





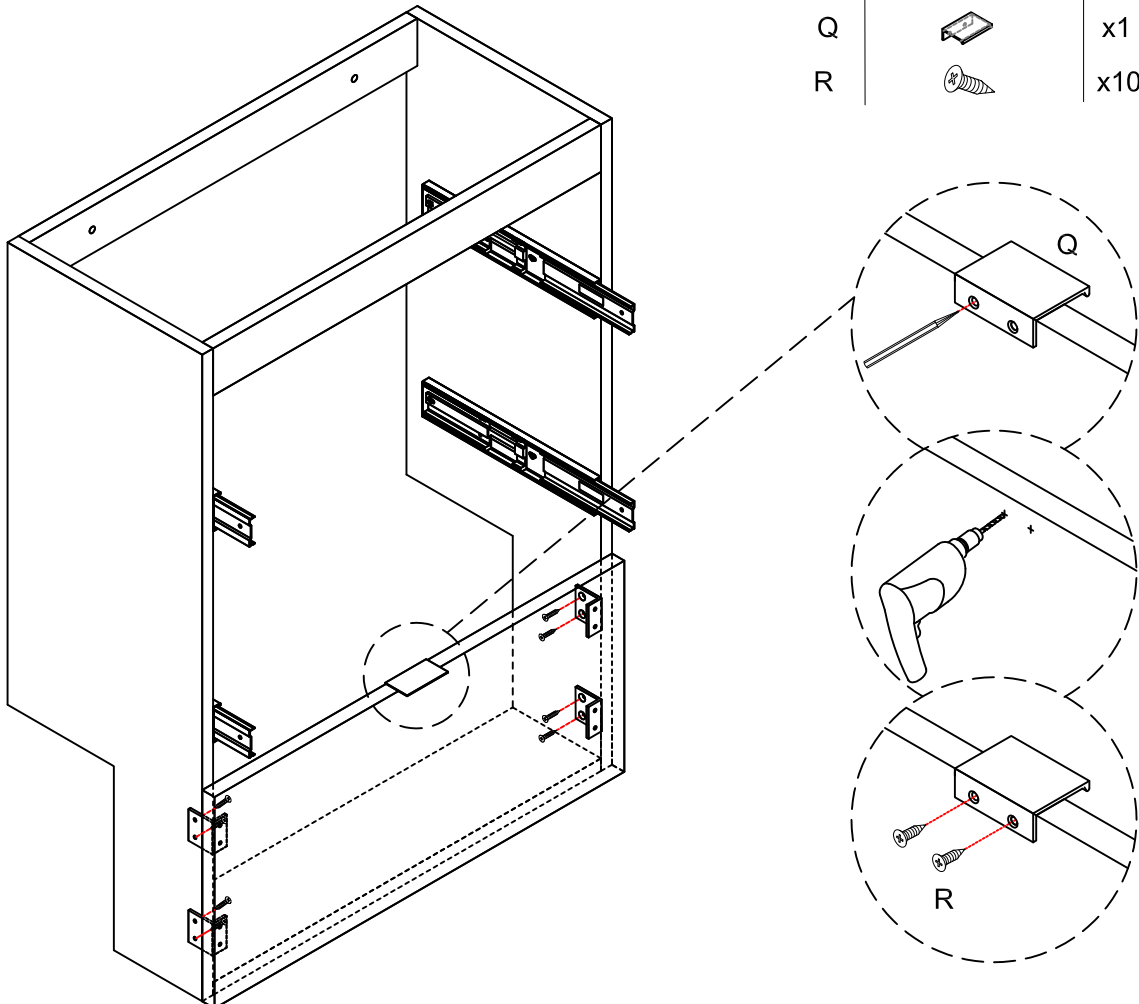




**Step 16a:**

if the corners are cut for the plumbing void as shown in step 1, please follow this step to fix the bottom drawer panel to the cabinet.



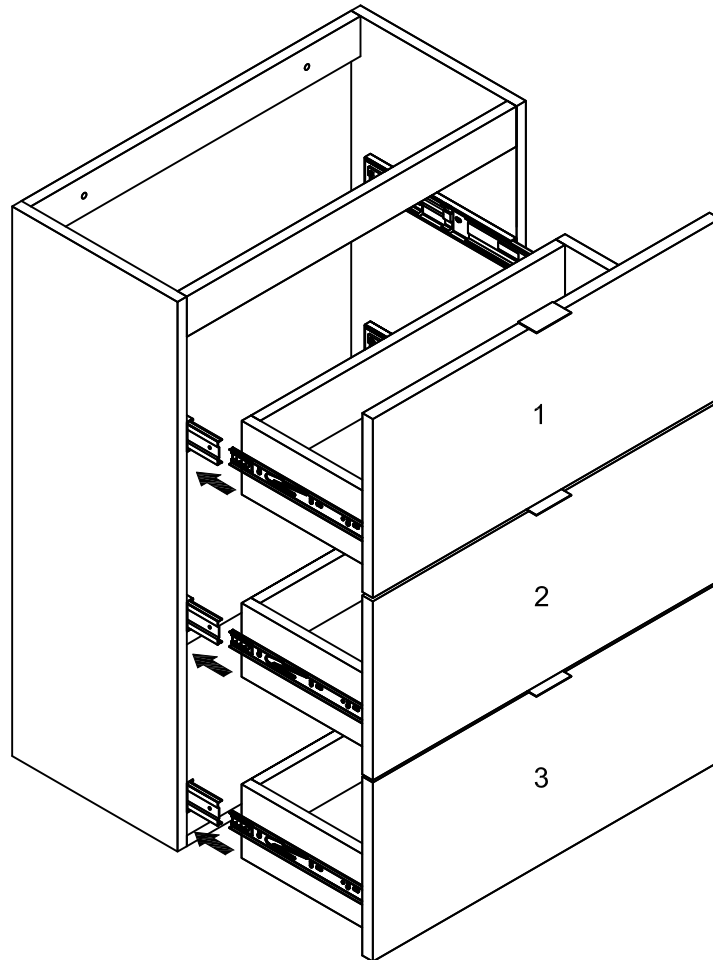
CODE	SIZE/DIAGRAM	QTY
C	598 x 267 x 18	x1
V		x4
R		x8

**Step 16b:**


CODE	SIZE/DIAGRAM	QTY
Q		x1
R		x10

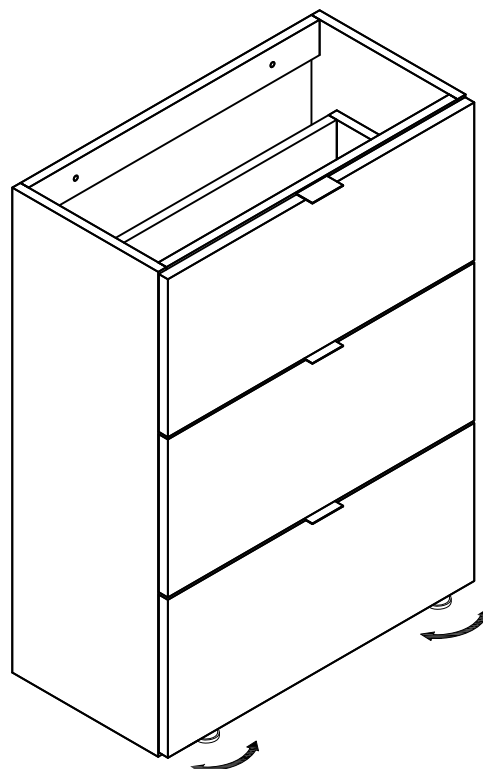
**Step 16:**

Put on the drawers according to the number sequence and make sure the grain matches.



**Step 17:**



Place the unit in position against the wall. Raise or lower height adjusters (P) to level and achieve desired height at the front.

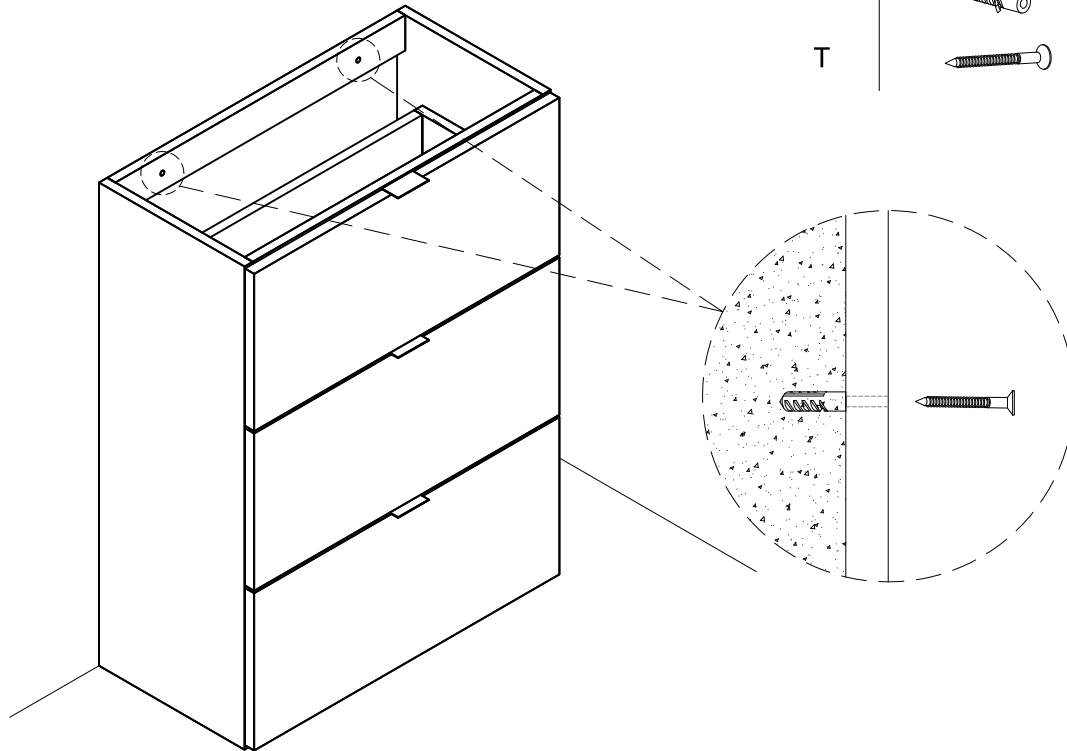


### Step 18:

Ensure that the top is horizontal before marking the wall for fixing.

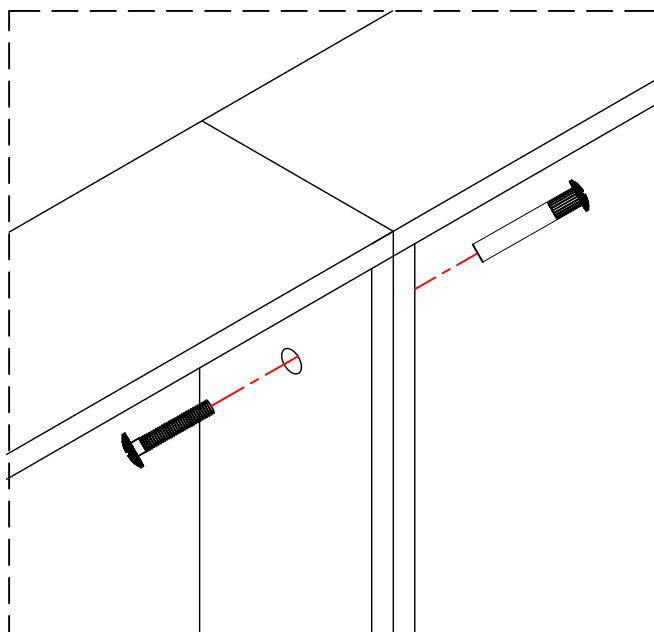
The wall fixings supplied may not be suitable for your installation. You may need to source alternatives depending on the material and strength of the wall you are fixing to.

CODE	SIZE/DIAGRAM	QTY
S		x2
T		x2



### Step 19:

CODE	SIZE/DIAGRAM	QTY
U		x1



Once the units have been installed and are level and before fully tightening the wall fixings, they should be joined together using the joining bolts (U) to give extra strength.

**Note:** Before drilling the units ensure that you avoid any runners, hinges, shelves or pipe work.

Carefully drill small pilot holes (Ø3mm) through the sides of both units. Drill full size holes (Ø6mm), part way through one side then finish off by drilling through from the other side; this will avoid splintering the wood veneer. Once joined together, fully tighten the wall fixings.

## Care and Maintenance

### Please leave with the householder

This furniture is made of wood, and has a water resistant finish. It should not be left wet. The quality of the finish is best maintained if it is wiped with a dry cloth after use. It should only be cleaned using a soft damp cloth followed by a dry cloth. Do not use bleach or any abrasive cleaner.