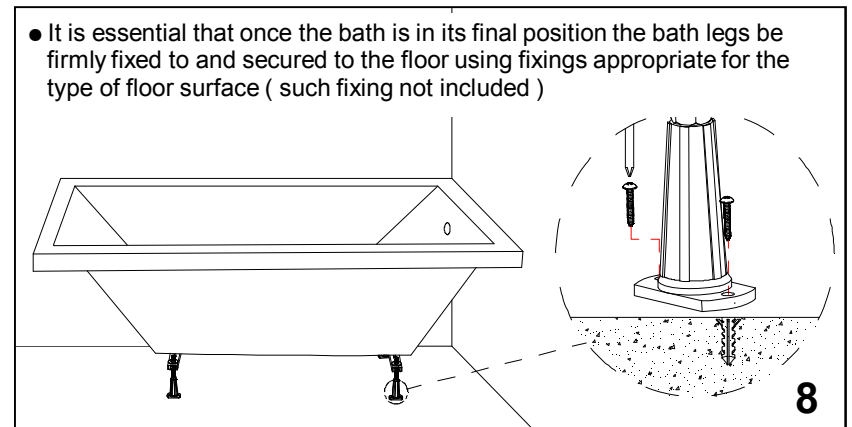
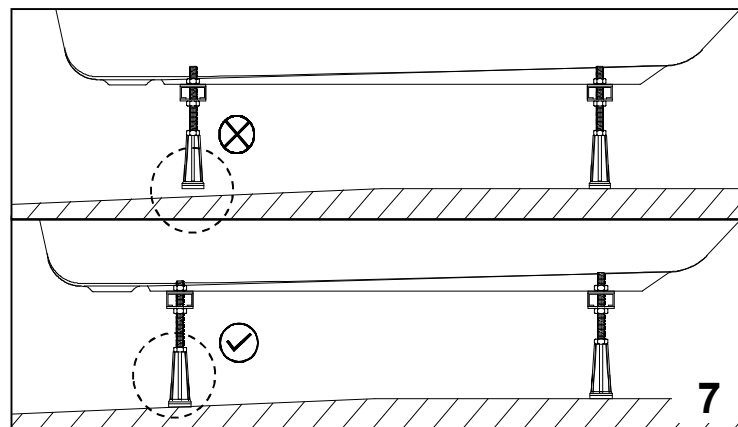
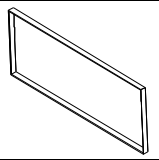



NOTES

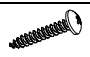

- Prior to installation check that all fittings have been supplied.
- Assemble the bath on a mat to protect the bath surface from damage or scratching.
- These installation instructions do not include the waste, tap or any other items. Such items should be installed by a suitably qualified person.
- Fit horizontal batten before securing bath to the floor (see page 3)
- Follow each step in turn.





FRONT PANEL

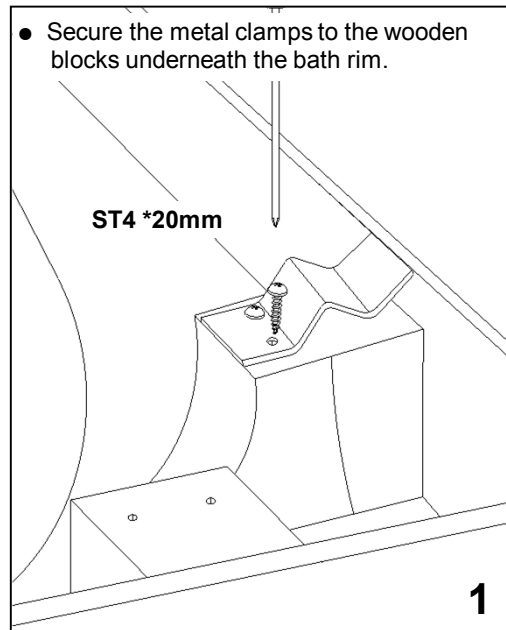
1x 

ST4 *20mm  
8x 4x

ST4 *25mm  
2x 2x

 
2x 2x

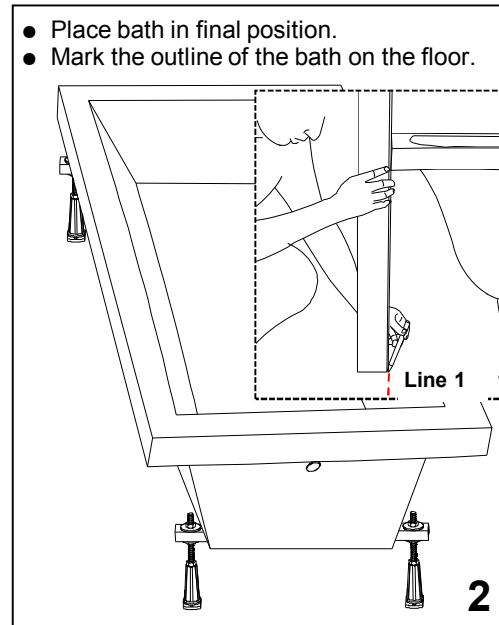
- Secure the metal clamps to the wooden blocks underneath the bath rim.



ST4 *20mm

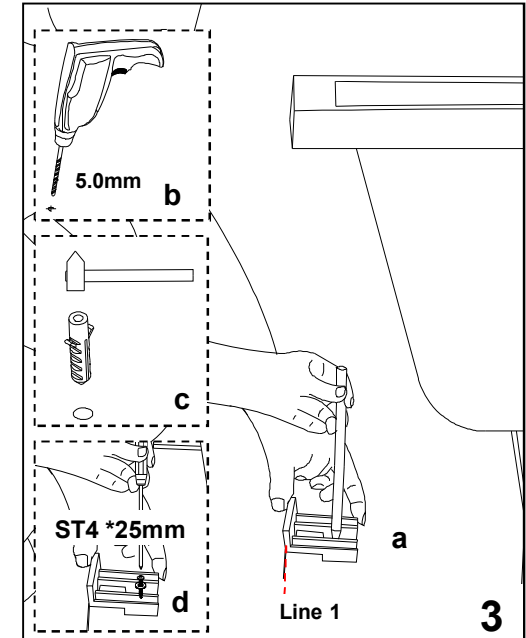
1

- Place bath in final position.
- Mark the outline of the bath on the floor.



Line 1

2



5.0mm

b

c

ST4 *25mm

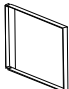
d



Line 1



a



3

END PANEL

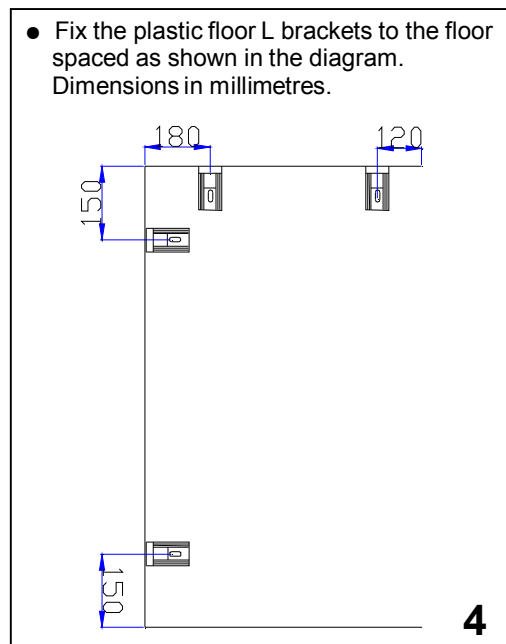
1x 

ST4 *20mm  
4x 2x

ST4 *25mm  
2x 2x

 
2x 2x

- Fix the plastic floor L brackets to the floor spaced as shown in the diagram. Dimensions in millimetres.



180

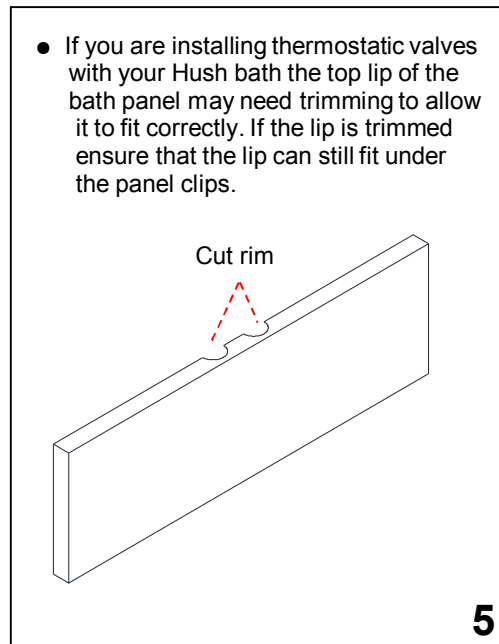
120

150

150

4

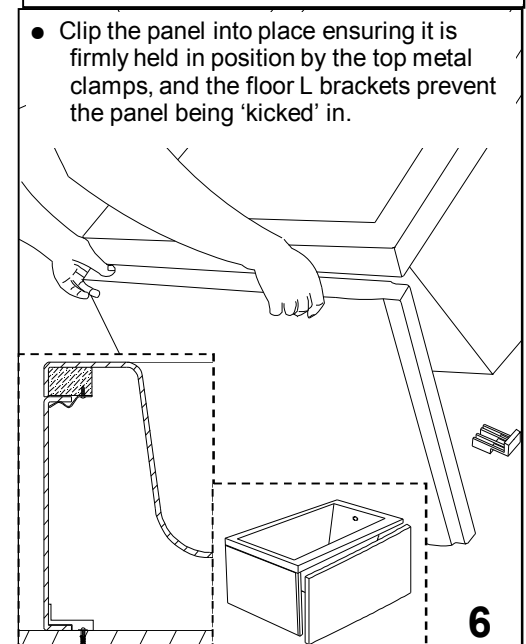
- If you are installing thermostatic valves with your Hush bath the top lip of the bath panel may need trimming to allow it to fit correctly. If the lip is trimmed ensure that the lip can still fit under the panel clips.



Cut rim

5

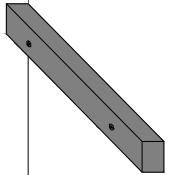
- Clip the panel into place ensuring it is firmly held in position by the top metal clamps, and the floor L brackets prevent the panel being 'kicked' in.



6

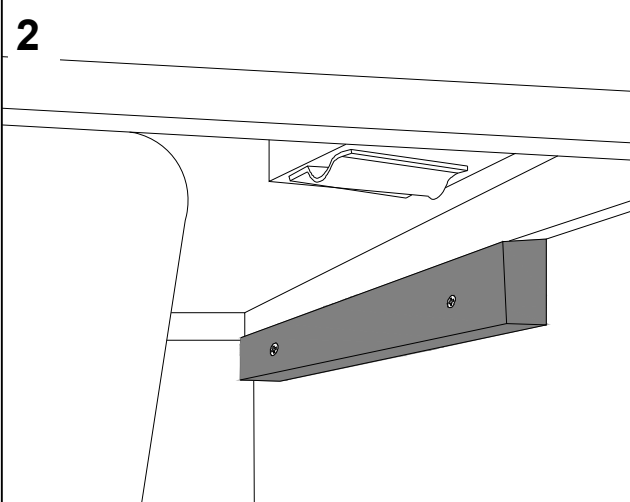
- Place the bath in position to determine height, water and soil requirements.

1



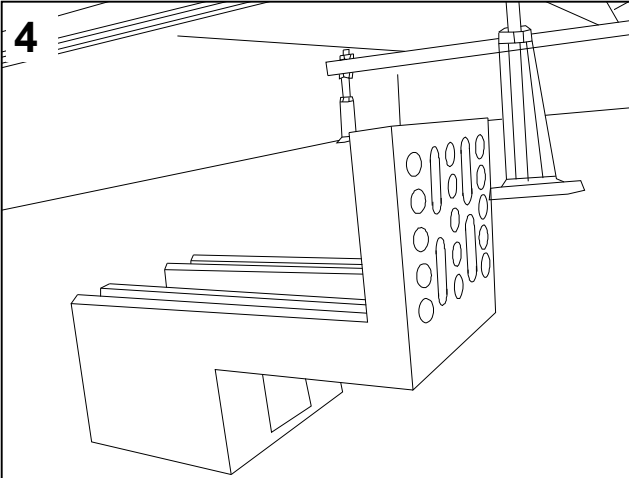
- Screw a batten of 2" by 1" treated timber to the wall horizontally to support the bath rim. This ensures that the bath will remain stable and the rim cannot flex.

2

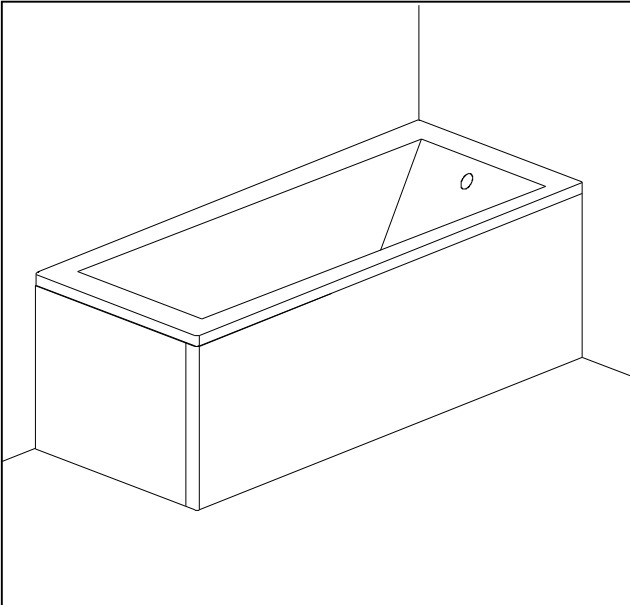


- Place the bath back into position. Attach all water and waste connections.

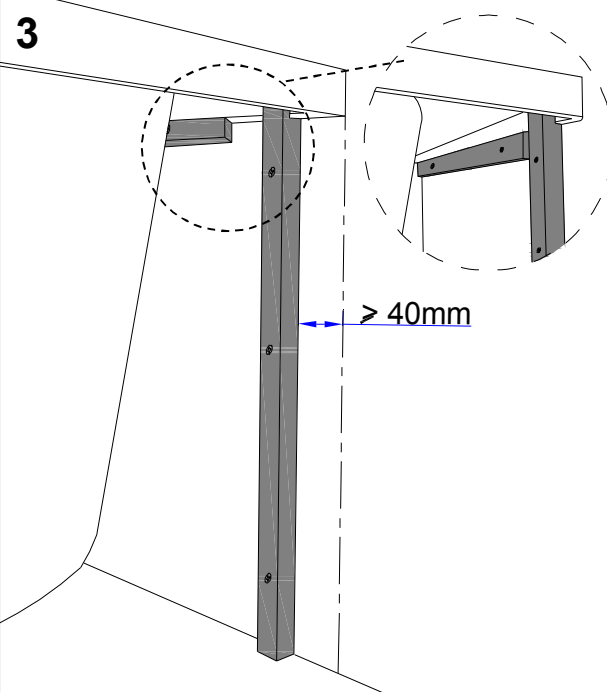
4



- When installing the bath panels, remember to install the floor fixed L brackets so as to prevent the bottom of the panel being 'kicked' in. See section 4, 5 and 6 on previous page.



3



- Screw another 2" by 1" treated timber batten vertically onto the wall, clamping the bath to the wall. This batten should be at least 40mm in from the corner of the bath. This batten will provide additional rim support. This should be done on both corners to securely hold the bath in place.

'Acrylic baths will flex when filled with water, so it is important that your bath is installed to allow for some movement.

The weight of the bath should be taken by the feet and not battens. Battens are a good way of supporting the rim of a bath, but can cause stress points. They should not be physically attached to the blocks underneath the bath, and ideally there should be a small gap between the blocks and battens.'