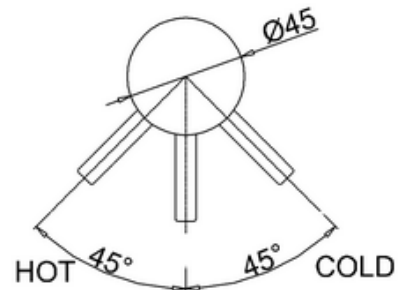
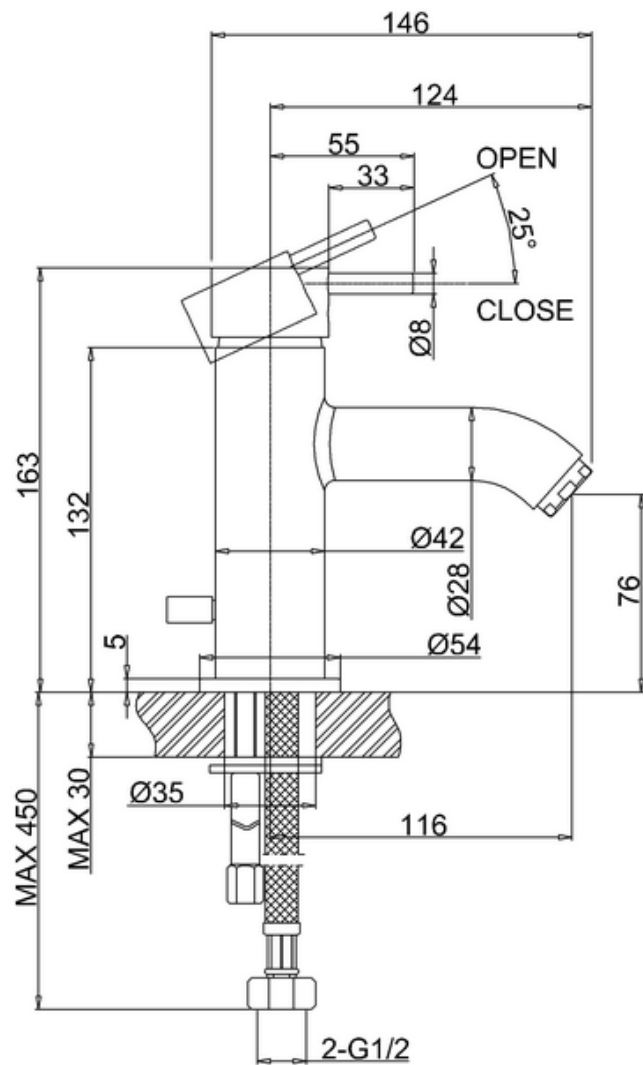


20004010020 - Basin Monobloc with pop up waste



Note:

For the each part, the dimension tolerance should be followed the list below.

0 ~ 100	101 ~ 200	201 ~ 400	≥ 401
±1	±2	±3	±5

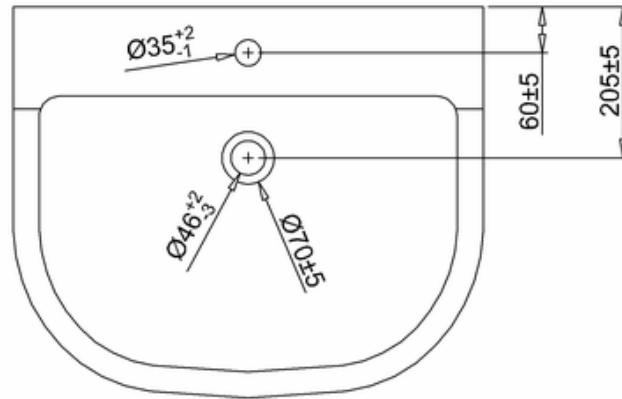
For the finished assembly, the dimension tolerance should be followed the list below.

0 ~ 300	≥ 301
±2	±5



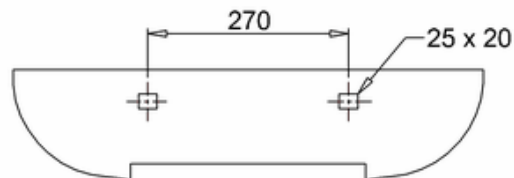
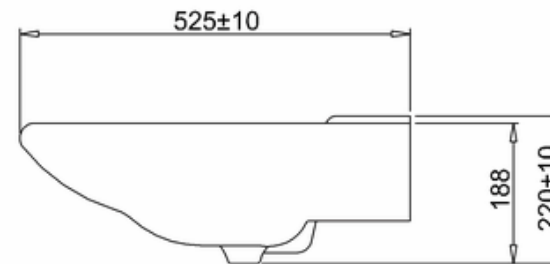
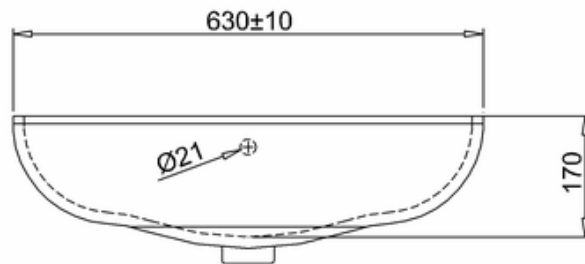
bathstore

41900080090 - SOHO LARGE 630 BASIN 1TH WHITE



Remark:

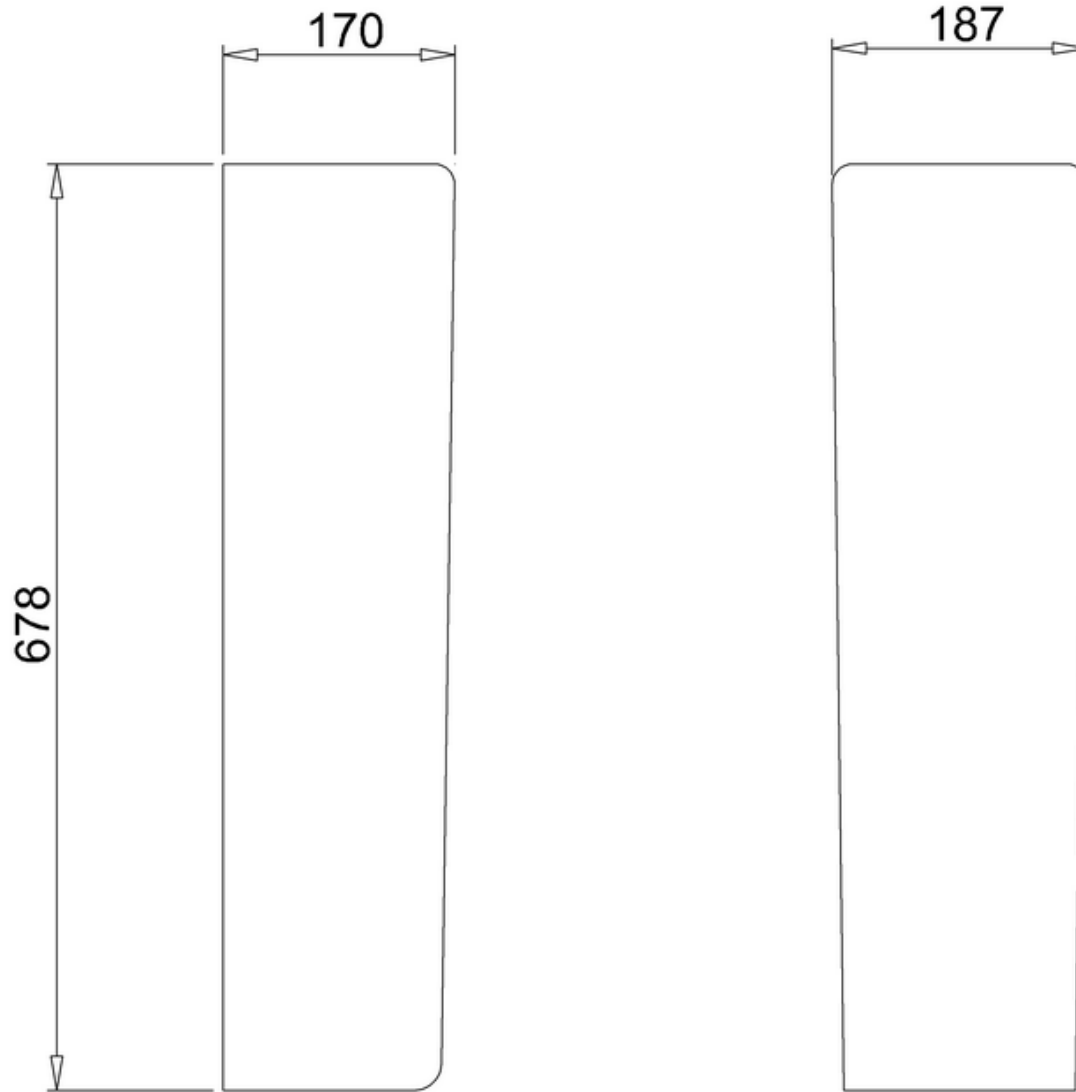
- 1: Flatness of installation surface: 0~2mm
- 2: Flatness of whole surface: 0~5mm
- 3: Flatness of main surface: 0~5mm
- 4: Flatness of side surface: 0~4mm
- 5: Distance from tap hole to edge of bowl: Max.80mm
- 6: Dim from basin back to center tap hole: Min.55mm
- 7: Distance between tap hole to drain hole: Max.170mm
- 8: Depth from tap platform to drain hole: Max.250mm





bathstore

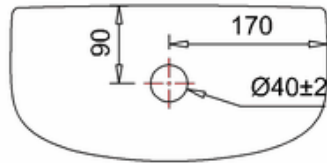
41900080100 - SOHO PEDESTAL WHITE





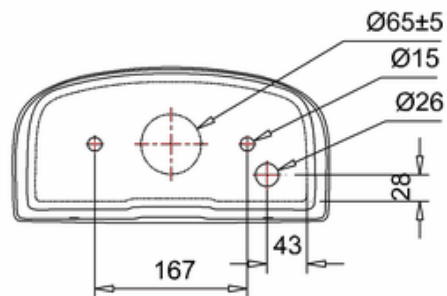
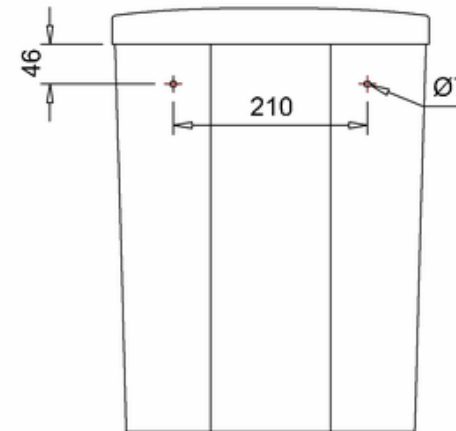
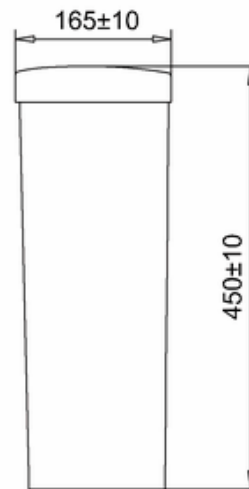
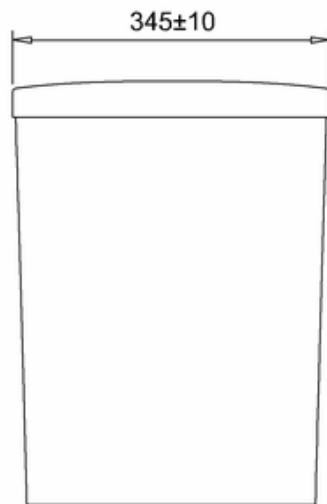
bathstore

41900070060 - SOHO CLOSE COUPLED CISTERN WHITE EXCLUDING FITTINGS S345



Remark:

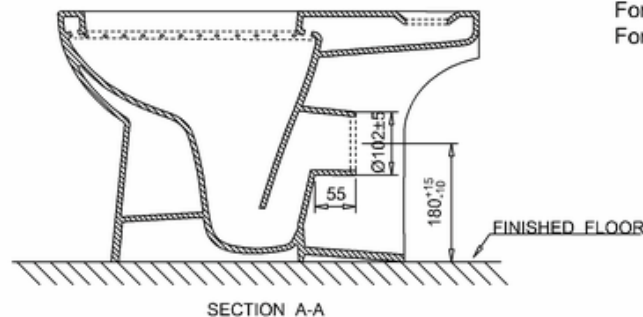
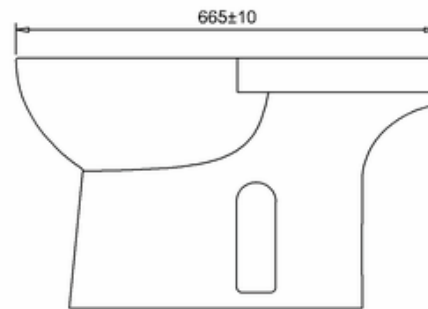
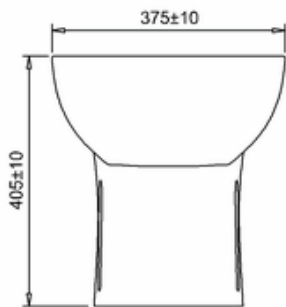
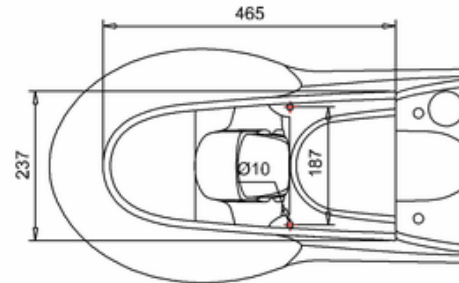
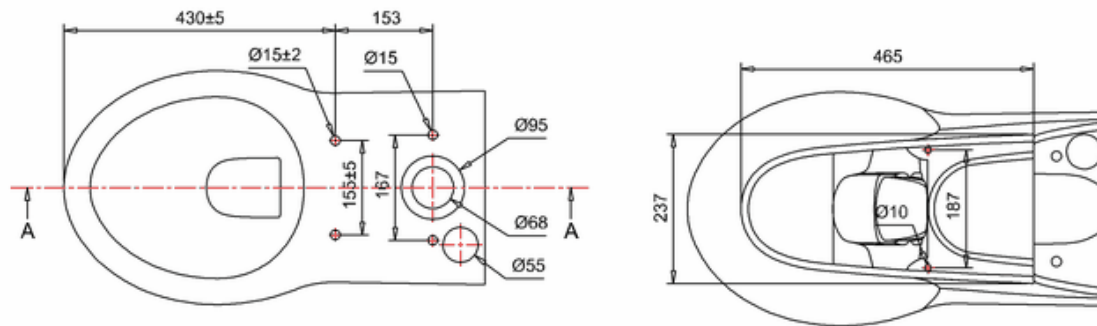
- 1: Flatness of installation surface: 0~2mm
- 2: Flatness of whole surface: 0~5mm
- 3: Flatness of main surface: 0~5mm
- 4: Flatness of side surface: 0~4mm





bathstore

41900070050 - SOHO CLOSE COUPLED PAN WHT C345P



Remark:

- 1: Flatness of installation surface: 0~2mm
- 2: Flatness of whole surface: 0~5mm
- 3: Depth of water seal: Min.50mm
- 4: Spigot length: Min.40mm
- 5: Clearance around spigot: Min.150mm
- 6: Height difference between left and right: 0~6mm
- 7: Height difference between front and rear: 0~6mm
- 8: From seat hole to front rim:
For the top control as 2mm;
For the bottom as 6mm



bathstore

**41200100810 - SOHO THERMOSET SOFT CLOSE SEAT WHT
SINGLE BUTTON RELEASE**

