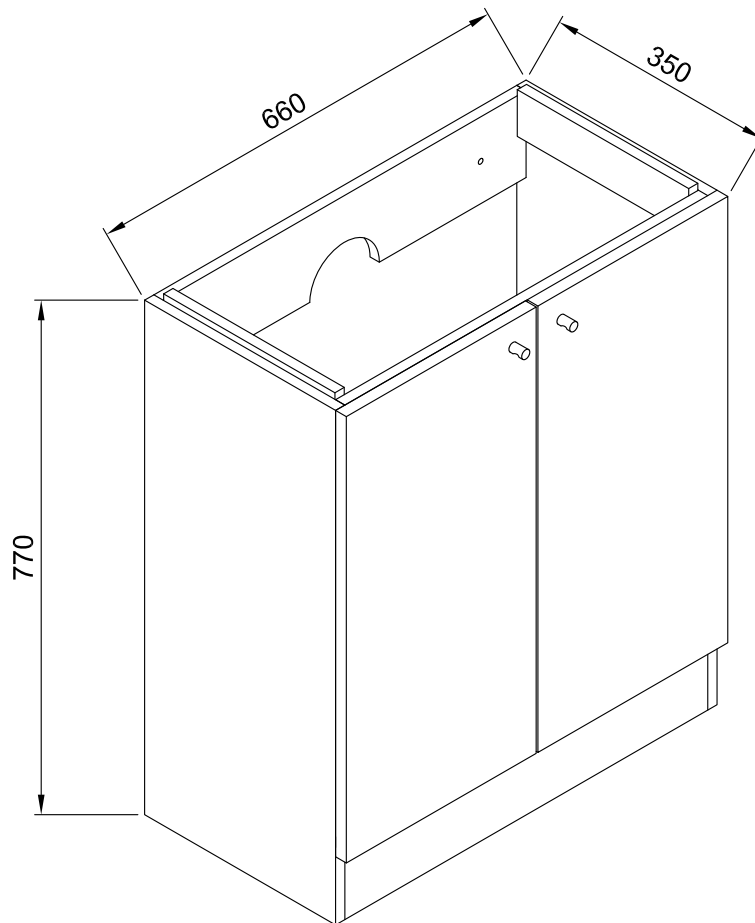
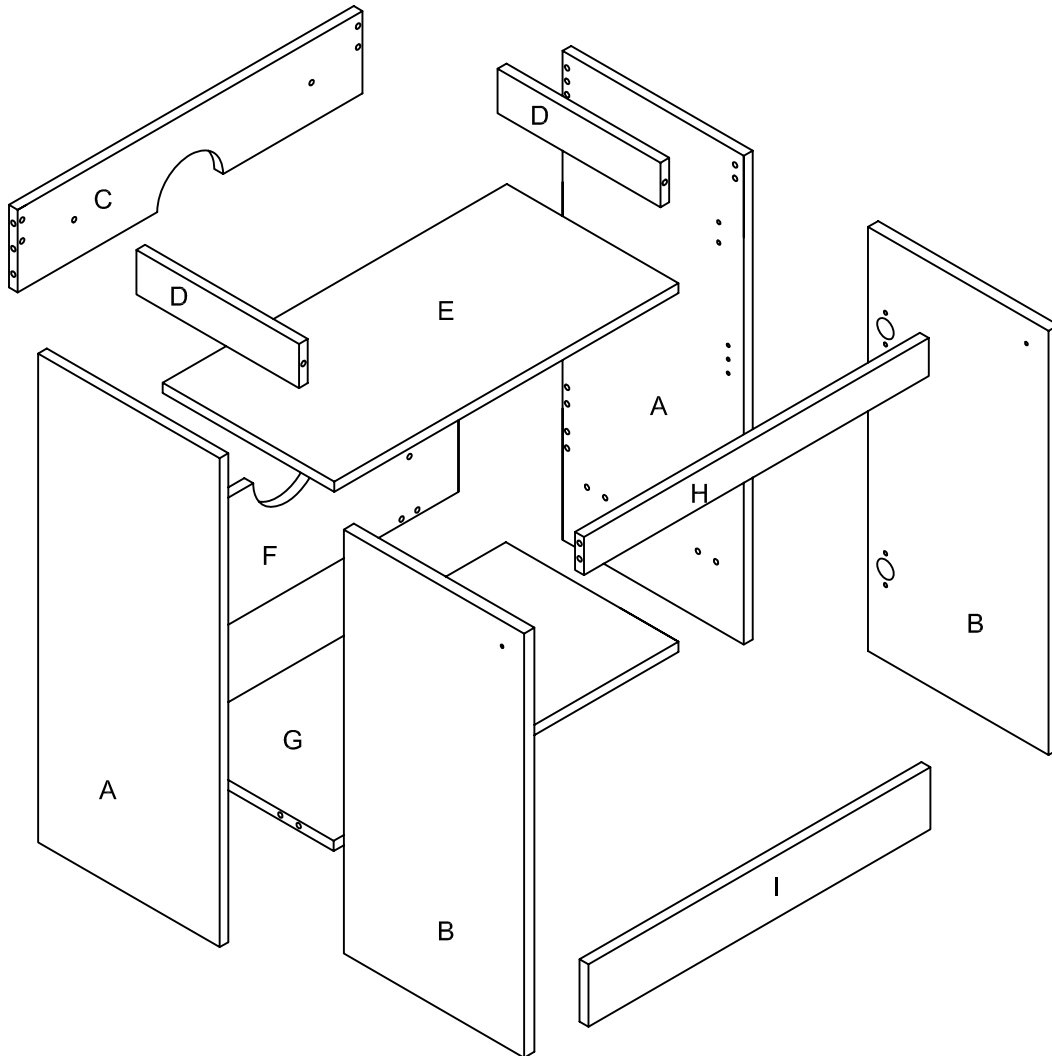















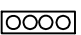




ALPINE FLOOR STANDING VANITY UNIT Assembly Instructions






Width 660mm
Depth 350mm
Height 770mm

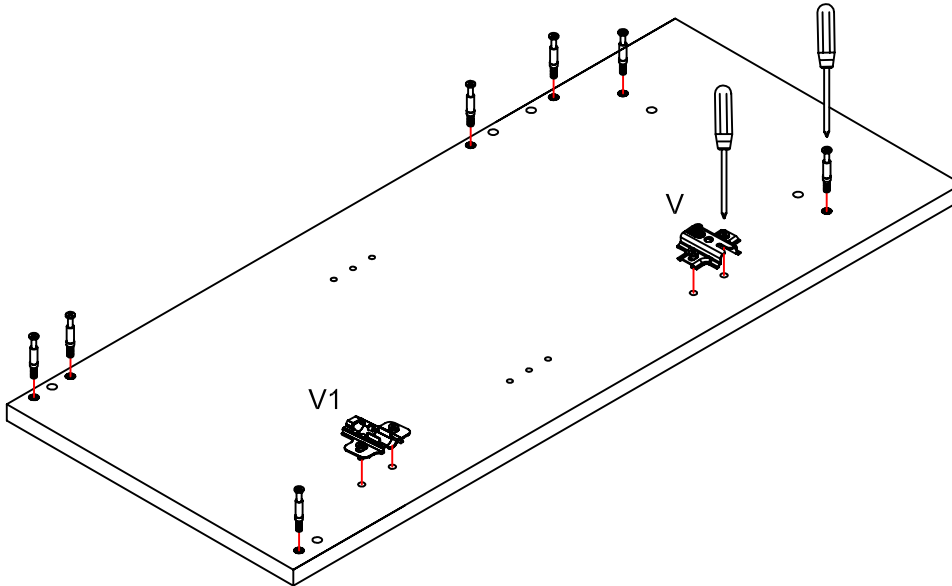
- **White units have protective film on the front and side panels, please remove this film after installation.**




TOOLS REQUIRED:


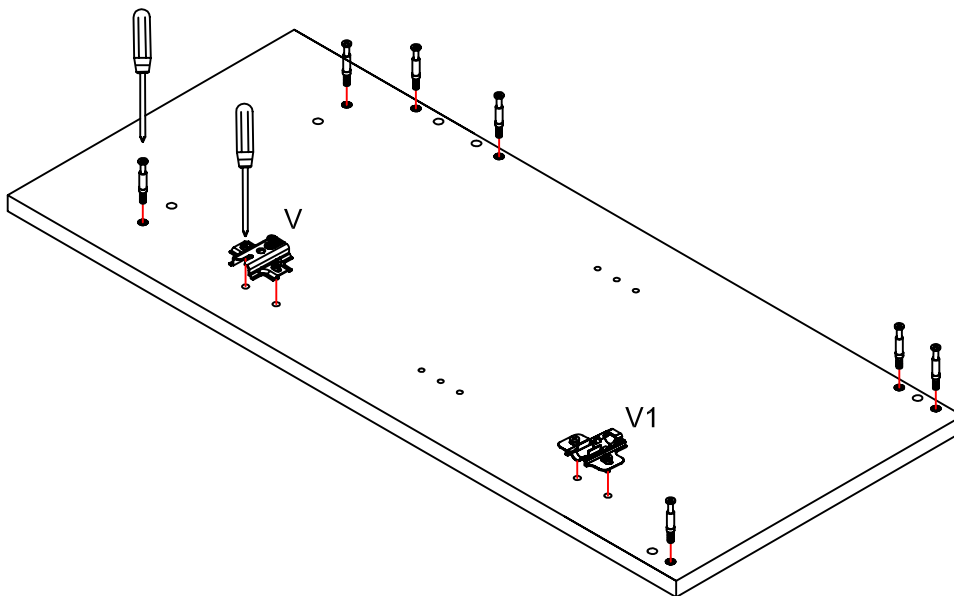
CODE	SIZE (mm)	QTY	CODE	DIAGRAM	QTY	CODE	DIAGRAM	QTY
A	770 x 330 x 16	2	J		20	T		2
B	668 x 328 x 18.5	2	K		14	U		2
C	130 x 627 x 16	1	L		14	V		2
D	70 x 297 x 16	2	M		12	W		2
E	312 x 626 x 16	1	N		2	V1		2
F	200 x 627 x 16	1	O		8	W1		2
G	314 x 627 x 16	1	P		4	X		4
H	60 x 627 x 16	1	Q		4	Y		4
I	98 x 627 x 16	1	S		2	Z		4


Step 1:

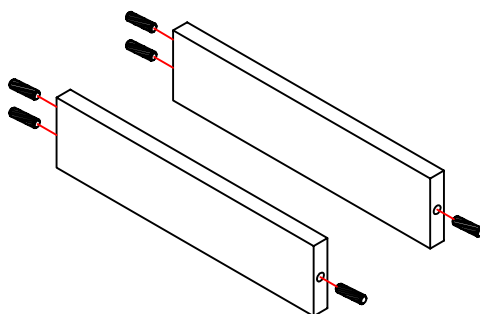
CODE	SIZE/DIAGRAM	QTY
A	770 x 330 x 16	x1
L		x7
V		x1
V1		x1

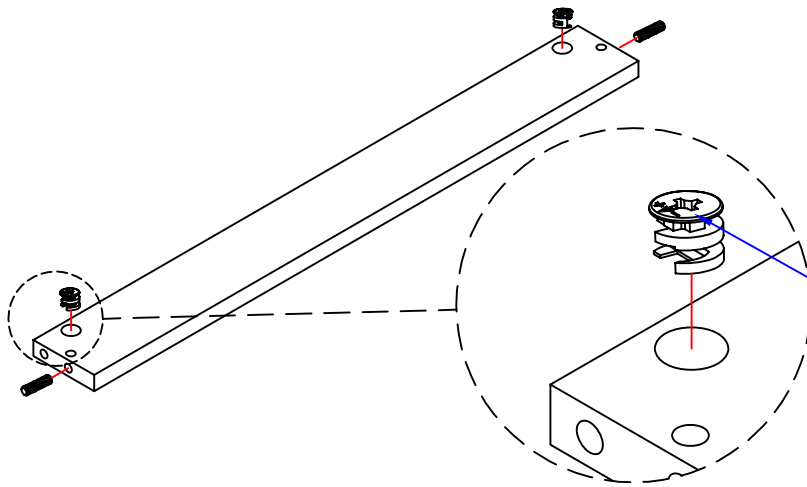

Step 2:



CODE	SIZE/DIAGRAM	QTY
A	770 x 330 x 16	x1
L		x7
V		x1
V1		x1


Step 3:

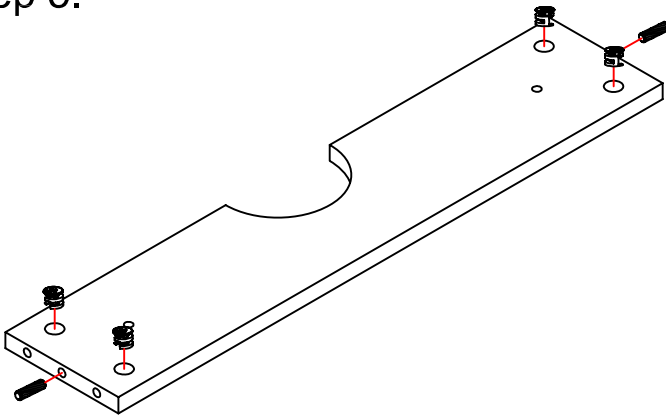
CODE	SIZE/DIAGRAM	QTY
D	70 x 297 x 16	x2
J		x6





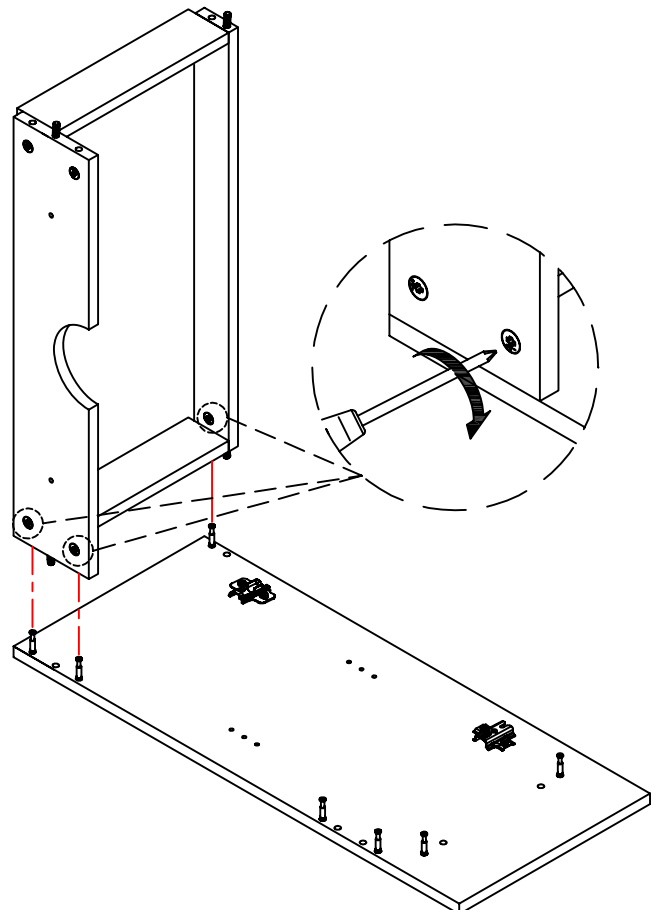
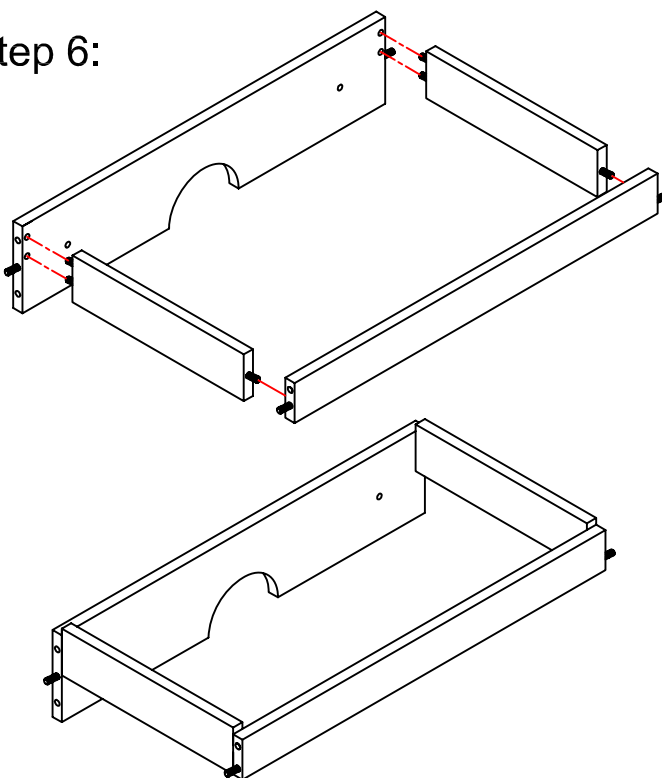
Step 4:


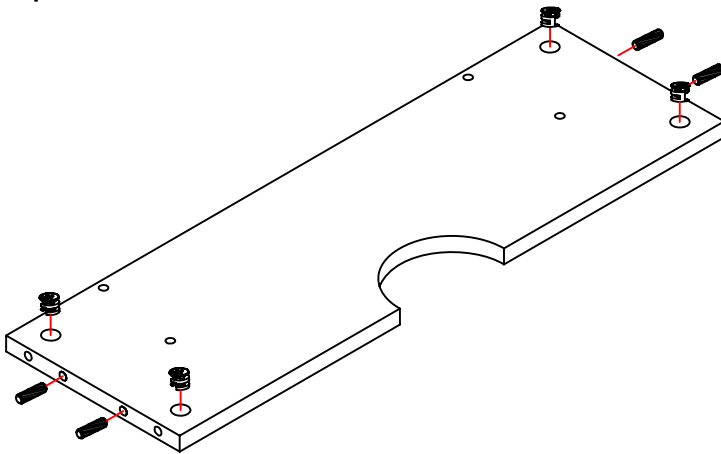
CODE	SIZE/DIAGRAM	QTY
H	60 x 627 x 16	x1
J		x2
K		x2



For assembly the position of part K should be as shown in the diagram.

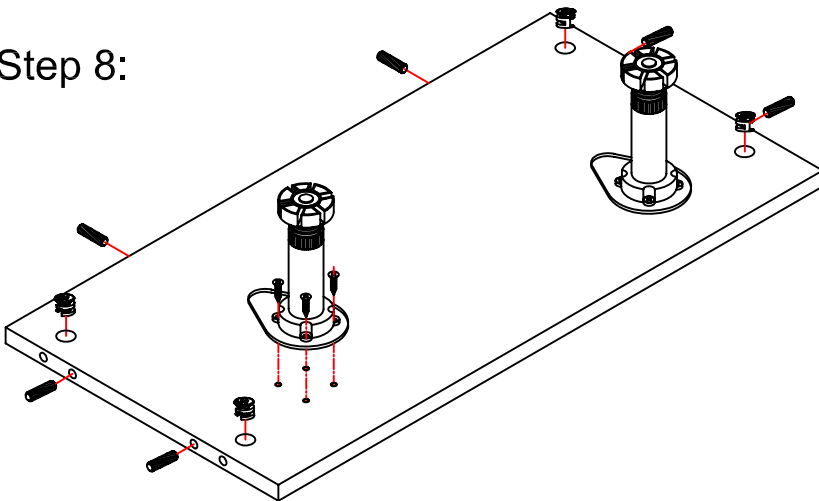
Step 5:




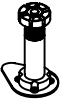

CODE	SIZE/DIAGRAM	QTY
C	130 x 627 x 16	x1
J		x2
K		x4

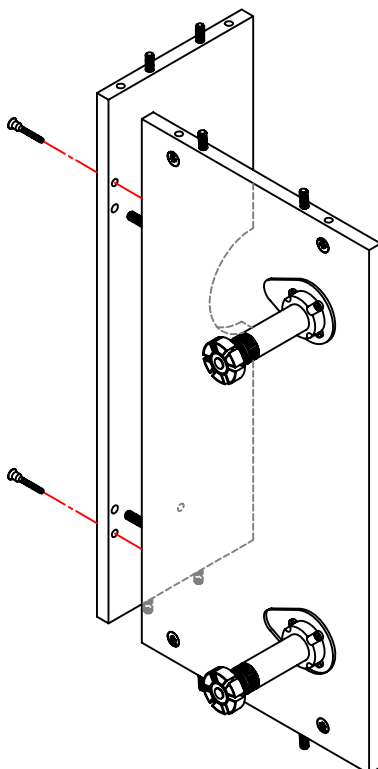
Step 6:


Step 7:


CODE	SIZE/DIAGRAM	QTY
F	200 x 627 x 16	x1
J		x4
K		x4

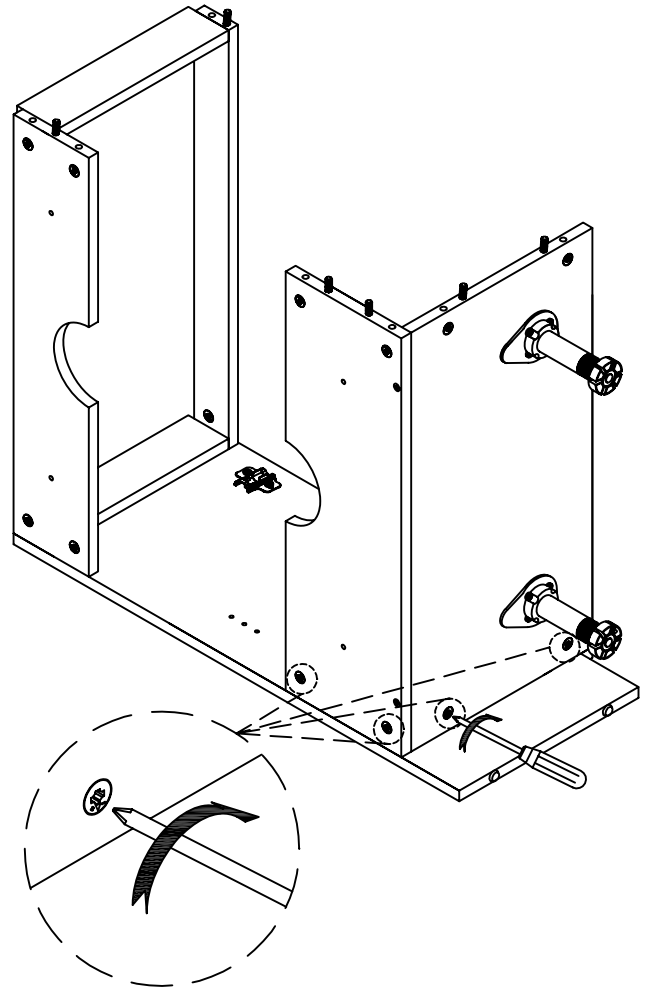
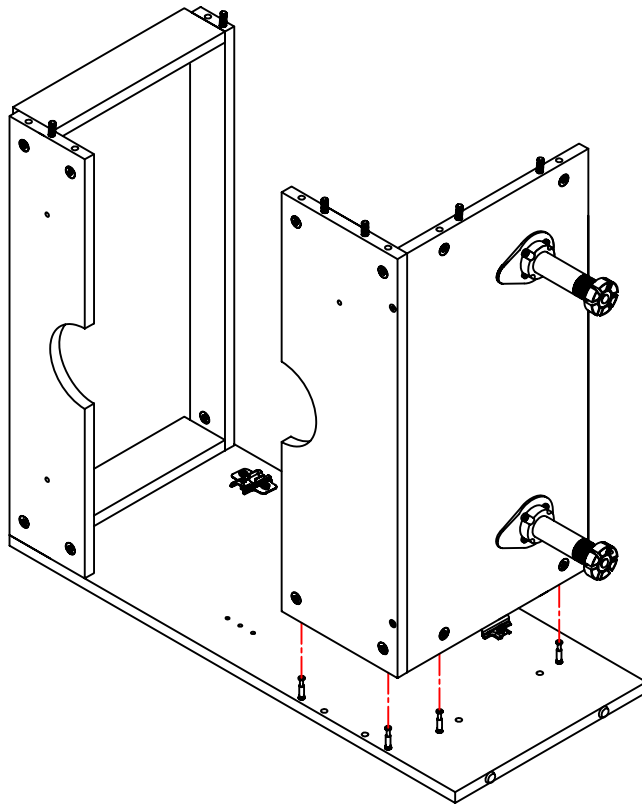
Step 8:


CODE	SIZE/DIAGRAM	QTY
G	314 x 627 x 16	x1
J		x6
K		x4
T		x2
M		x8

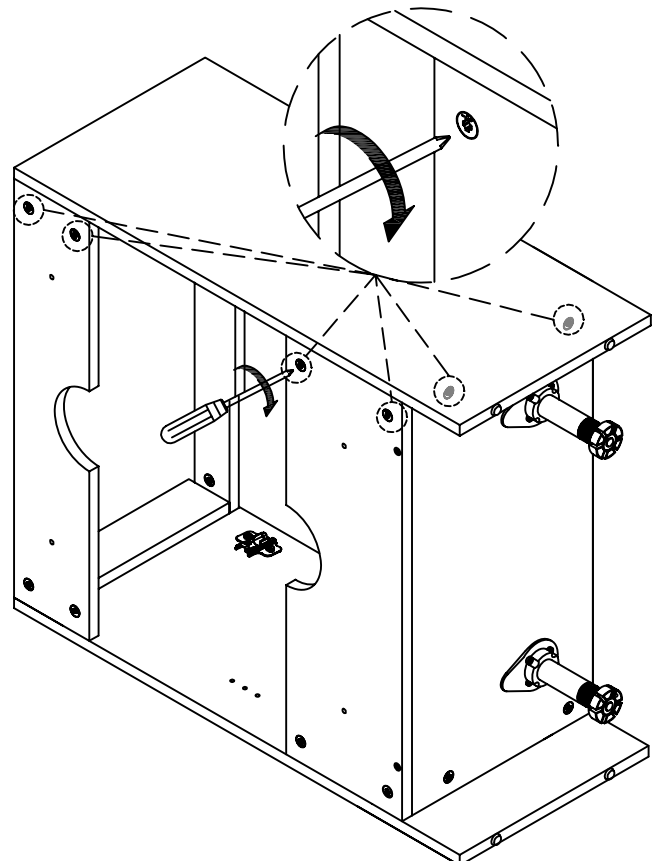
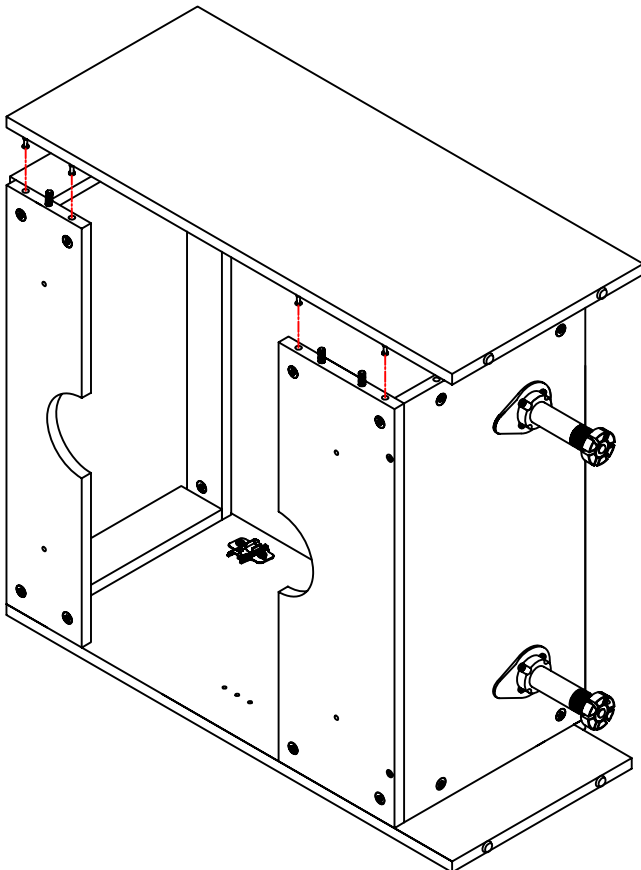
Step 9:


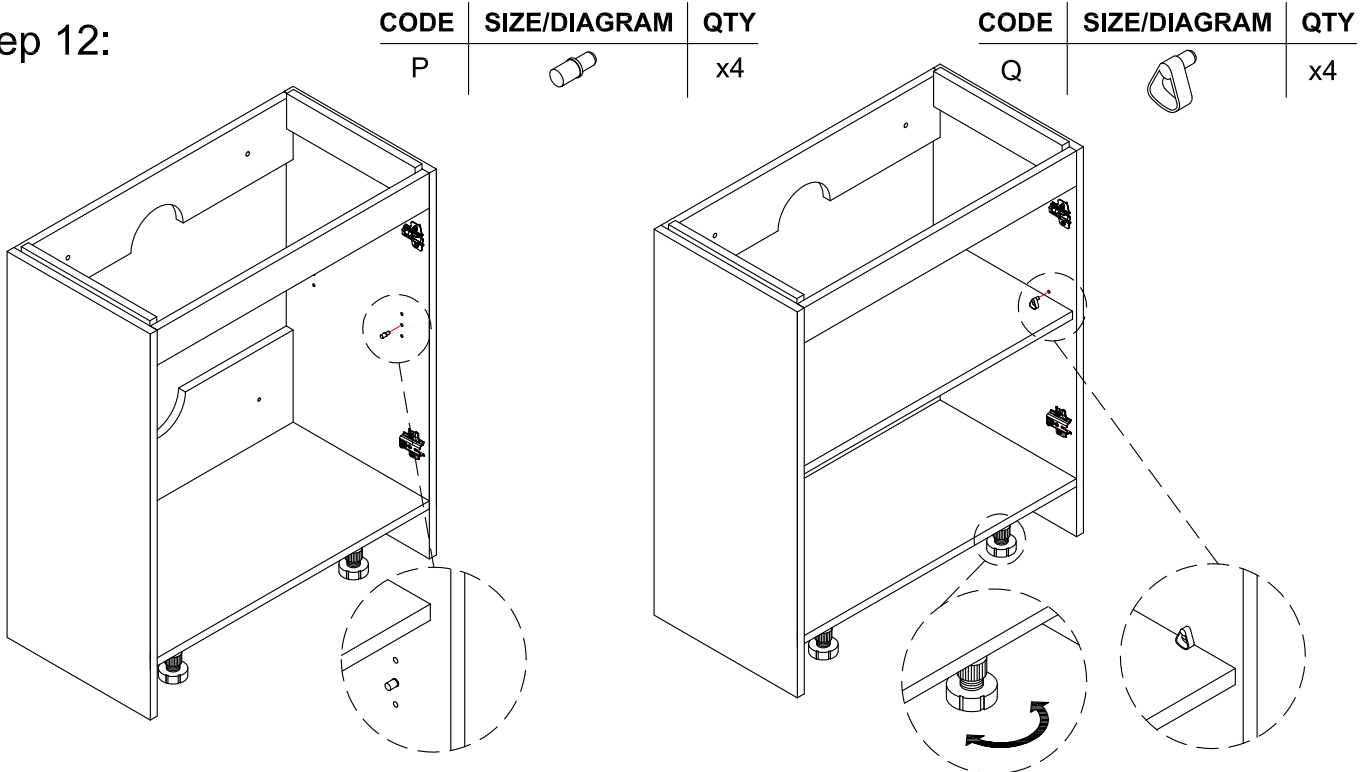
CODE	SIZE/DIAGRAM	QTY
N		x2

Step 10:

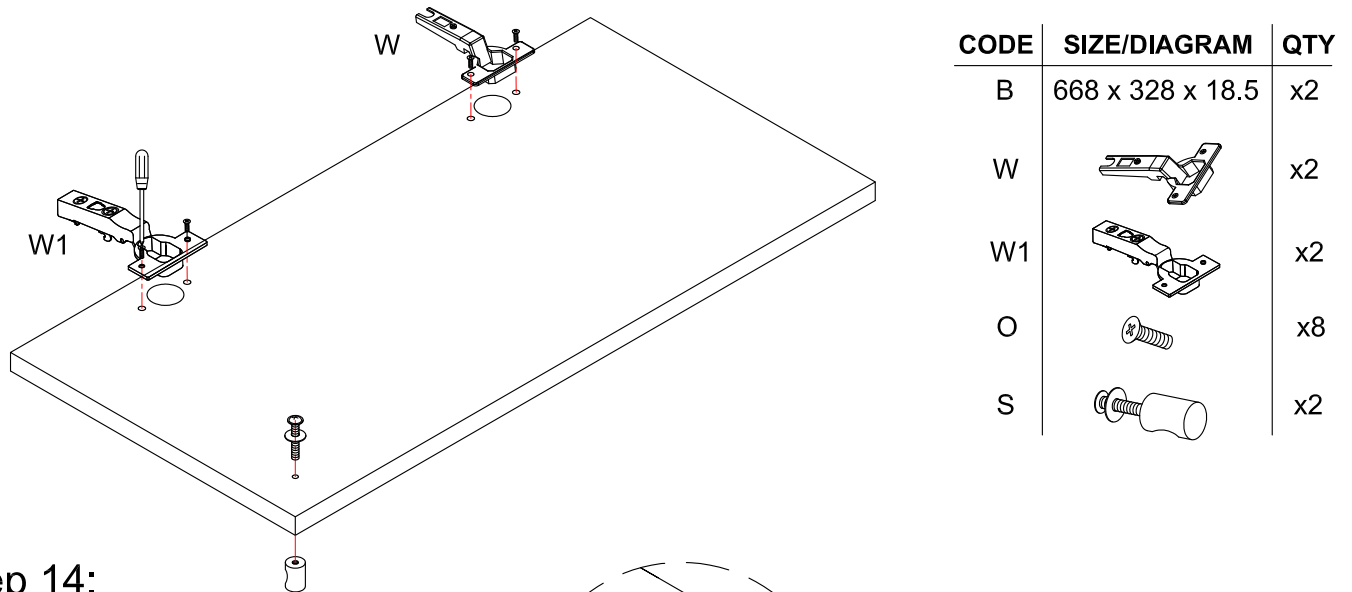
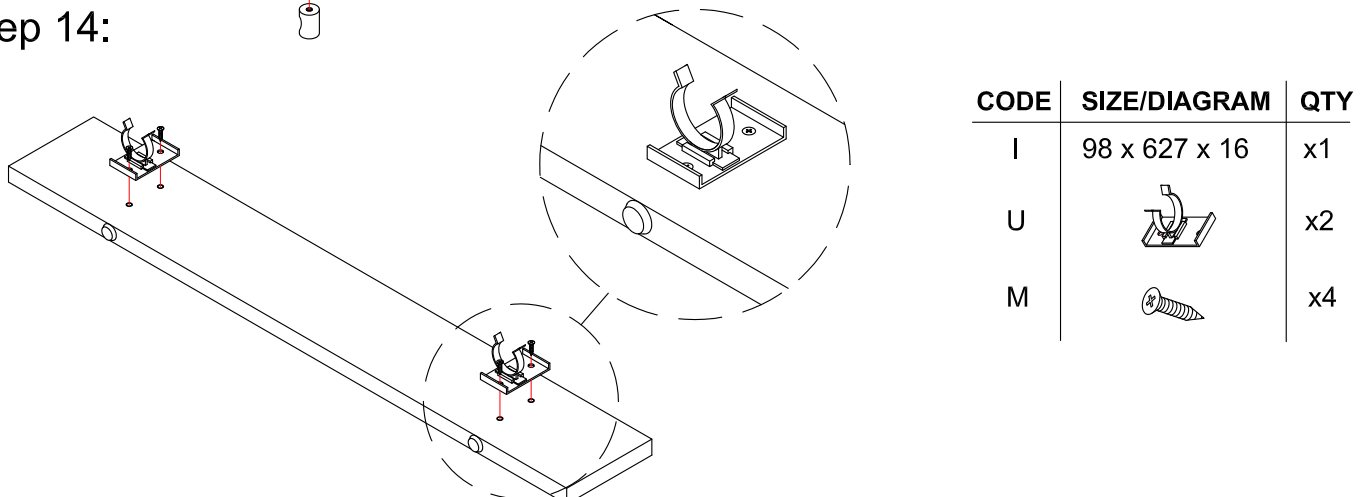


Step 11:



Step 12:

Step 13:

W1 is the soft close action hinge, and Hinge W is the sprung hinge.



Step 14:




Step 15:

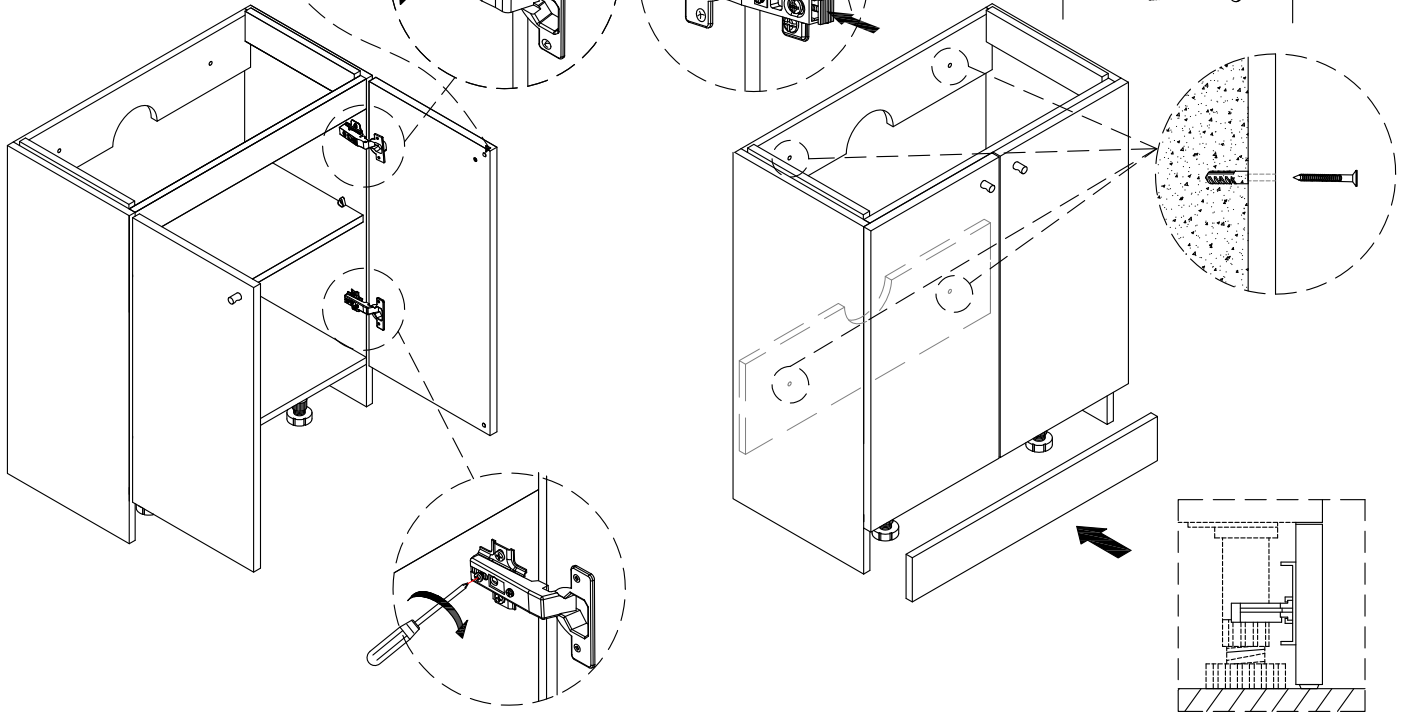
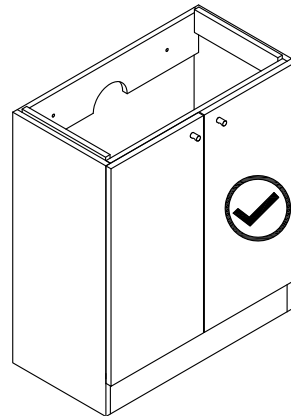
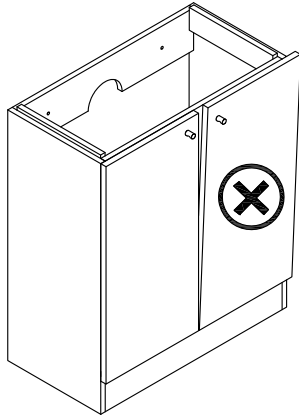
Press the hinge plate towards the base and click it onto the base.

Press the end of the hinge plate to release it from the base.

Step 16:

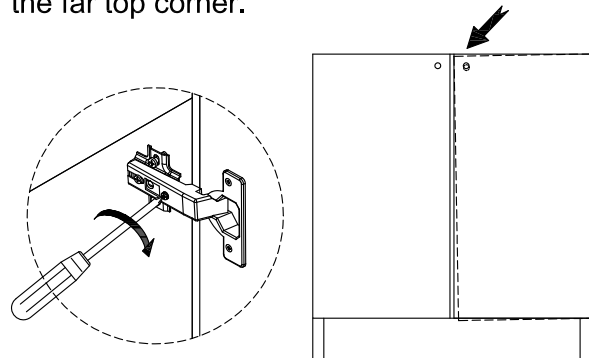
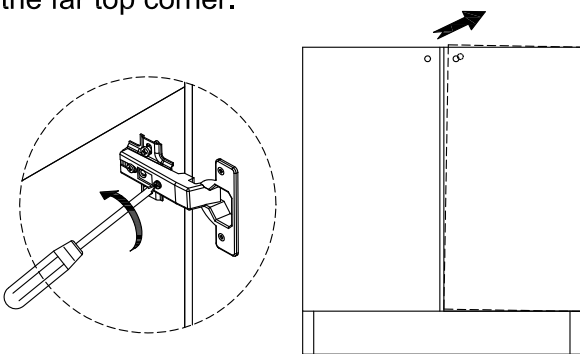
CODE	SIZE/DIAGRAM	QTY
X		x4

CODE	SIZE/DIAGRAM	QTY
Y		x4
Z		x4


Only if adjustment is required !


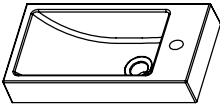
Anti-Clockwise adjustment lifts the far top corner.

Clockwise adjustment drops the far top corner.

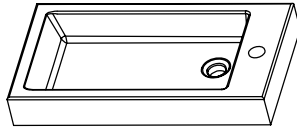


ALPINE BASIN INSTALLATION

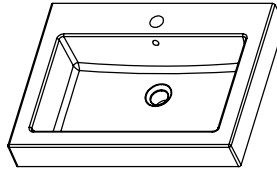
41405002560



41405002580



41405002570 / 41405002670



41405002590

