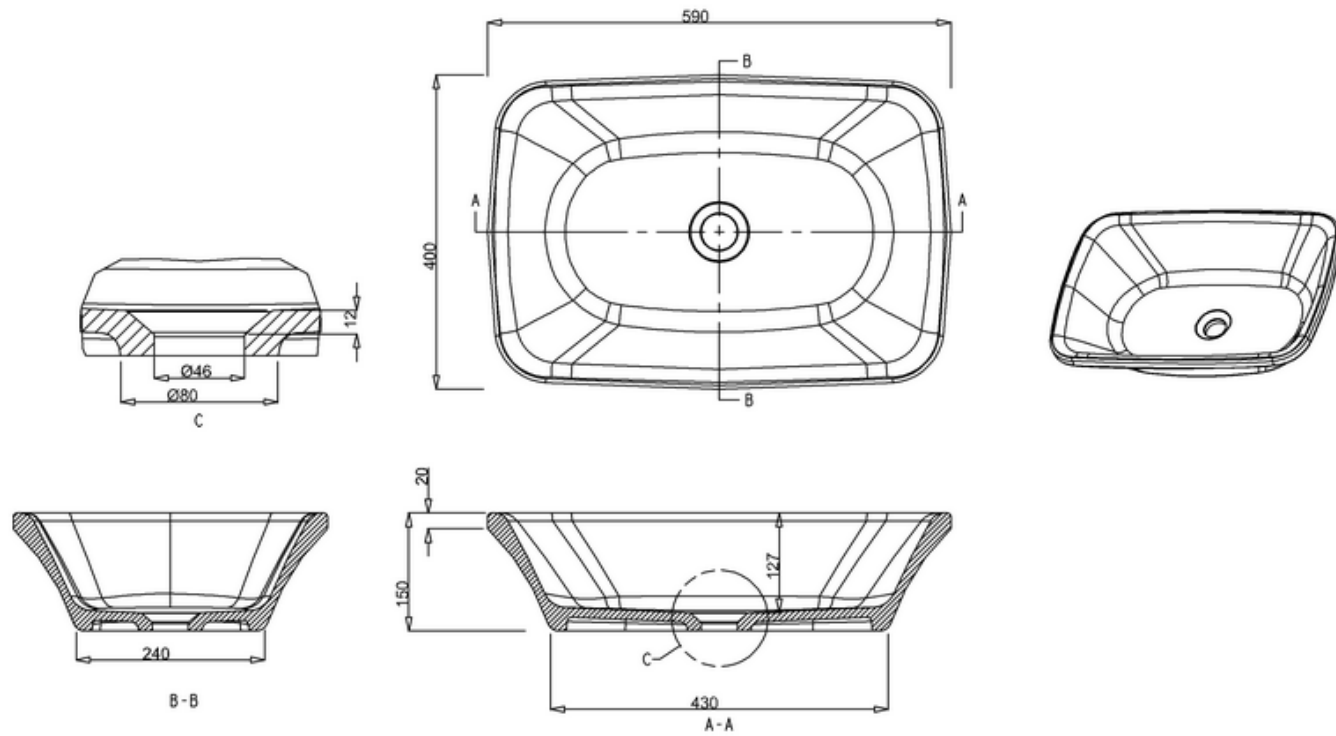




**bathstore**

## 41405003310 - LONDON COUNTERTOP BASIN





## 20004011245 - Free flow waste

### Note:

For the each part, the dimension tolerance should be followed the list below.

0 - 100	101 - 200	201 - 400	e401
±1	±2	±3	±5

For the finished assembly, the dimension tolerance should be followed the list below.

0 - 300	e301
±2	±5

