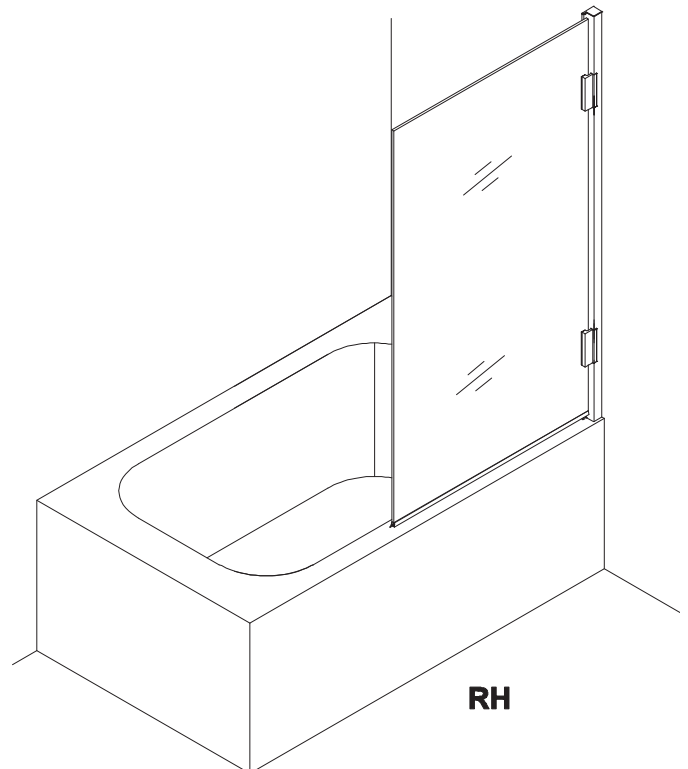
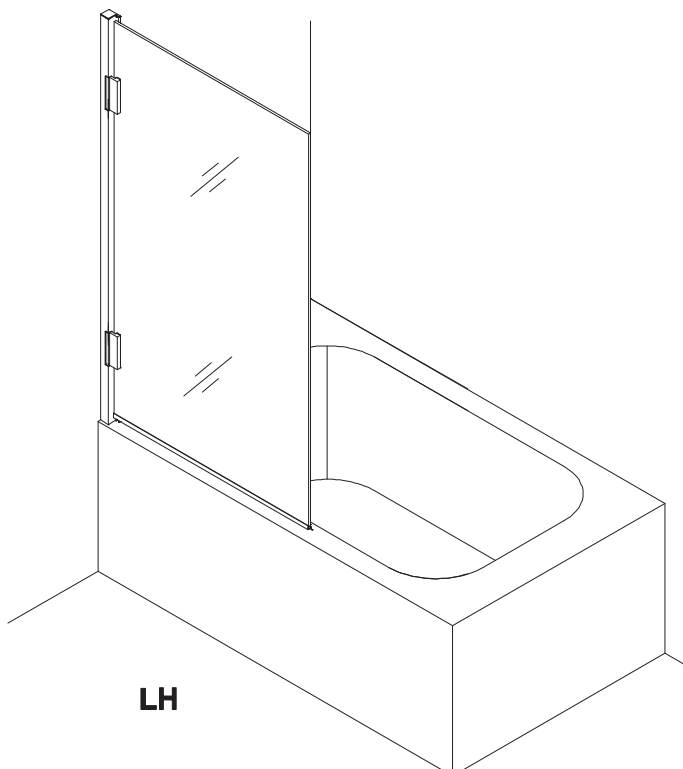
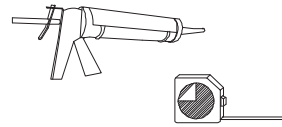
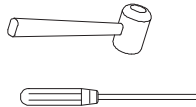
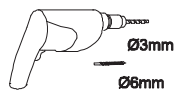
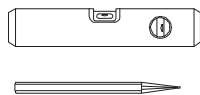
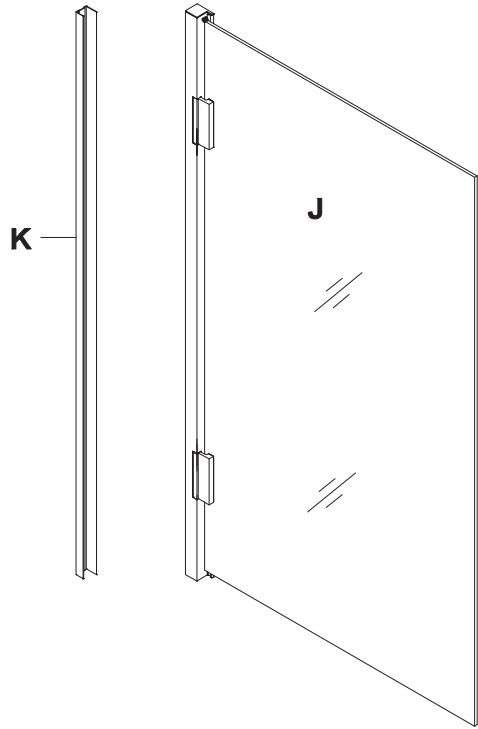



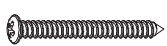
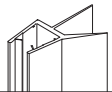
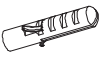


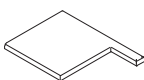


Vetri Bath Screen Installation Instructions

- Prior to installation check that all fittings have been supplied.
- The bath should be installed by a competent person. The bath should be level, the walls should be tiled down to the bath, and the horizontal joint between the tiles and bath must be sealed with silicone sealant to ensure water-tightness.
- Handle with care. Impacts can damage both the glass and the frame.
- Please check for any hidden pipes or cables before drilling holes in the wall.
- The success of the installation and operation is, of course, dependant on the squareness, alignment and construction of the walls to which the enclosure is fixed. If the walls are significantly out of true we recommend dry lining the walls to ensure they are both vertical and at 90 ° to each other.
- The enclosure is reversible: " door can be either left or right opening. "
In the remainder of this manual the illustrations will only show the left hand installation.
- The wall fixings supplied may not be suitable for your installation. You may need to source alternatives depending on the construction of the wall you are fixing to.

Tools Required:





			E	 Cover	3x
A	 ST3.9*45mm Screw	3x	F	 Waterproof Strip (door)	1x
B	 Wall Plug	3x	G	 4mm Allen key	1x
C	 ST3.9*13mm Screw	3x	H	 Cover (LH)	1x
D	 Washer	3x	I	 Cover (RH)	1x

