

This product should only be fitted by a qualified plumber to NVQ (National Vocational Qualification) or SNVQ (Scottish National Vocational Qualification) Level 3. Should the installation be completed by a non-qualified person then the guarantee may be considered invalid.

For a claim made under our warranty written certification of your installers credentials can be required. For further information or to find a qualified installer in your area please visit the Institute of Plumbers website - www.iphe.org.uk

QUALIFICATIONS

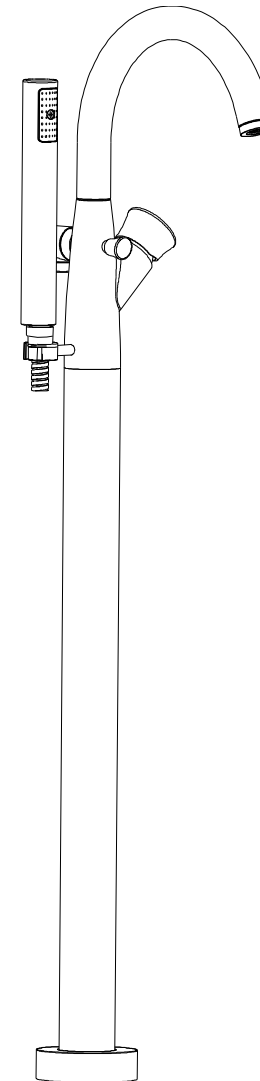
At present, to be a plumber you need to follow the National Vocational Qualification (NVQ) route (Scottish National Vocational Qualification - SNVQ - in Scotland). These qualifications are made up of theory and practical work in the classroom/purpose built training facility and work based experience with a working plumber. Colleges should help students find a work placement, although many students organise it themselves.

The S/NVQ qualification works in levels. All recently qualified plumbers should hold S/NVQ Level 2 as basic with Level 3 as the preferred level. Level 2 will give you the foundation you need for a career in plumbing and teach you domestic plumbing to a satisfactory level. Level 3 is more comprehensive and deals with domestic, commercial and industrial plumbing along with aspects such as gas - if you want to one day set up your own business, this is the level to reach. The Institute of Plumbing and Heating Engineering, and the industry as a whole recommends that all plumbers reach a minimum of Level 3.

Reaching Level 3 has other advantages. The Institute runs a Master Plumber Certificate, which only those attaining Level 3 or equivalent can reach as long as they have the relevant experience as well. Those with S/NVQ Level 3 can (once in membership with the Institute for five years as a Member MIPHE) gain Engineering Technician EngTech status with the Engineering Council (UK).

For any further information please visit our web-site at www.bathstore.com

The manufacturer reserves the right to make technical modifications without prior notice.



INSTALLATION INSTRUCTIONS

INTRODUCTION

Please read these instructions carefully and keep in a safe place for future reference.

General Installation Requirements.

The installation must comply with regulations of the Local Water Authority as contained in their bylaws. All of the taps in this range are single flow (the hot and cold water mix in the body) and should therefore be supplied with hot and cold water at balanced pressures, both from the tank or both from the mains (via a combination boiler for example). If the taps are not supplied at balanced pressures then the mixer will not function correctly. It will also be necessary to fit non-return valves on both hot and cold feeds. It is very important that all pipework is flushed thoroughly after installation to avoid damaging the ceramic valves.

Minimum/Maximum working pressure

These taps are suitable for high pressure installations. They are fitted with a single lever ceramic disc which provides a smooth movement. The minimum work pressure is 1.5 bar. The maximum work pressure is 5 bar. If the mains pressure is over 5 bar, a pressure reducing valve should be fitted.

Approvals

All products are manufactured using materials tested and approved under the Water Bylaws Scheme and comply with requirements of EN200 where applicable.

Preparation and byelaw requirements

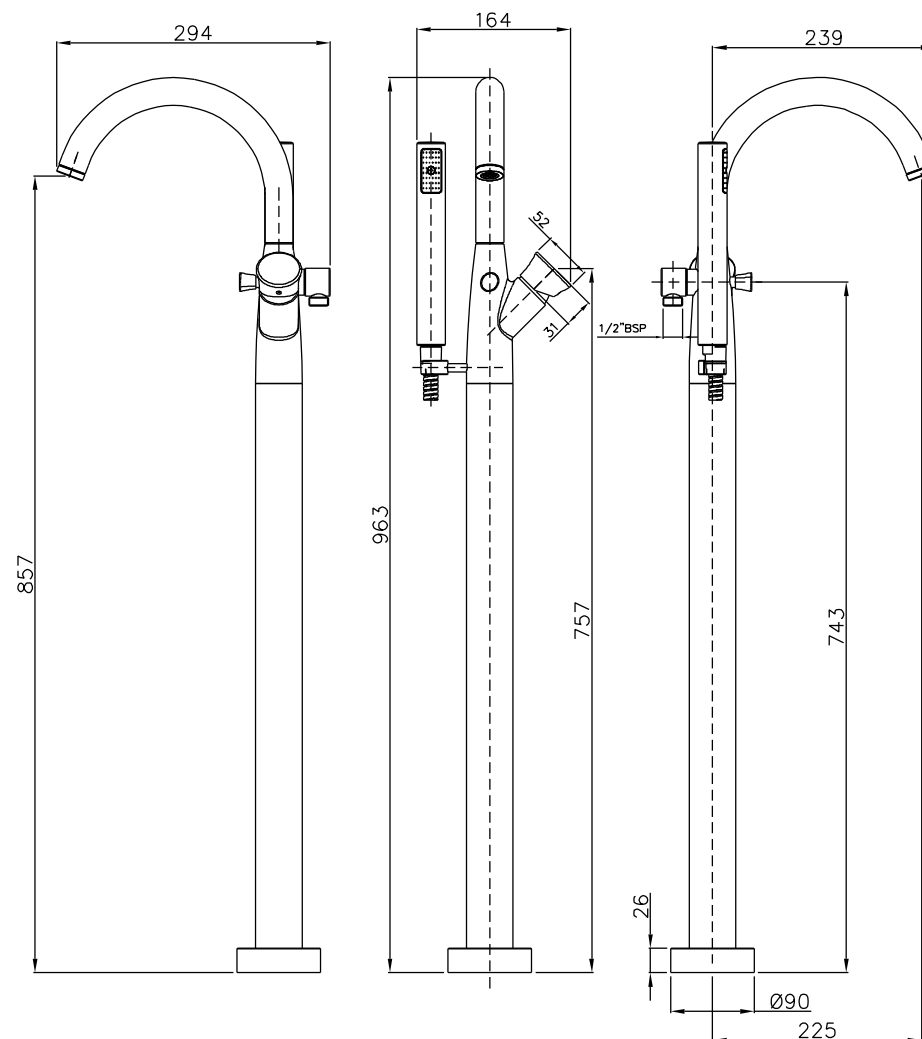
These taps are single flow so the hot and cold water mix in the body. Water byelaws require that where the hot water is supplied from a tank and cold from the mains, non return valves are fitted on both hot and cold pipes as close as possible to the tap. These are not supplied. Where combination boilers are fitted it is only necessary to shut off the incoming mains and turn the boiler off and non return valves are not required.

WARNING

Before installing the new mixer it is essential that you thoroughly flush through the supply pipes in order to remove any remaining swarf, solder or other impurities. Failure to carry out this simple procedure could cause problems or damage to the working of the mixer.

These hints have been prepared for your guidance, you must exercise due care at all times. We do not accept responsibility for any problems that may occur through incorrect installation

DIMENSIONS



NOTE: ALL DIMENSIONS IN MILLIMETRES

INSTALLATION

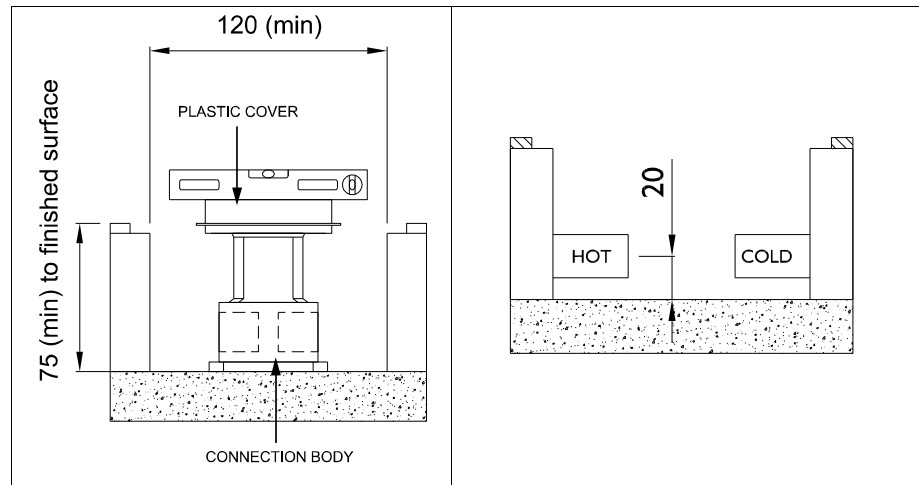
First shut off your water heating system then, with your mains stop cock closed, open the lowest hot and cold taps in the house and allow to run until the cold storage tank and pipes are empty (the hot water storage cylinder always remains full).

Fitting isolating valves to the inlet feeds is recommended for ease of maintenance.

INSTALLATION



Remember to turn off the mains water supply before connecting to any Existing pipe work.



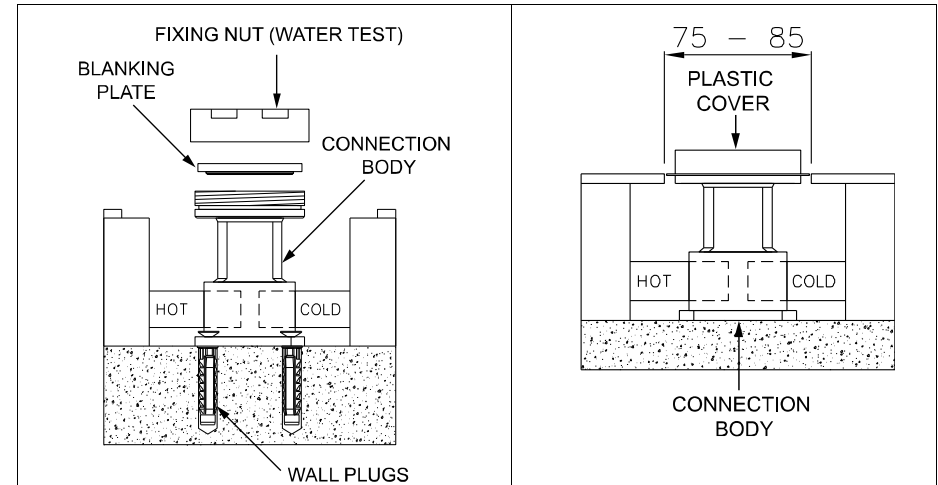
Create the seat for the connection body and for the supply pipes complying with the indicated sizes.

Note: Make sure enough space is left in the seat to allow future maintenance of the product.

Position the connection body in its seat in the ground as shown with the plastic cover attached.

Check with a water level that the connection body is positioned flat and check that the depth of the connection body is within its required parameters.

INSTALLATION



Connect the pipes to the body as indicated using PTFE tape to guarantee threads tightness. Isolation valves need to be placed in an accessible position for future maintenance (not below floor level).

Note: Make sure hot feed is from the left as shown.

Fix connection body to the ground using fixings as shown.

Note: Discard 4 x bolts if not required.

Screw fixing nut with blanking plate onto connection body. Make sure seal on blanking plate is facing downwards as shown. Turn the water feed on and check that there are no leakages before proceeding with the installation.

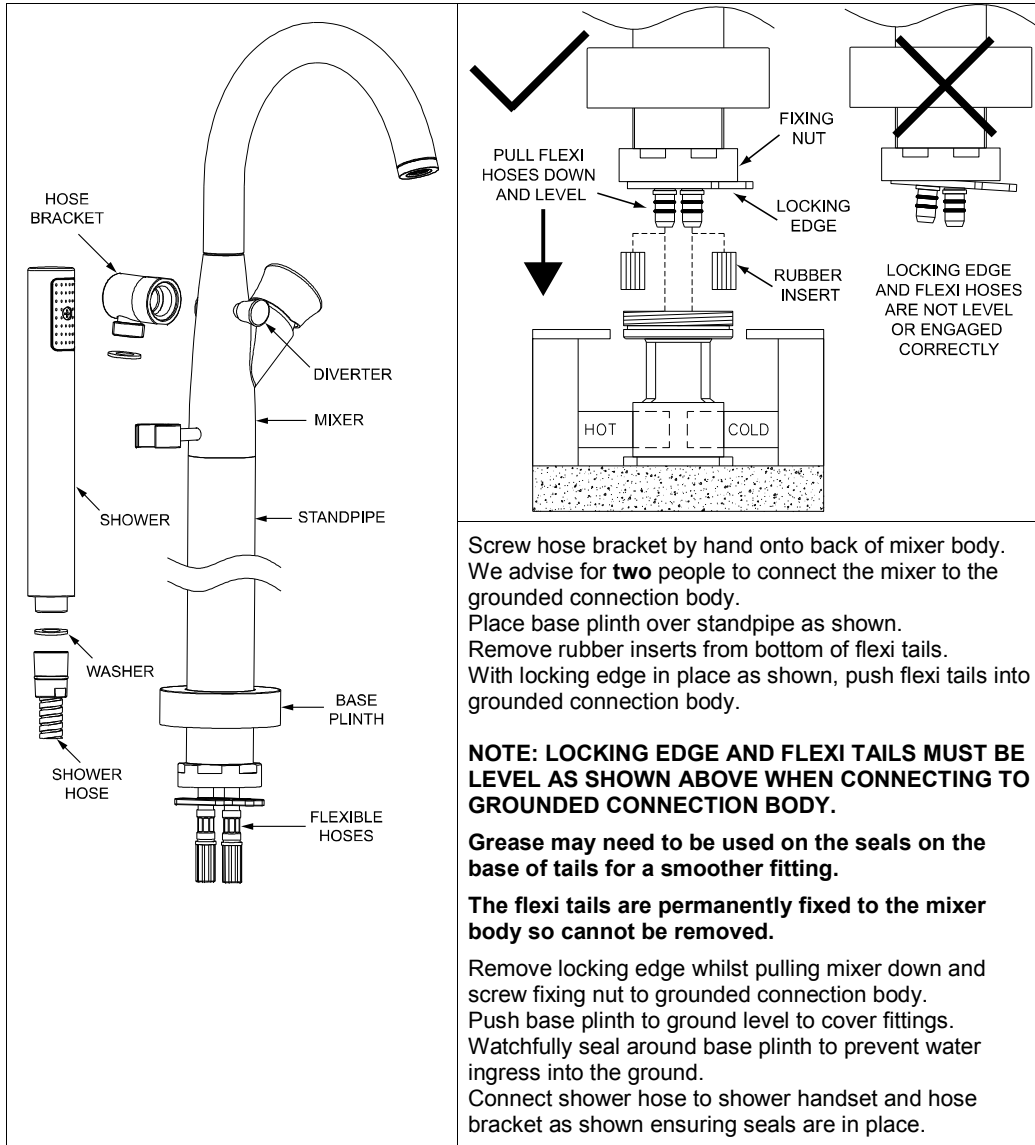
Isolate hot and cold water supplies, and then remove fixing nut and blanking.

Note: Once removed you can discard fixing nut and blanking plate.

Place plastic cover onto connection body and tidy and cover up hole to parameters shown.

Note: Once tiled plastic cover can be discarded.

INSTALLATION



NOTE: LOCKING EDGE AND FLEXI TAILS MUST BE LEVEL AS SHOWN ABOVE WHEN CONNECTING TO GROUNDED CONNECTION BODY.

Grease may need to be used on the seals on the base of tails for a smoother fitting.

The flexi tails are permanently fixed to the mixer body so cannot be removed.

Remove locking edge whilst pulling mixer down and screw fixing nut to grounded connection body. Push base plinth to ground level to cover fittings. Watchfully seal around base plinth to prevent water ingress into the ground. Connect shower hose to shower handset and hose bracket as shown ensuring seals are in place.

ATTENTION

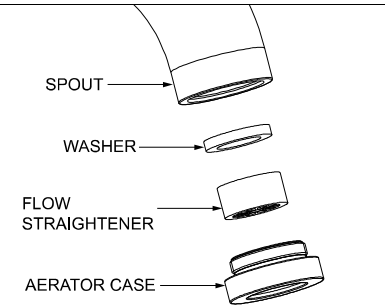
Having first checked all new connections, turn on the mains stop cock, close all taps except the new mixer and as the system starts to refill check for leaks. Once you have satisfied yourself that there are no leaks, switch on the water heating.

MIXER NOZZLE

Where the tap has a removable aerator on the spout exit it can be removed and cleaned periodically to maintain optimum flow performance.

To change the nozzle

Unscrew the aerator case by hand from the mixer taking care not to lose the washer. Replace the washer and nozzle and assemble in reverse order

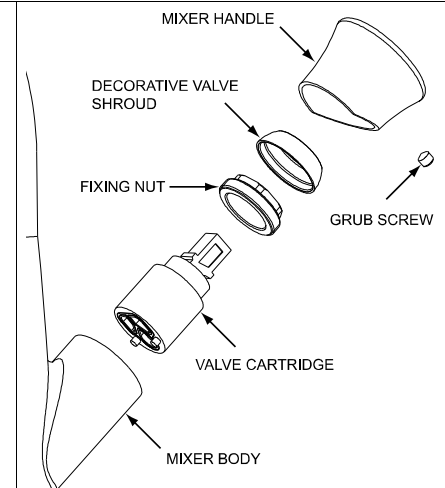


MAINTENANCE

To remove the valve cartridge

Loosen the grub screw on the underside of the handle using a 2.5mm A/F allen key. Pull the handle away from the mixer body. Unscrew the decorative valve shroud by hand.

Using a spanner unscrew the fixing nut anticlockwise. Replace the faulty valve cartridge with the new one and assemble in reverse order.



CLEANING

To maintain the appearance of this tap, ensure that it is regularly cleaned only using a clean, soft damp cloth. A solution of warm water and a mild liquid detergent may be used where necessary, and then the fitting rinsed thoroughly and wiped dry. Any other cleaning action or cleaning products will invalidate your warranty.

Note: For specialist finishes such as rose gold extra care must be taken to preserve the visible surfaces.

If the product has a removable spout diffuser it can be unscrewed and cleaned periodically in warm water to maintain flow.

Abrasive cleaners, scouring cleaners, limescale cleaners and acidic cleaners must not be used under any circumstances. Avoid contact with all solvents (including chlorinated solvents, ketones or acetones as these may result in surface deterioration or etching). Also avoid contact with any harsh household chemicals such as bleach cleaners, drain cleaners, rust removers, paint strippers and toilet bowl cleaners, toothpaste, mouthwash, bar keepers friend or Brasso.