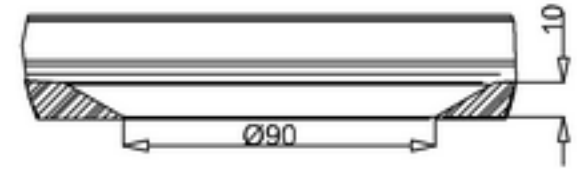
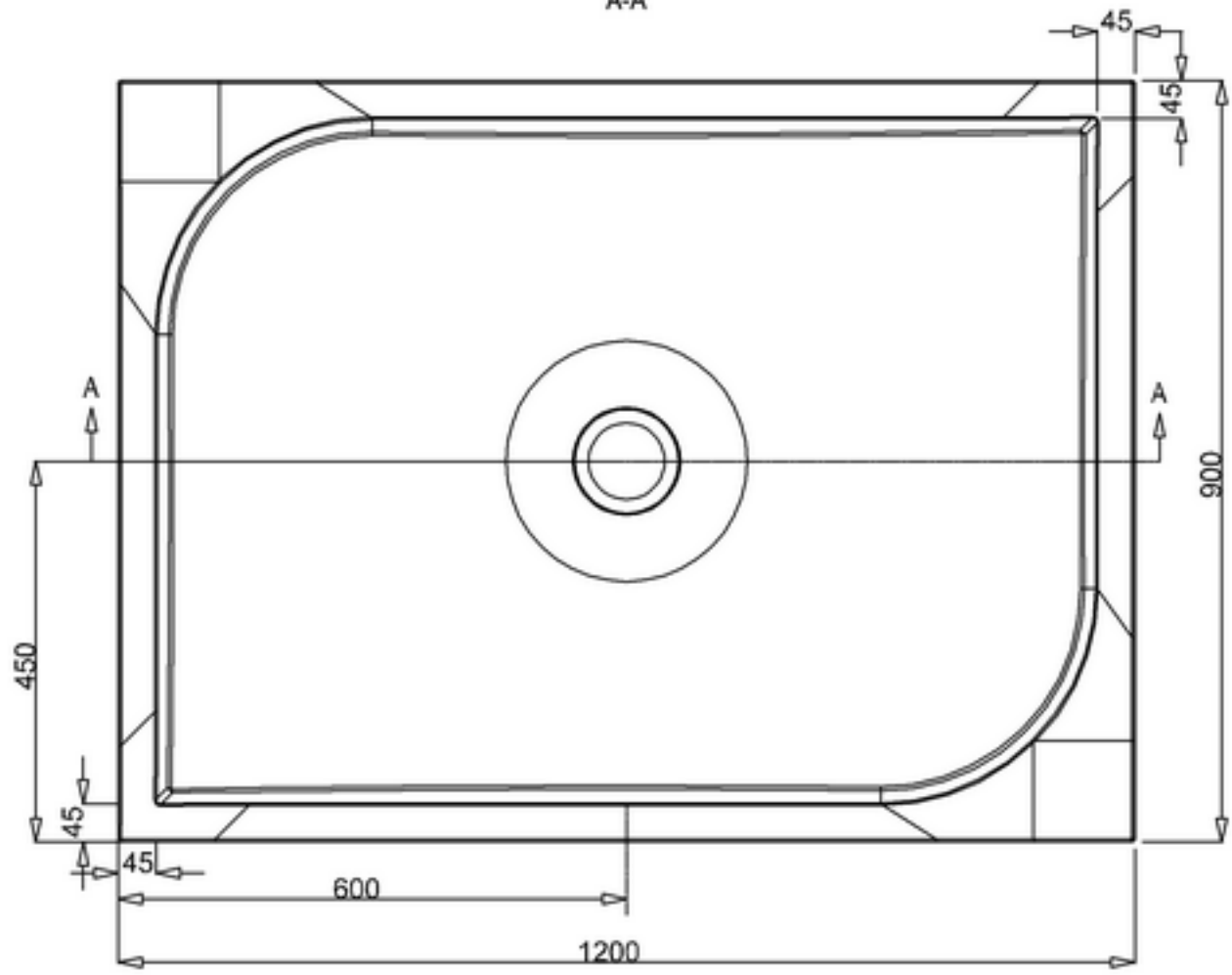
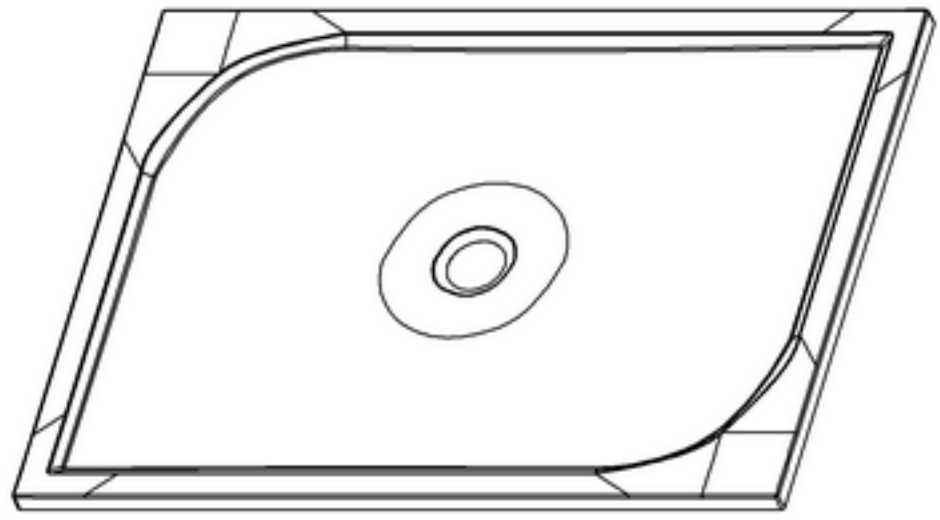


A-A



C  
SCALE 1:2



PERSPECTIVE  
SCALE 1:10