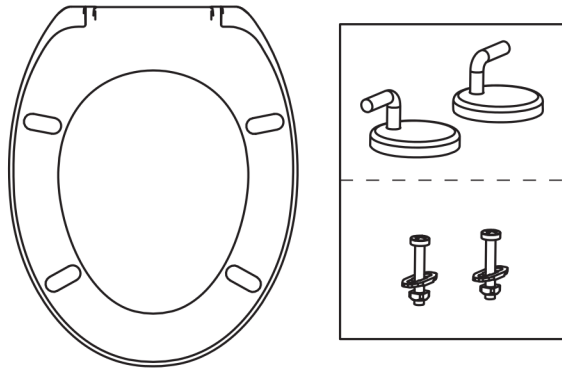
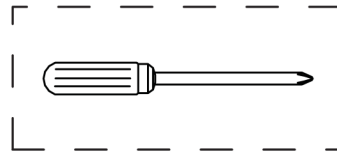


INSTALLATION INSTRUCTIONS FOR MYTIME WC SEAT - 41900090170

Parts Supplied:

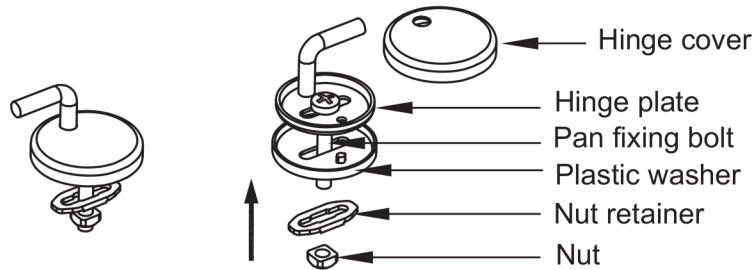


Tool Required:

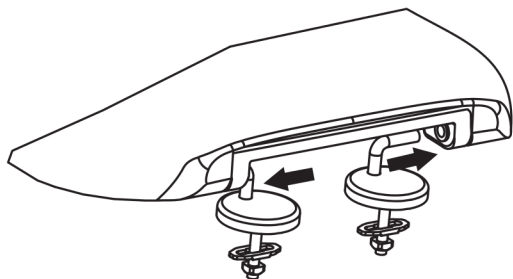


Installation:

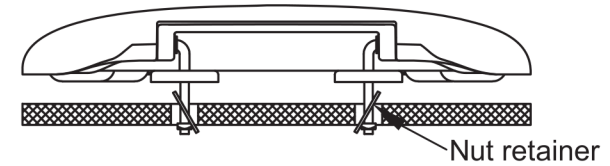
1. Assemble the pan fixing bolt, nut retainer, and nut to the hinge plate as shown.



2. Insert the assembled hinges into the wc seat as shown below.

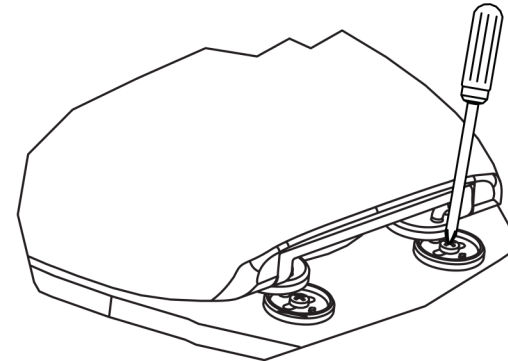


3. Flip the nut retainer into a vertical position and insert through the fixing holes of the ceramic pan.



4. When inserted, gently shake the pan fixing bolt so that the nut retainer turns to a horizontal position. Once the nut retainer is horizontal, lift and move the hinge cover to one side, raise the hinge plate and pan fixing bolt so that the nut retainer is firmly held in position by the underside of the ceramic pan.

Whilst holding the hinge plate and clamping the nut retainer to the pan, tighten the pan fixing bolt using a screw driver as shown below.



5. Adjust the seat to the desired final position, and then further tighten the pan fixing bolt to finally fit the seat in place.

Hinge covers can be placed back over the hinge plates.

