

## Savoy WC Unit Assembly Instructions

Care and Maintenance: Please leave with the householder.

This furniture is made of wood, and has a water resistant finish. It should not be left wet, and the quality of the finish is best maintained if it is wiped with a dry cloth after use. It should only be cleaned using a soft damp cloth followed by a dry cloth. Do not use bleach or any abrasive cleaner.

PARTS SUPPLIED (Top panel supplied separately) :

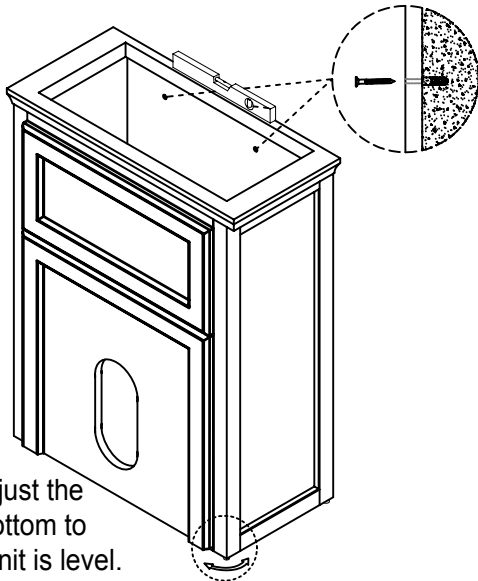


X2



X2

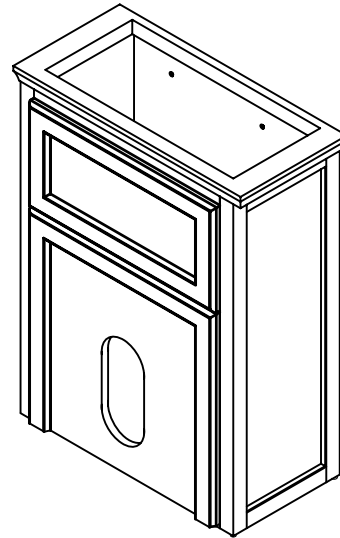
1.



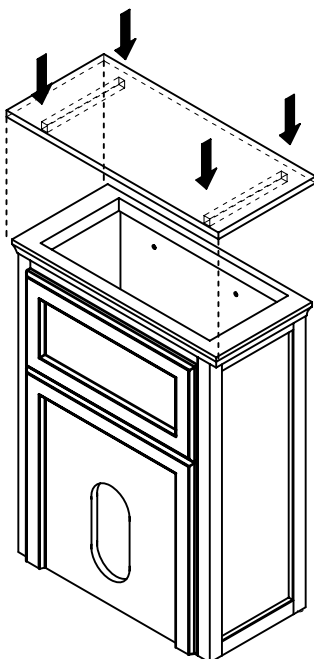
If needed adjust the feet at the bottom to ensure the unit is level.

The wall fixings supplied are for solid masonry walls. Please make sure that the fixings you use are suitable for the wall and that the wall is strong enough to support the furniture.

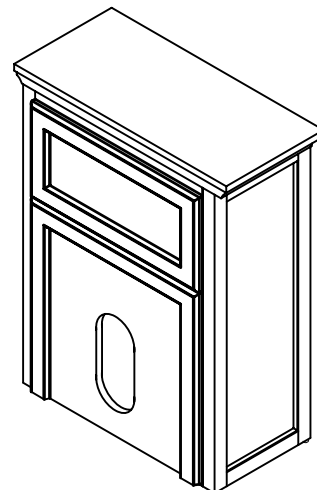
2.



3.



4.



Please see our website [www.bathstore.com](http://www.bathstore.com) for any assistance.