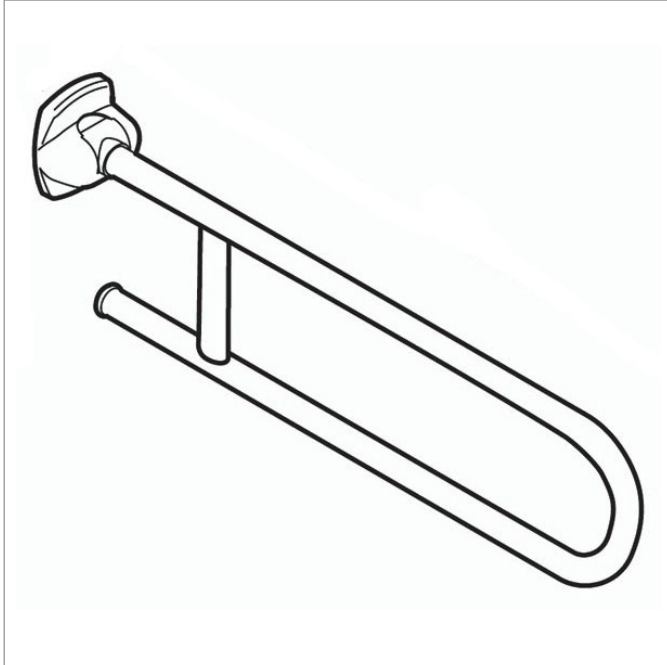


Folding grab rail

41100060949

41100060950

**DIMENSIONS:**

Width: 110 mm

Depth: 650 mm

Height: 210 mm

SAFETY WARNINGS

This product must be fitted by a competent installer. Before installing check the construction of the wall to ensure that it is strong enough to take the load and that appropriate fixings are used. The wall should be flat and the face of the product adjacent to the wall up should not cover joints between tiles.

CLEANING

Use a damp cloth dipped in neutral liquid soap and/or other sanitizer.
Only use mild cleaning detergents and let dry naturally or with a soft cloth.

DISPOSAL

Please dispose in a responsible manner, all components are recyclable and/or reusable. The product is manufactured with elements of recycled materials.

