

AQUALISA Q™

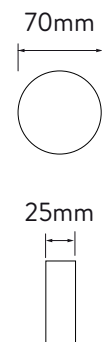
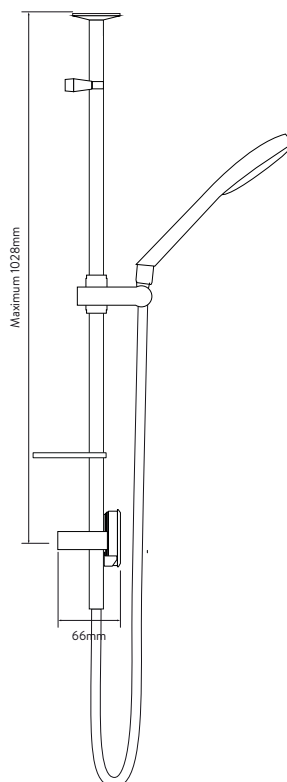
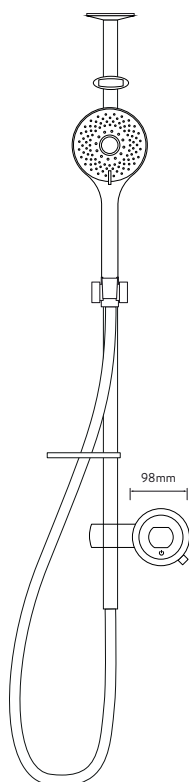
41510004285 QTE.02.BT.HP

SMART MIXER SHOWER EXPOSED WITH ADJUSTABLE HEAD AND BATH FILLER - HP/COMBI

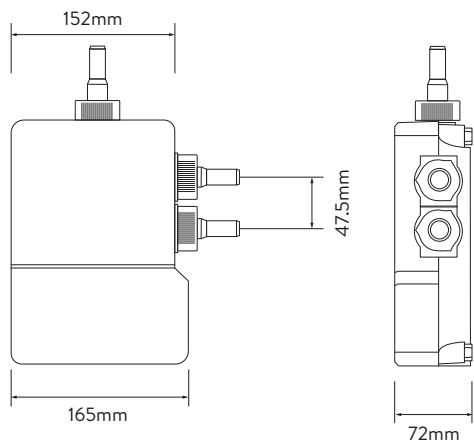
SHOWER SYSTEM



ADJUSTABLE HEAD AND EXPOSED RAIL



QUARTZ™ SMART VALVE - HP/COMBI



SMART DIVERTER

