

INSTALLATION INSTRUCTIONS

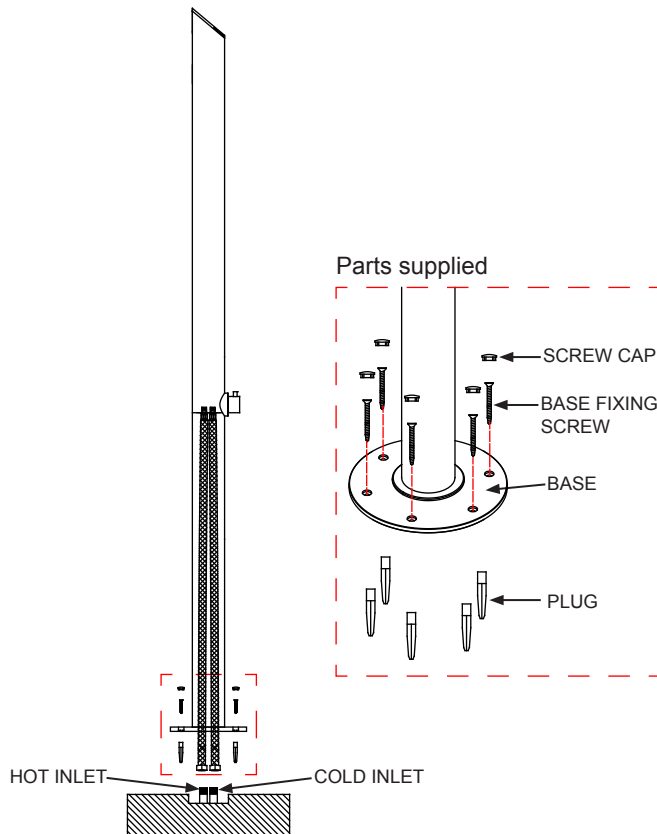
Totem shower column inline shower head 41510004310

Important

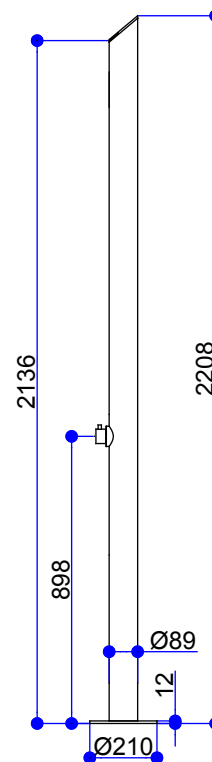
We recommend that this product is installed by a qualified professional contractor, such as a plumber who is certified to NVQ (National Vocational Qualification) or SNVQ (Scottish National Vocational Qualification) Level 3.

- Check the product and report any damage to bathstore within 7 days of receipt.
- Make sure that you have the correct product and that all parts are present.
- Read the instructions and keep them for future reference.
- Since the water flow is not thermostatically controlled we recommend using a pressure equalising valve to reduce the effect of water use elsewhere in the system.

Installation



Dimensions



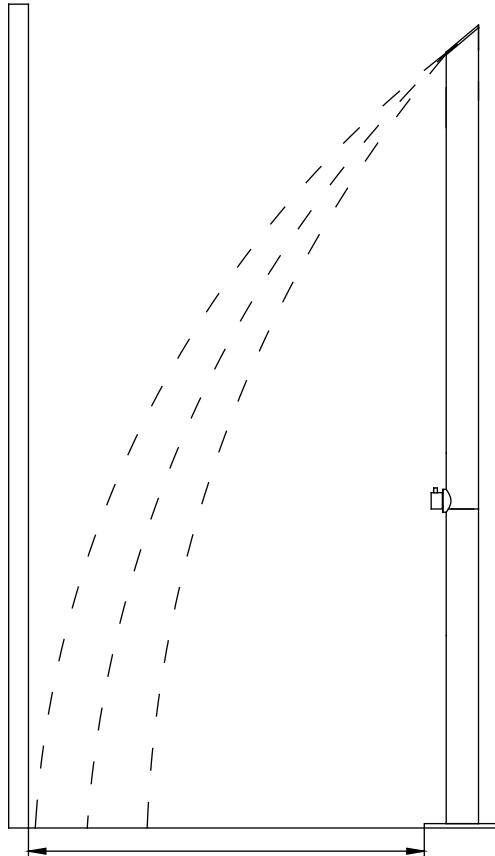
- Before installation, flush the water system to ensure that there are no metal swarf, solder, and other impurities which can enter the product.
- Turn off the water supply before commencing work. This should be done at the isolating valves on the inlet feeds and at the main stopcock.
- Install two water inlet pipes at floor level. From the front view, hot water should be on the left, and cold water on the right. It is important that there is sufficient flex and vertical movement in the water inlet pipes to allow the flexible hoses to be connected and the stand pipes to be screwed to the floor.
- Tighten and fix the two connectors on the water inlet pipes.
- Centre the stand pipe tubes over the inlet pipes. Mark the positions for the floor fixing holes using the floor cover plate as the template. Drill the holes and insert the floor plugs (if necessary).
- Turn the water supply on and test for leaks.
- Fix the to the floor using appropriate screws / bolts for the floor surface. The installer should determine and use the correct screws/ bolts for the particular floor surface onto which the product in being installed.
- Fit the cover caps over the screw heads.

Flow Rate

The recommended minimum pressure is 2 bar dynamic pressure.

The below flow rate data is for reference only. The actual data might vary depending on the installation situation.

Flow	(2 BAR) L/M	(3 BAR) L/M	(4 BAR) L/M	(5 BAR) L/M
SHOWER HEAD	8.3	12.1	15.1	17.7



The shower directs water across the showering area. This diagram illustrates the space needed for it to deliver optimum performance.

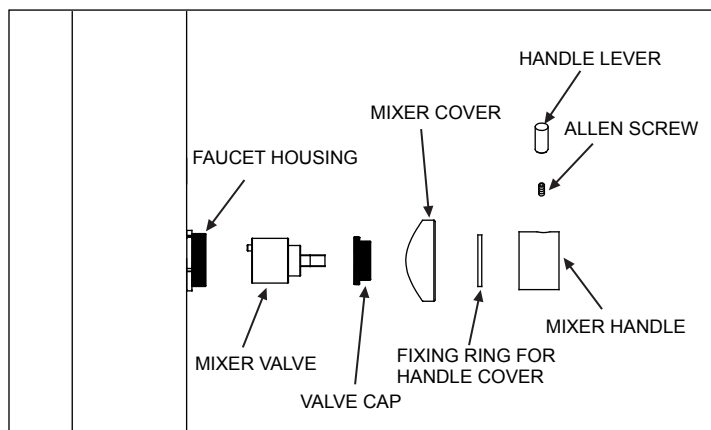
70 cm with 2 bar of pressure
 100 cm with 3 bar of pressure
 120 cm with 5 bar of pressure

Maintenance

We do NOT recommend the use of any household cleaners on this product. Household cleaners often contain chemicals or abrasive materials which may damage (corrode or scratch) the product.

The product should only be cleaned with soapy water and rinsed with clean water and dried with a soft cloth.

Cleaning Cartridge



To remove the cartridge. First shut off the water supply to the tap.

1. Pull out the part.
2. Take out the cartridge and wash it with clean running water.
3. Replace them in turn.