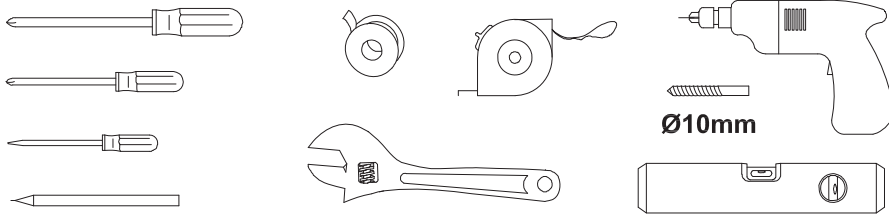
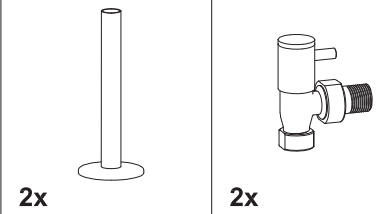
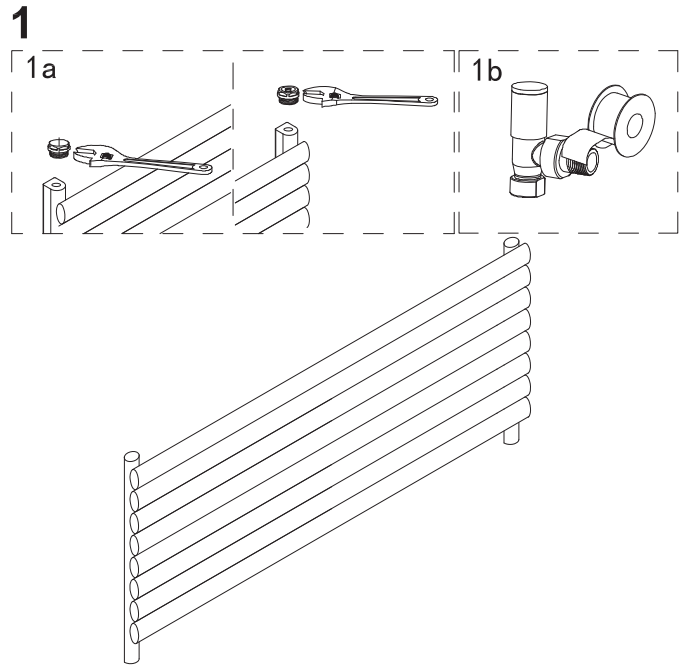
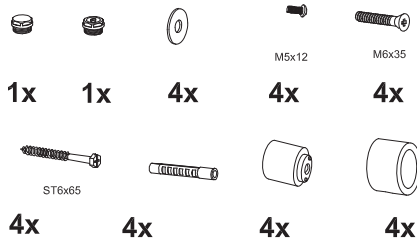
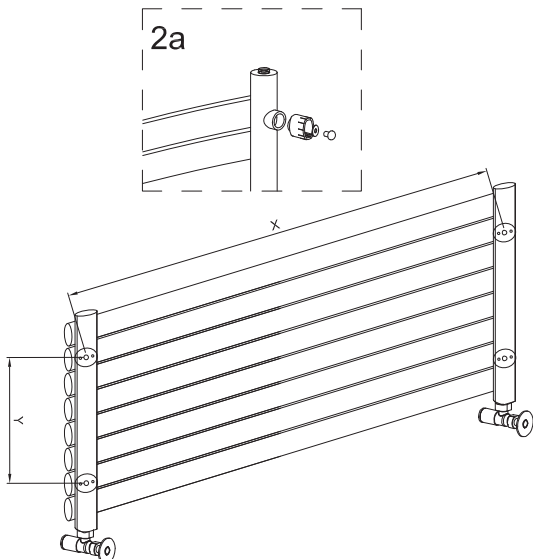
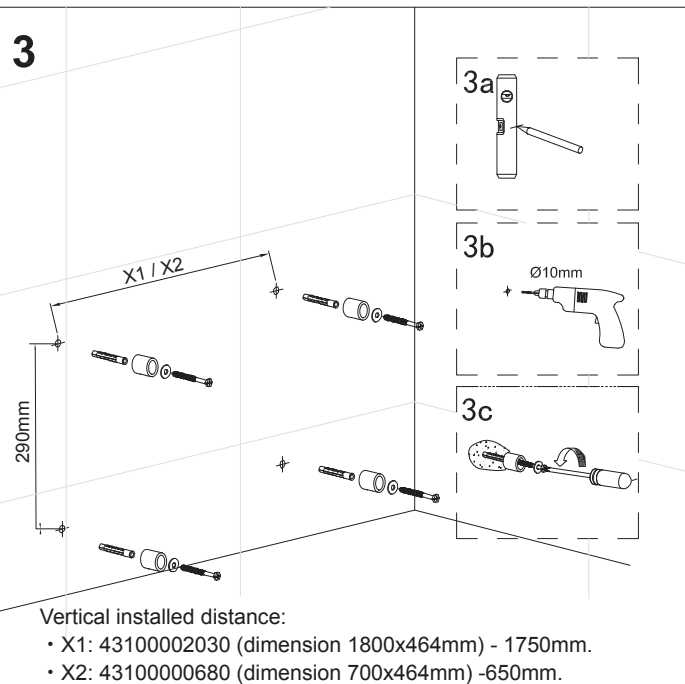


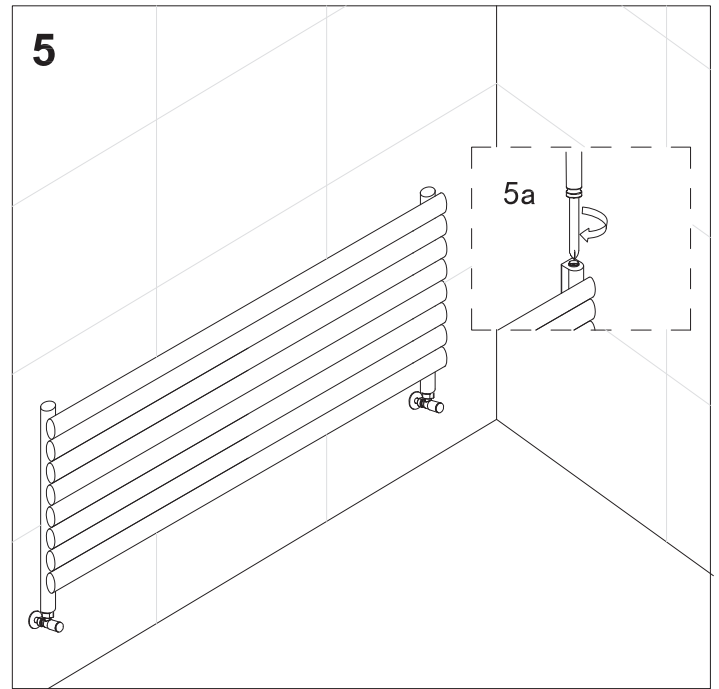
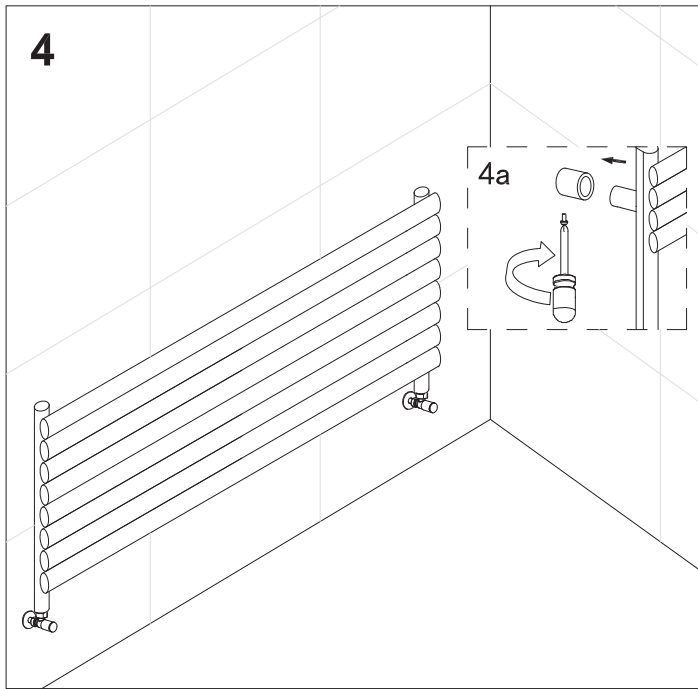
TOOLS REQUIRED:

PARTS REQUIRED:


Horizon Horizontal Designer Radiator Installation Instructions

Product code: 43100002030, 4310000680

- Review instructions carefully before installation
- Installation should be completed by a suitably qualified person
- please dispose of packaging in a responsible manner


2

3




After installation ...

- Use a screwdriver to open the air vent, open the inlet valve and let the water rush into the radiator. Check all connections for leaks.
- Once water overflows from the air vent, there is no air in the tube.
- Use a screwdriver to close the air vent. Turn on the outlet valve and the radiator is ready for use.
- This product should only be used with a maximum pressure of $P_N \leq 1 \text{ MPa}$ (10Kg/cm², 10Bar).
Only for use with water. Maximum temperature $t \leq 100^\circ \text{ C}$ (212° F).

Maintenance...

- The outside of the towel warmer can be cleaned using warm soapy water.
Do not use scouring powders or acid based products as these could damage the finish.
- It is recommend that the unit should be drained if it not in use and ambient temperatures are below 0° C (32° F) to prevent damage from the water freezing. Before reusing flush system with a rust inhibitor to remove any oxidization.
- If the water temperature in the system exceeds 50° C (122° F), please install a warning mark near the radiator to avoid being scalded.
- If the product is not used for a prolonged period (for example spring, summer), ensure the radiator is kept filled with water containing a rust inhibitor to prevent oxidization on the inside of the unit.

Please see our website www.bathstore.com for any assistance.