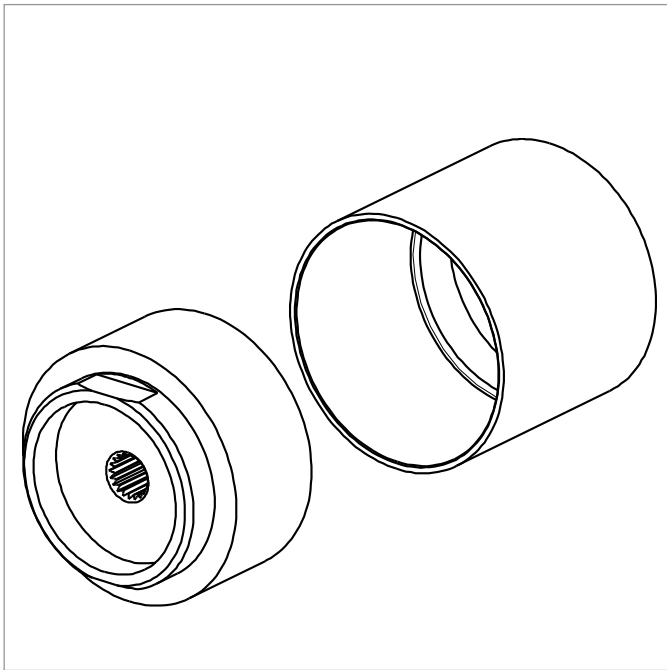


Transition control shower valve

44400023722

44400023724

44400023726



DIMENSIONS:

Width: 450mm

Depth: 450mm

Height: 40.5mm

IMPORTANT:

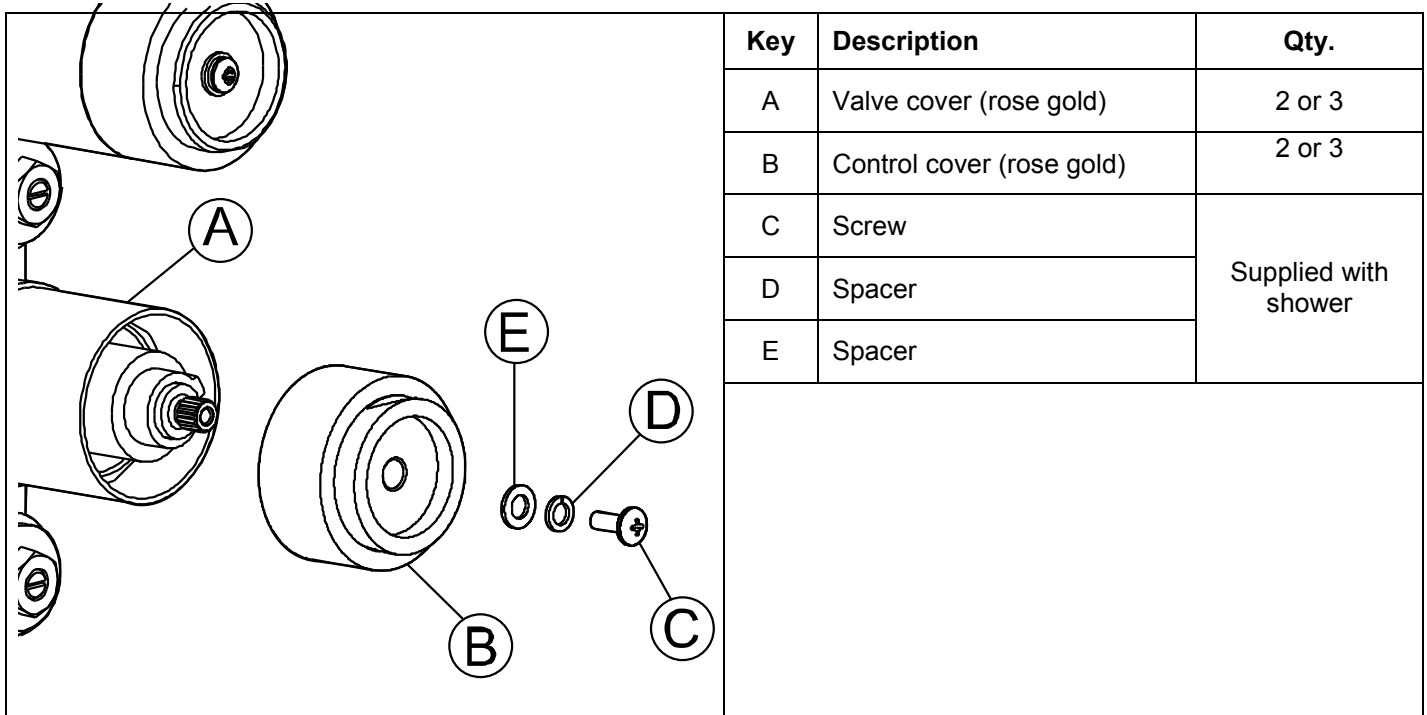
All parts should be removed from their packaging and inspected for any transport damage and completeness prior to installation; you should read these instructions throughout before commencing installation.

We do not accept responsibility for problems that may occur through improper installation.

CARE AND MAINTENANCE:

To maintain the appearance of this product, ensure that it is regularly cleaned only using a clean, soft damp cloth. A solution of warm water and a mild liquid detergent may be used where necessary, and then the fitting rinsed thoroughly and wiped dry. Any other cleaning action or cleaning products will invalidate your warranty.

Abrasive cleaners, scouring cleaners, limescale cleaners and acidic cleaners must not be used under any circumstances. Avoid contact with all solvents (including chlorinated solvents, ketones or acetones as these may result in surface deterioration or etching). Also avoid contact with any harsh household chemicals such as bleach cleaners, drain cleaners, rust removers, paint strippers and toilet bowl cleaners, toothpaste, mouthwash, bar keepers friend or Brasso.



1. Remove the existing chrome control cover (B) by unscrewing screw (C) using a screwdriver.
2. Unscrew existing chrome valve (A) cover by hand.
3. Replace the existing chrome valve cover (A) with the rose gold valve cover (A).
4. Push the rose gold control cover (B) onto the splines and tighten the screw (C) making sure spacers (D & E) are in place and in the same order as removed.