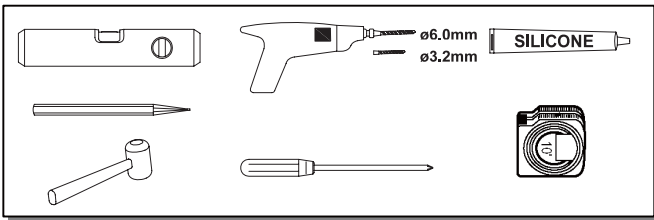
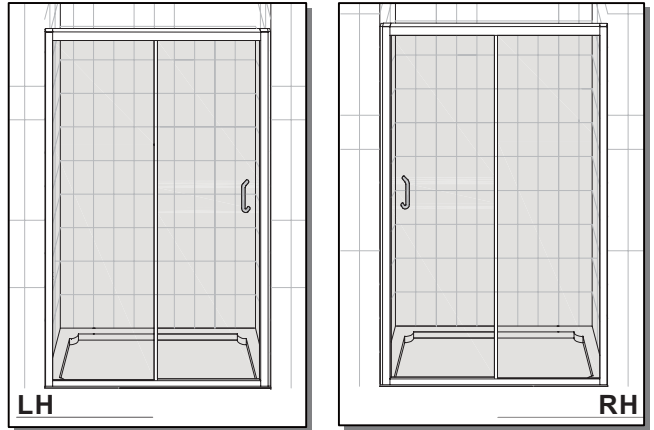
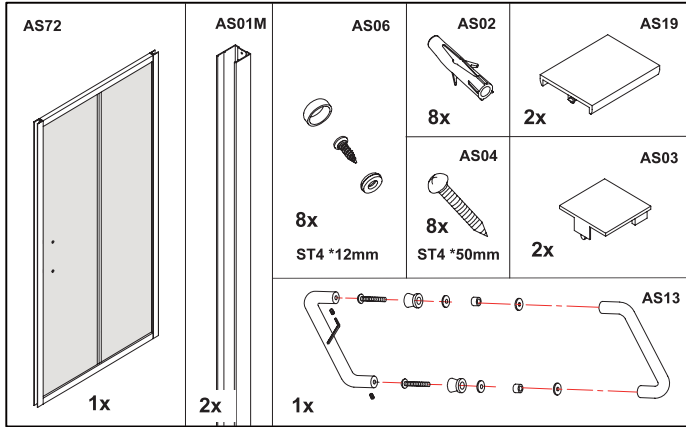
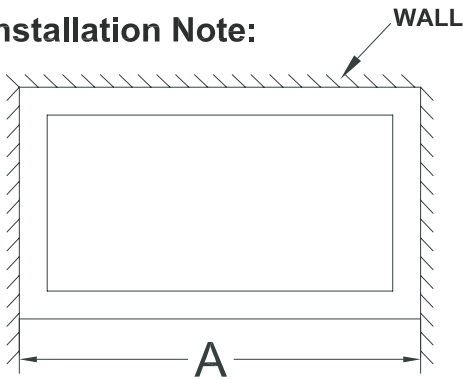


ATLAS INFOLD DOOR CLEAN PLUS

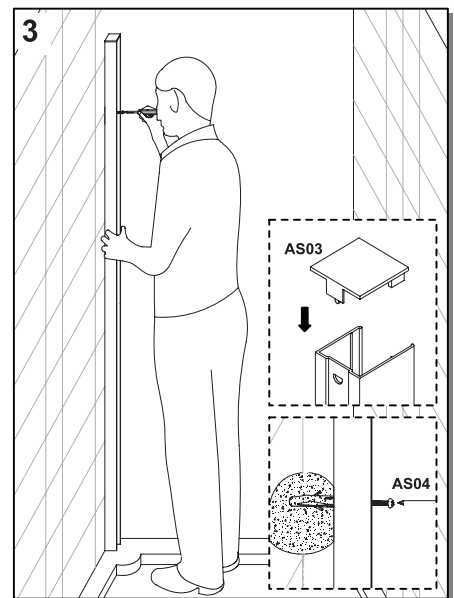
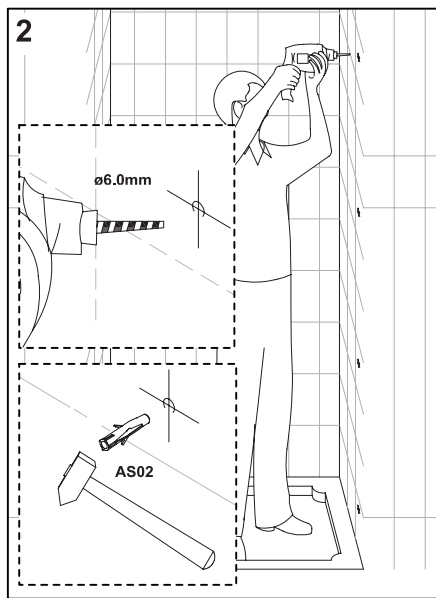
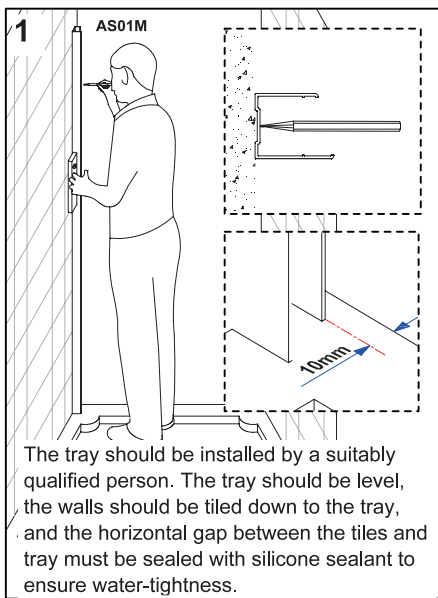


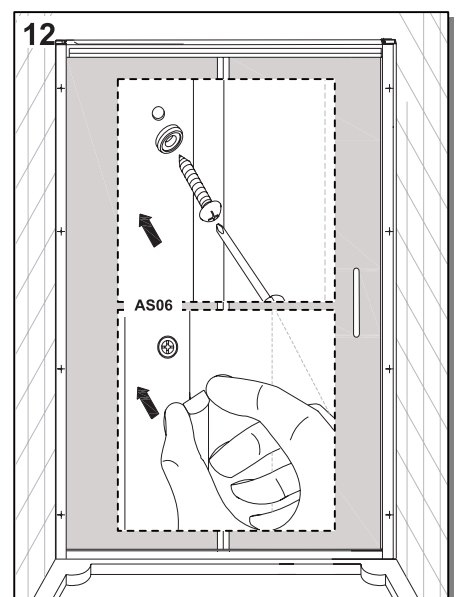
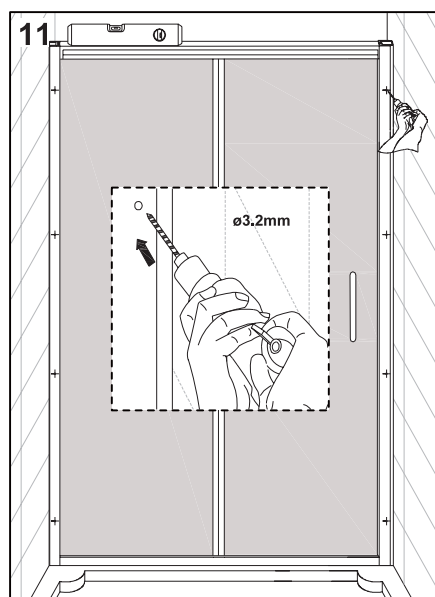
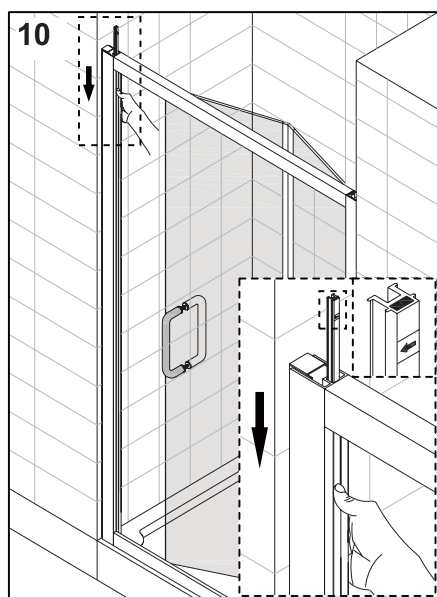
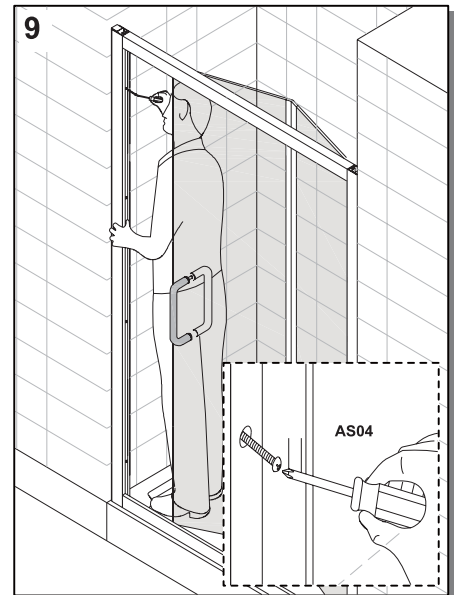
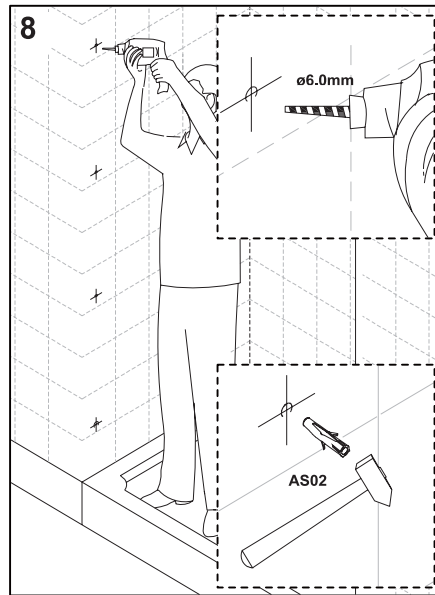
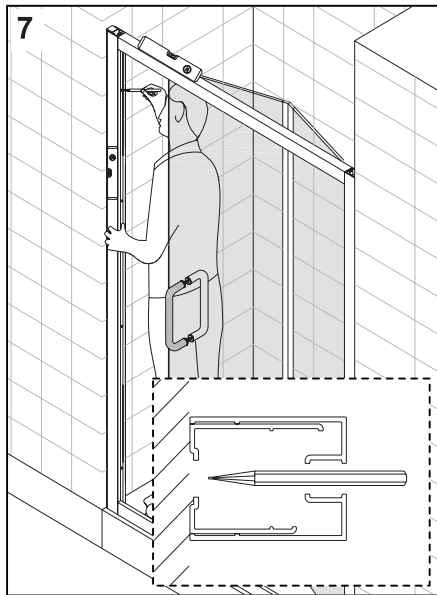
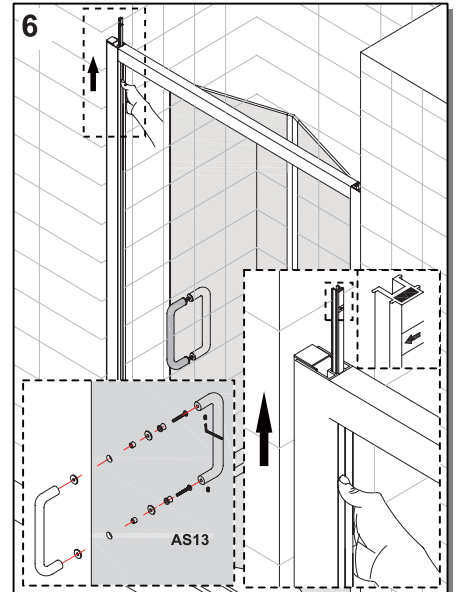
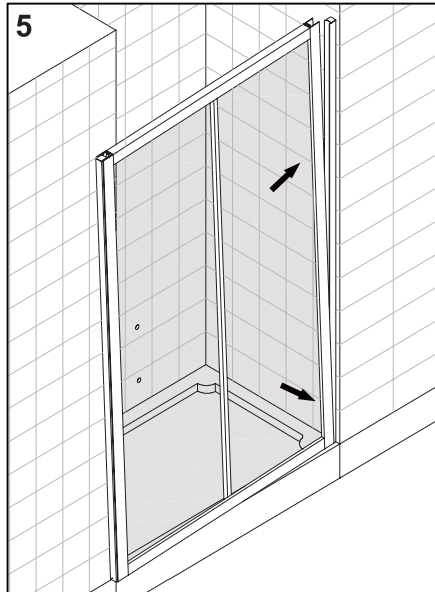
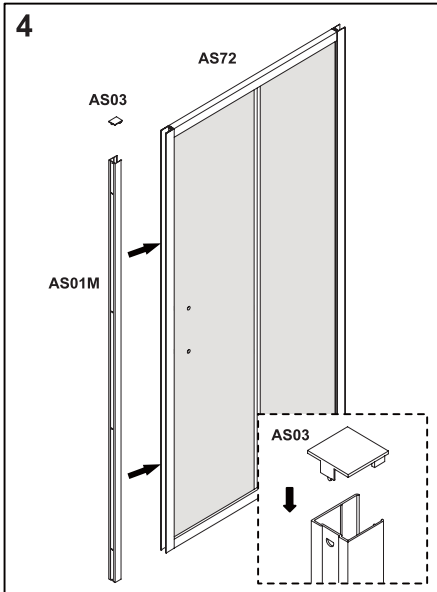
Installation Note:

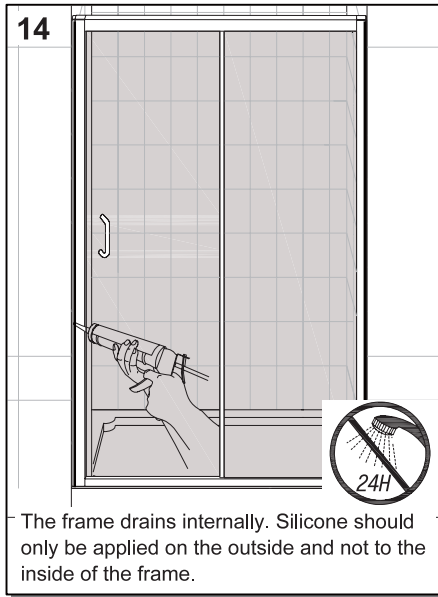
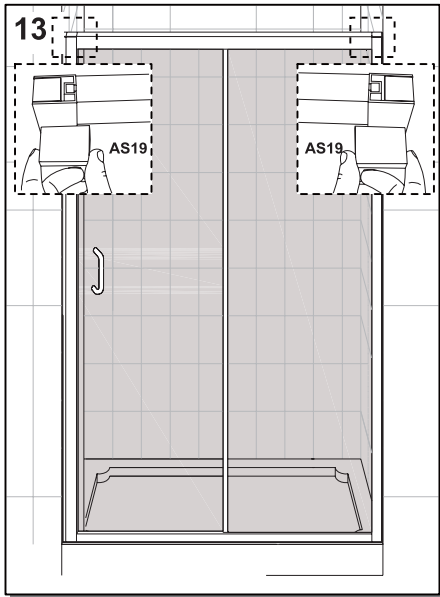


ADJUSTMENT RANGE	
PRODUCT	A (mm)
760 Infold Door	700~750
800 Infold Door	740~790
900 Infold Door	850~900
1000 Infold Door	950~1000

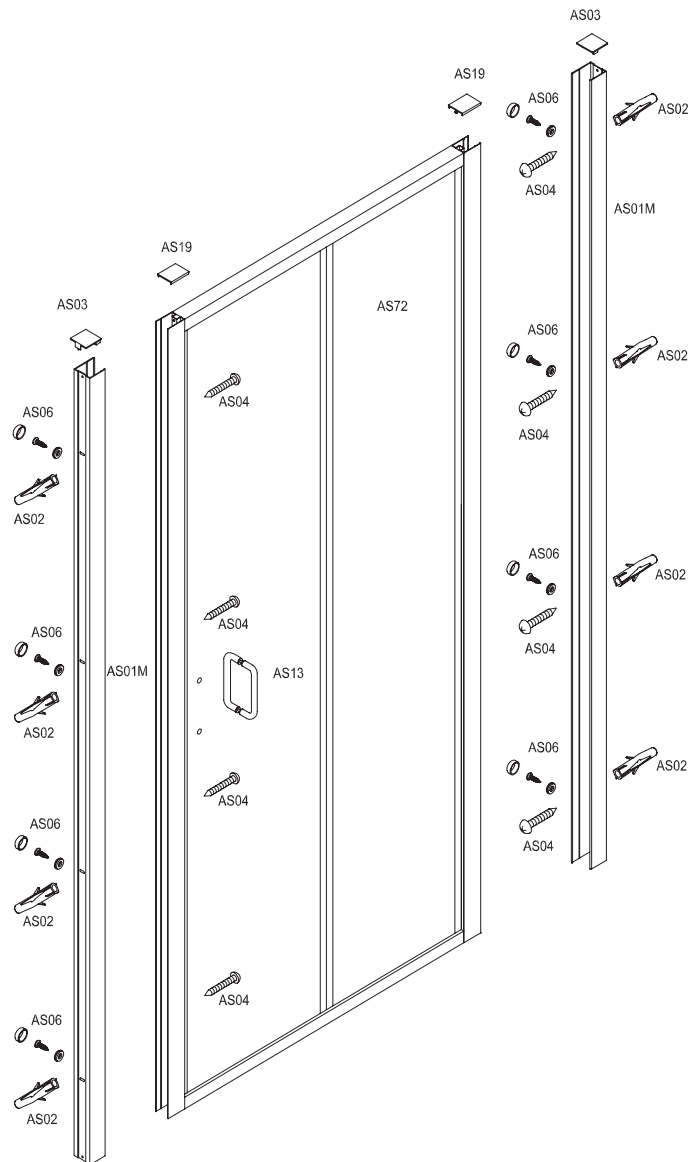
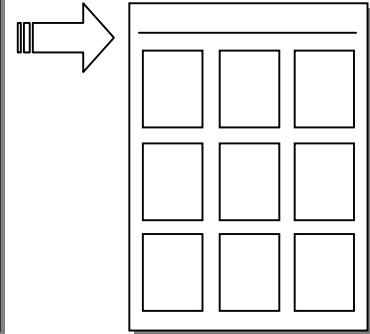
Please measure the distance between two walls before installation. Ensure the distance is within the adjustment range of product, as is listed left.







INFOLD DOOR
+
SIDE PANEL



MAINTENANCE FOR EASY CLEAN GLASS

This side with the label "EASY CLEAN THIS SIDE" is coated.
Only use a mild detergents and soft clothes on the Clean Plus surface.
Strong chemicals and abrasive cleaners can cause damage to the coating.

Please see our website www.bathstore.com for any assistance.