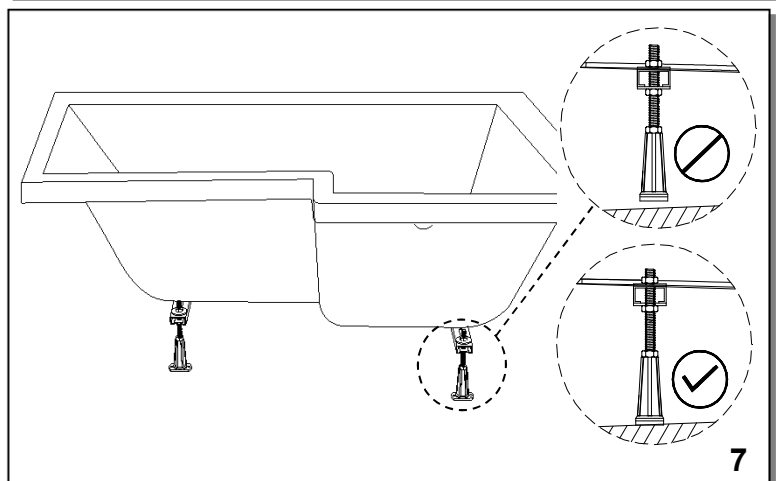
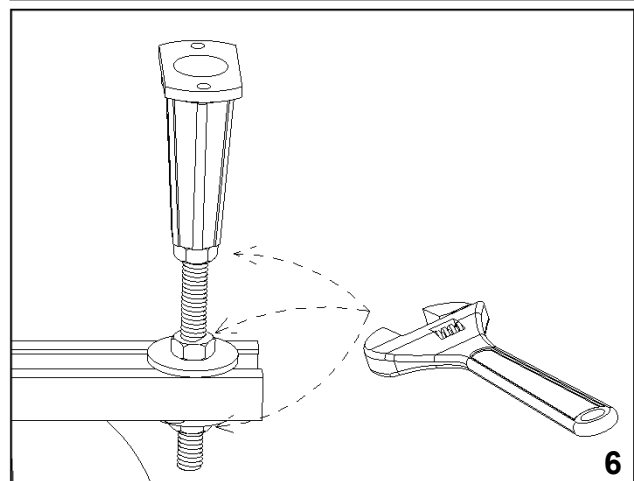
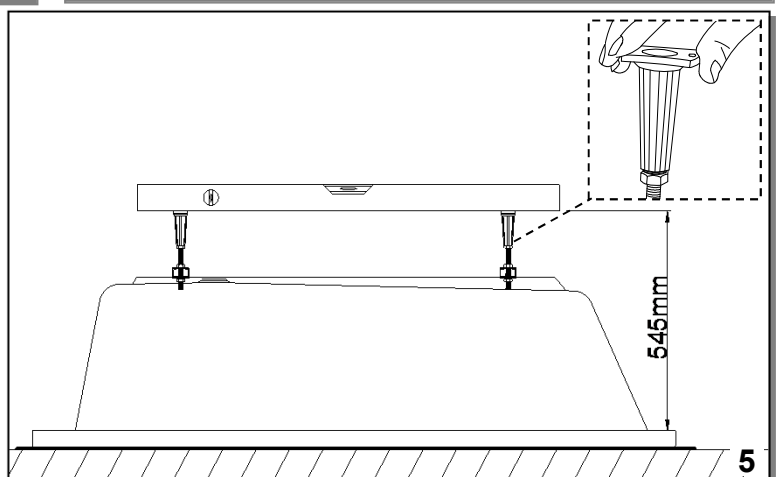
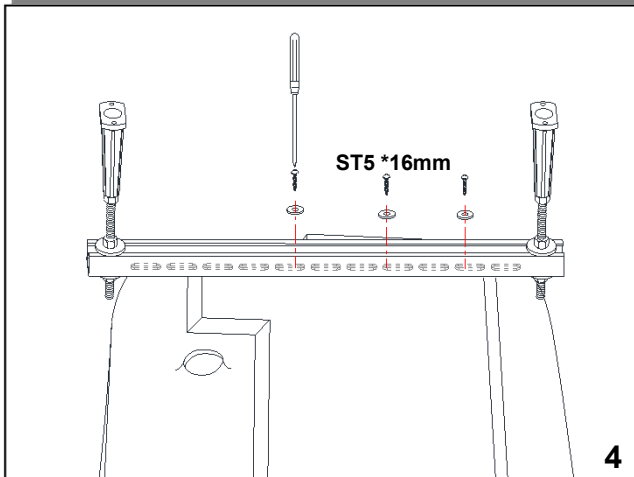
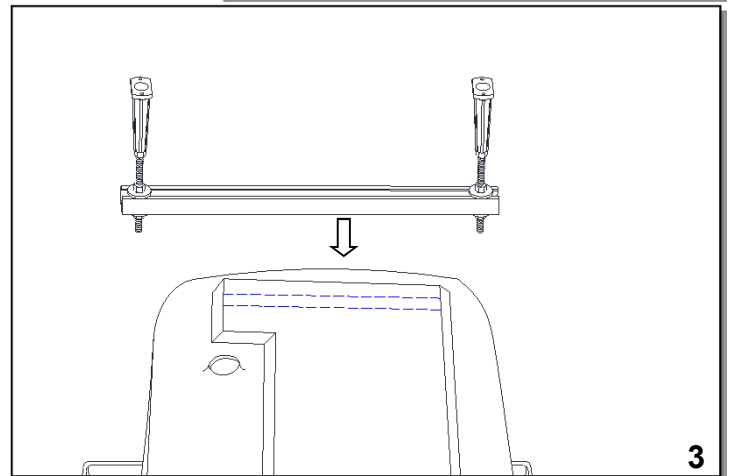
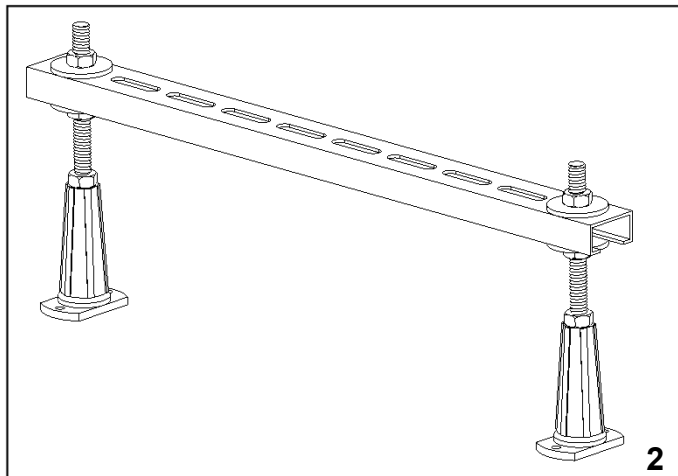
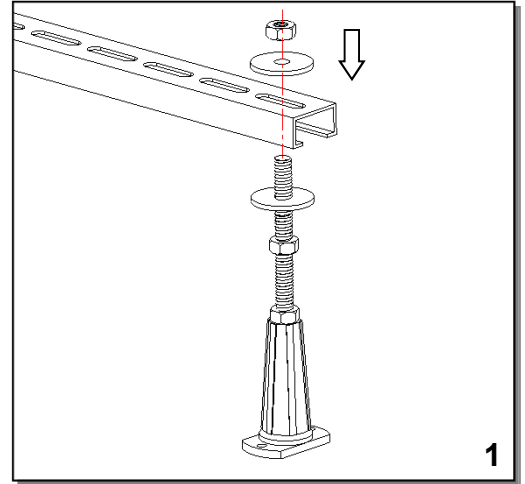
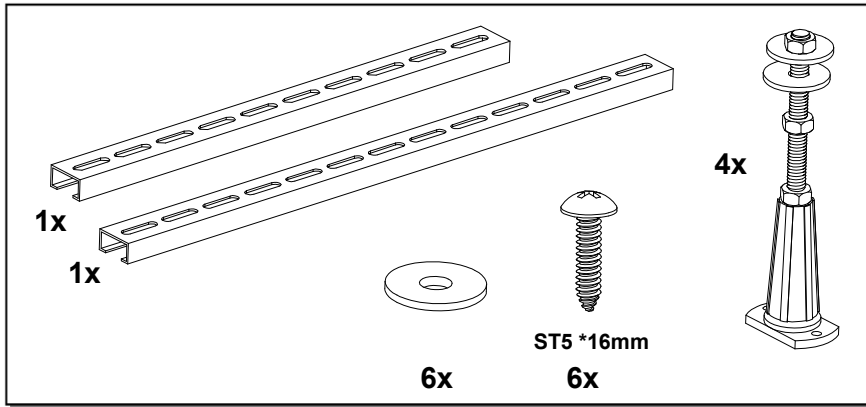
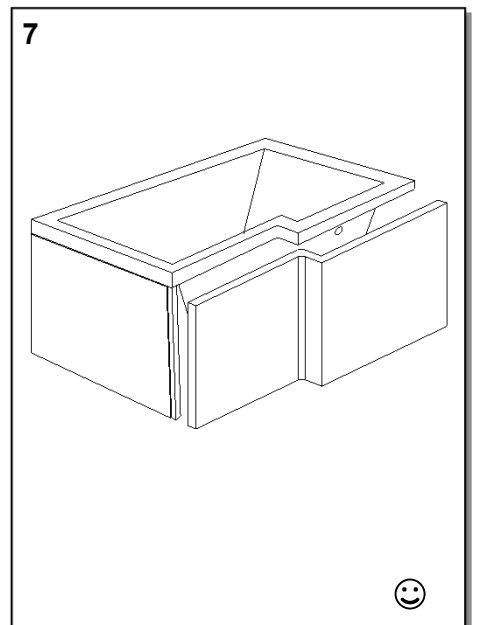
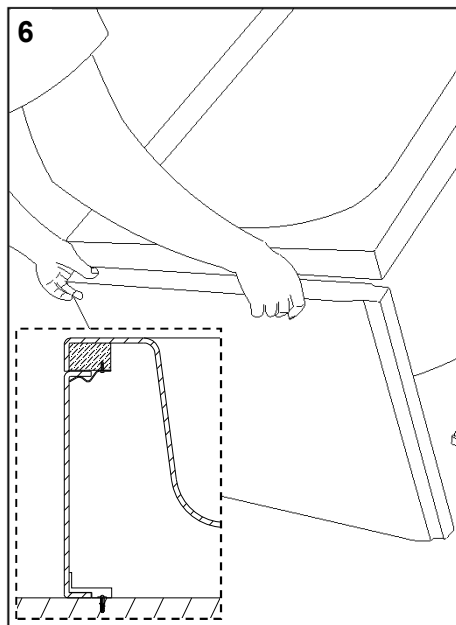
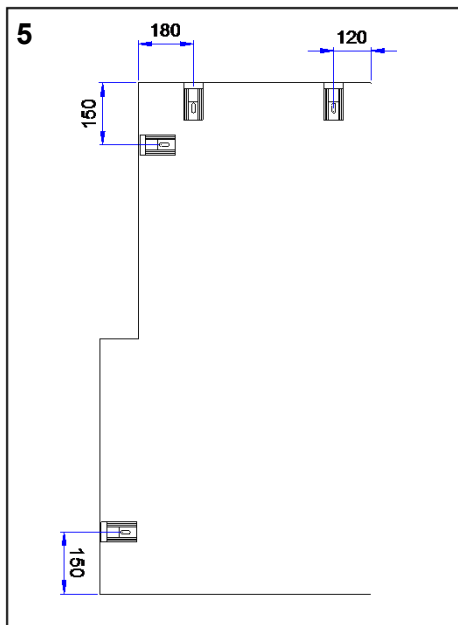
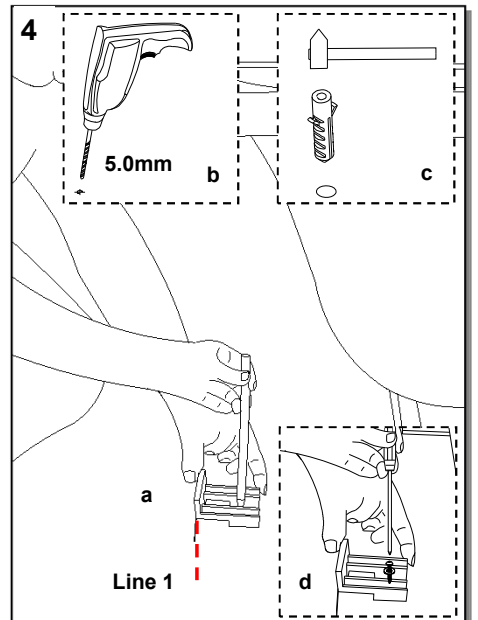
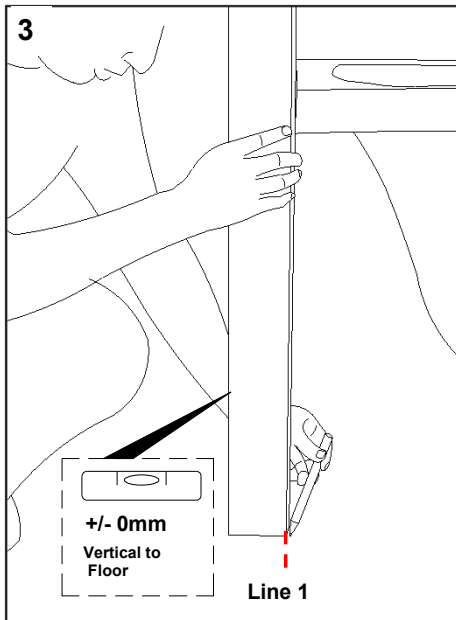
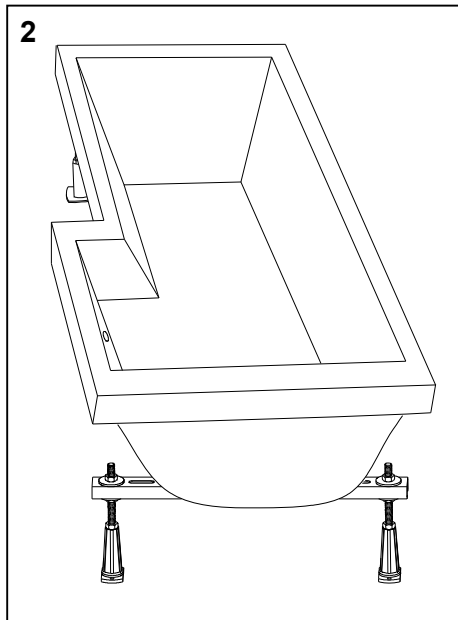
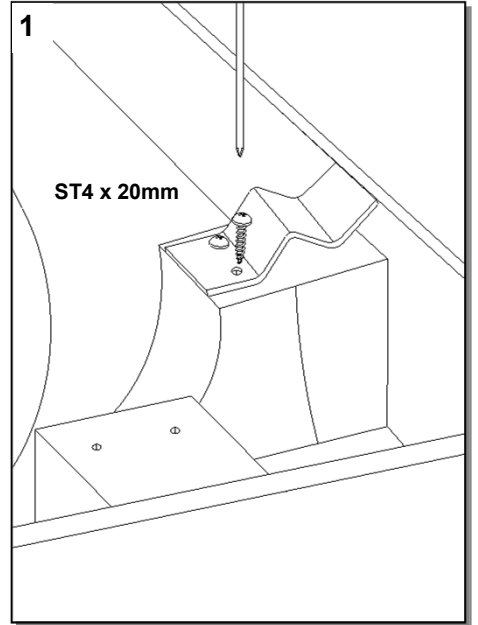
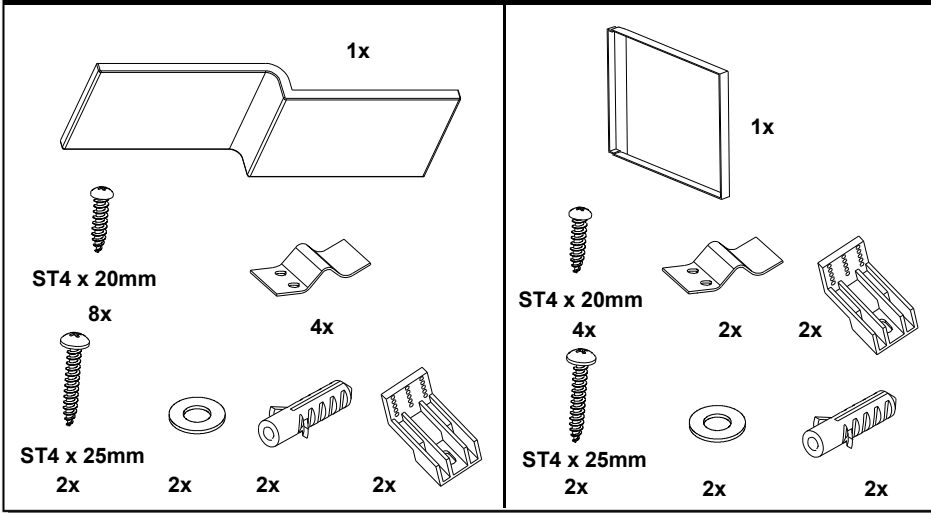
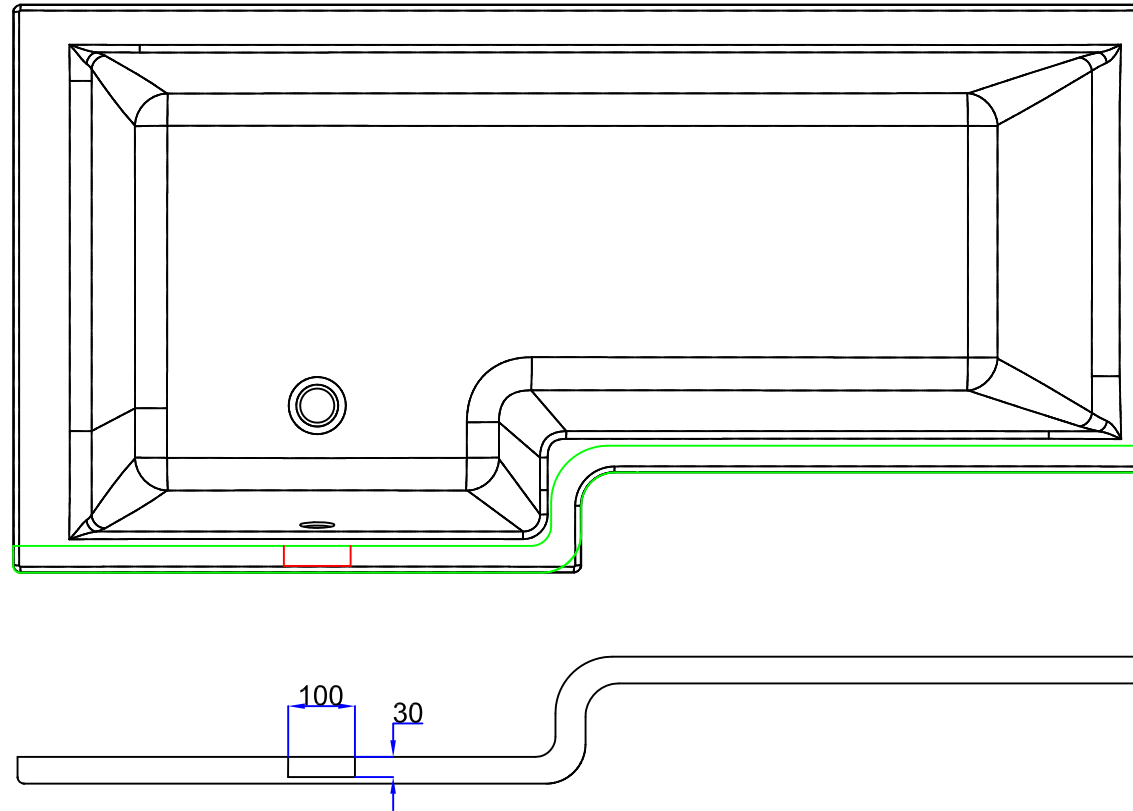


## SHOWERCUBE SHOWERING BATH LEG SET



## SHOWERCUBE SHOWERING BATH PANELS





**Deck mounted taps, overflow mounted bath fillers and certain pop up bath wastes may cause the edge of the panel to snag on the ShowerCube bath panel when fitted flush to the bath edge. In this case we recommend a small notch ( no deeper than 30mm ) be cut out of the top ledge of the bath panel in the appropriate position. This will allow the bath panel to clip into position without snagging on the taps or waste. Please see the diagram above as an example for an appropriate cut out for an overflow mounted bath filling waste.**