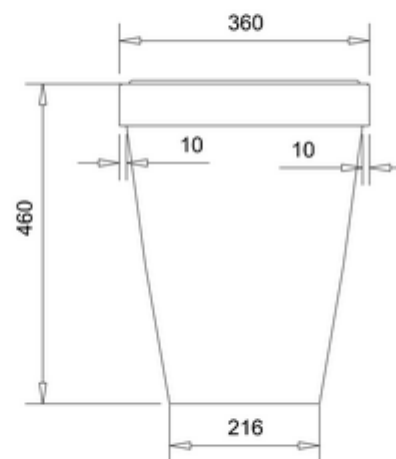
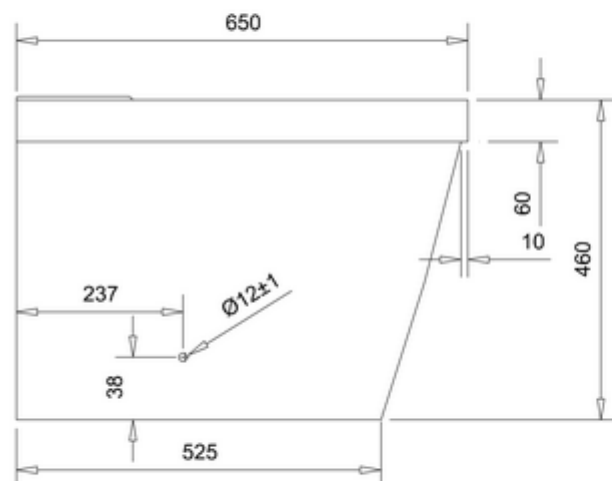
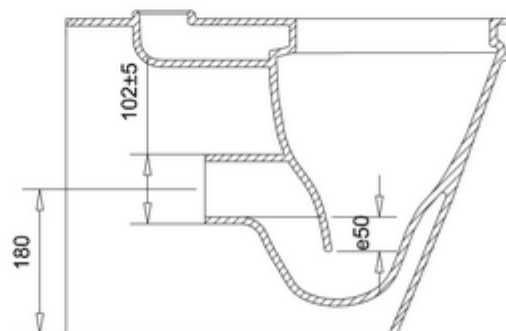
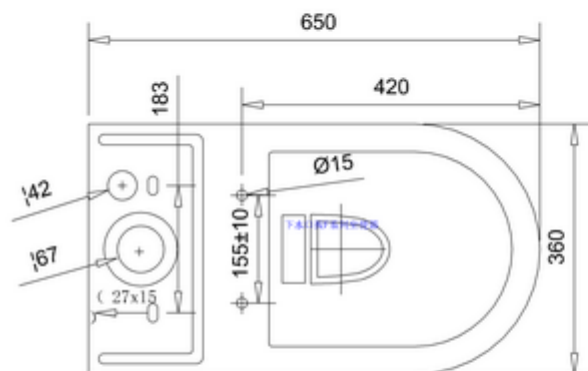


20050030034 - EURO COMFORT CLOSE COUPLED PAN



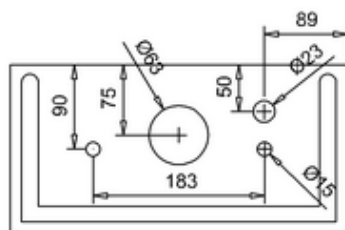
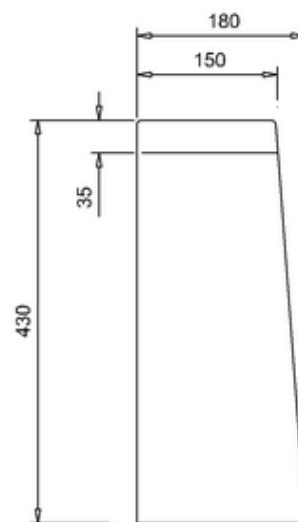
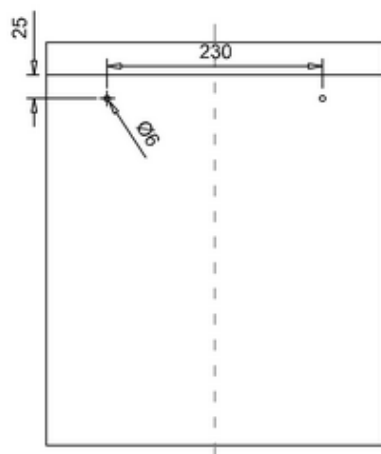
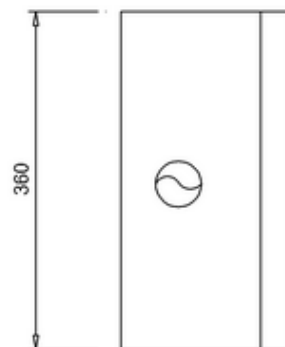
Remark:

- 1: Flatness of installation surface: 0~2mm
- 2: Flatness of whole surface: 0~5mm
- 3: Depth of water seal: Min.50mm
- 4: Spigot length: Min.40mm
- 5: Clearance around spigot: Min.150mm
- 6: Depth of inlet hole: Min.25mm
- 7: Height difference between left and right: 0~6mm
- 8: Height difference between front and rear: 0~6mm
- 9: From seat hole to front rim:
For the top control as 2mm;
For the bottom as 6mm

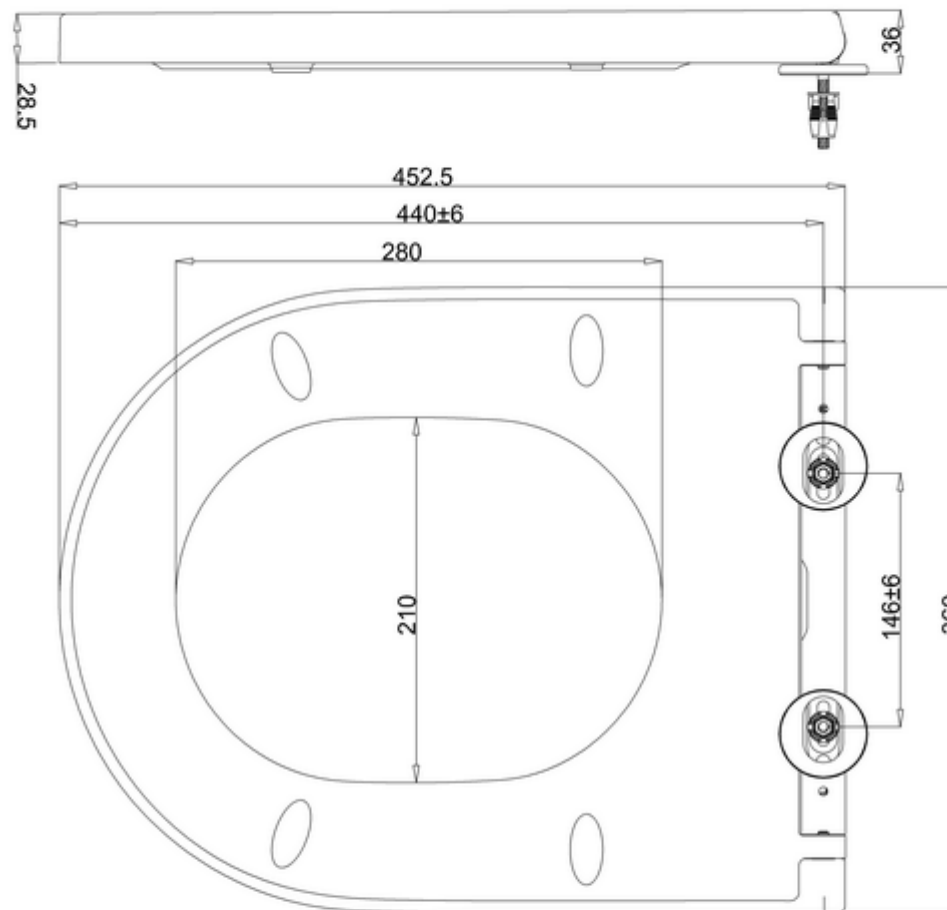
20050030245 - EURO MONO CISTERN WHT WITH LID EXC FITTINGS E30

Remark:

- 1: Flatness of installation surface: 0~2mm
- 2: Flatness of whole surface: 0~5mm
- 3: Flatness of main surface: 0~5mm
- 4: Flatness of side surface: 0~4mm



41200100745 - Euro/transition toilet seat



Whole dimension tolerance is ± 5 .

Dimension tolerance between two hinge holes is ± 5 .