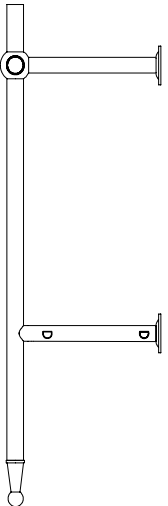
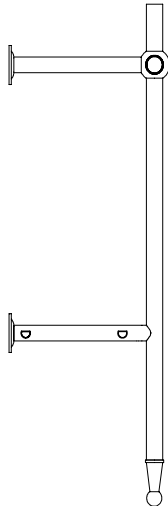
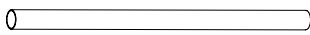


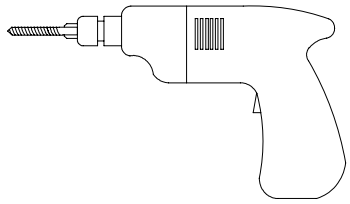
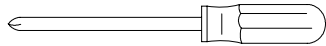

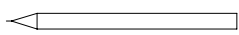


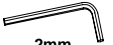
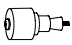

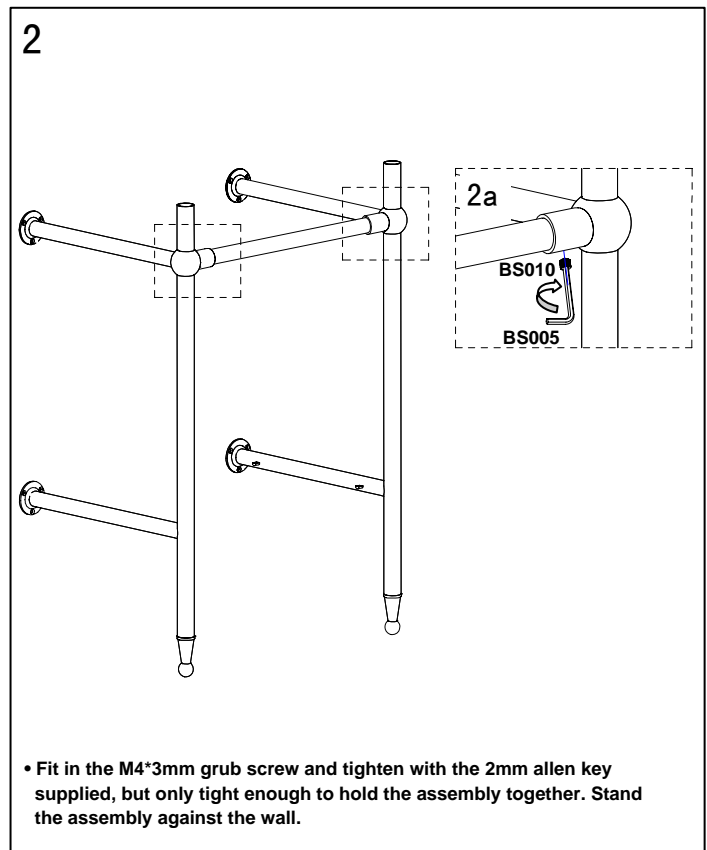
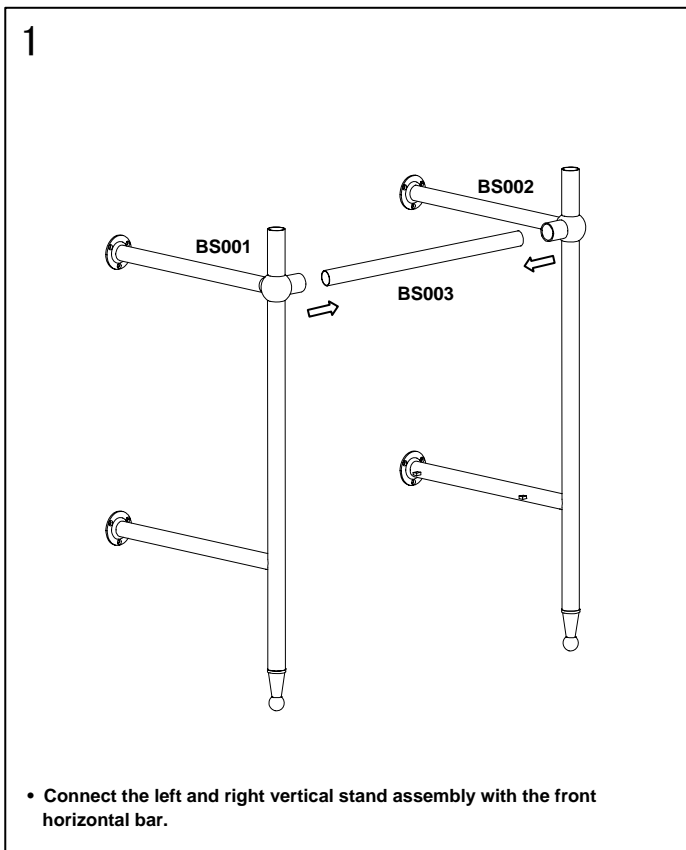


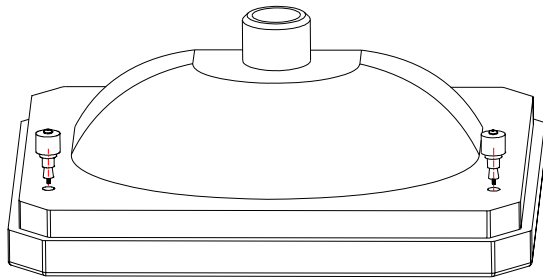
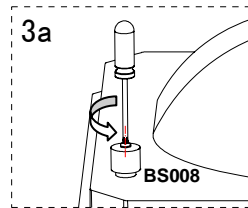
NEW SAVOY 510 BASIN STAND

INSTALLATION INSTRUCTIONS

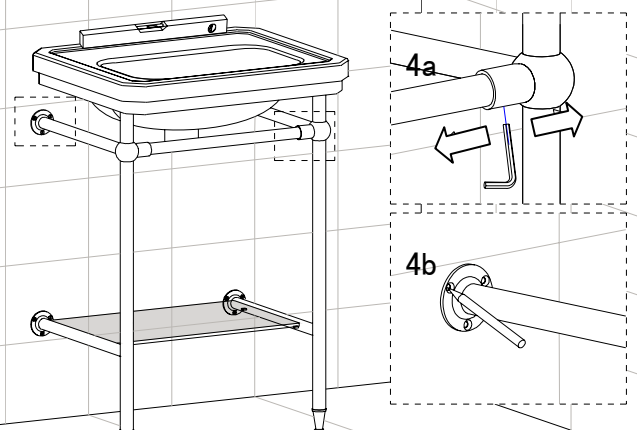
20005000780

Parts Supplied				Tools Required	
BS001  1x	BS002  1x	BS003  1x	BS006  12x	BS007  12x	   
BS004  M4 *6mm 3x	BS010  M4 *3mm 3x	BS005  2mm 1x	BS008  2x		
BS009 					

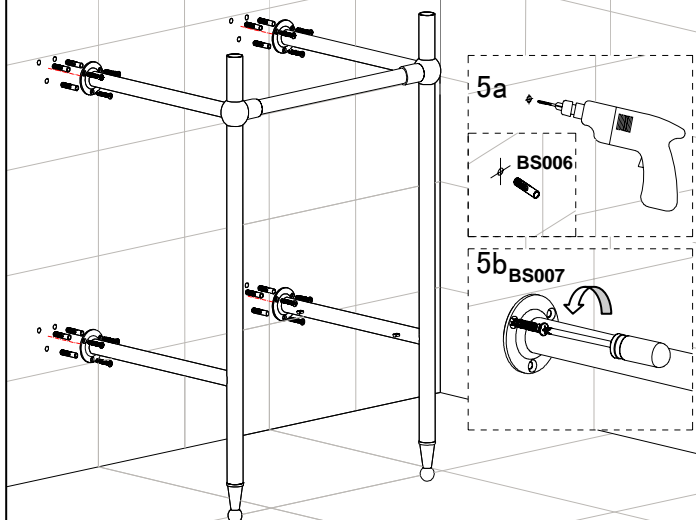
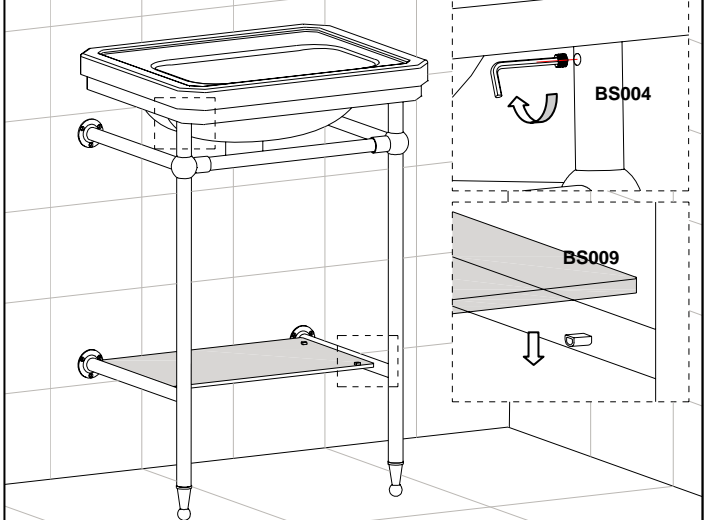


3


• Fix the expansion nut into the basin.

4


• Put the basin & glass shelf onto the stand assembly. Adjust the left to right distance if required to ensure the glass shelf lands on the shelf support stud and the nuts on basin mate with the stand assembly; and the front and back distance to ensure the four wall feet land on the wall and there is no distance between the wall and the back of the basin. When the above has been done, tighten the grub screws and mark the wall fixing holes through the wall feet.

5

6


• Basin should be installed so that the back is fixed to the wall using appropriate wall screws and the front is fixed to the frame using BS004 .

After installation ...

Product Cleaning

When cleaning glass and steel surfaces use a soft damp cloth with washing up liquid or similar. Do not use cleaning agents or any other substance containing abrasives since these substances will scratch glass and steel. Do not use cleaners containing bleach as this will effect the stainless steel surface.

Warnings

1. Do not place very hot or very cold items against or in close proximity to glass surfaces unless adequately thick insulating material is used to prevent such items from coming into contact with the glass.
2. Do not strike the glass with hard or pointed items.
3. Please ensure the basin and basin stand is securely fixed to the wall using the guidelines already outlined above before it is used for the first time.
4. Installation must only be done by a qualified person.