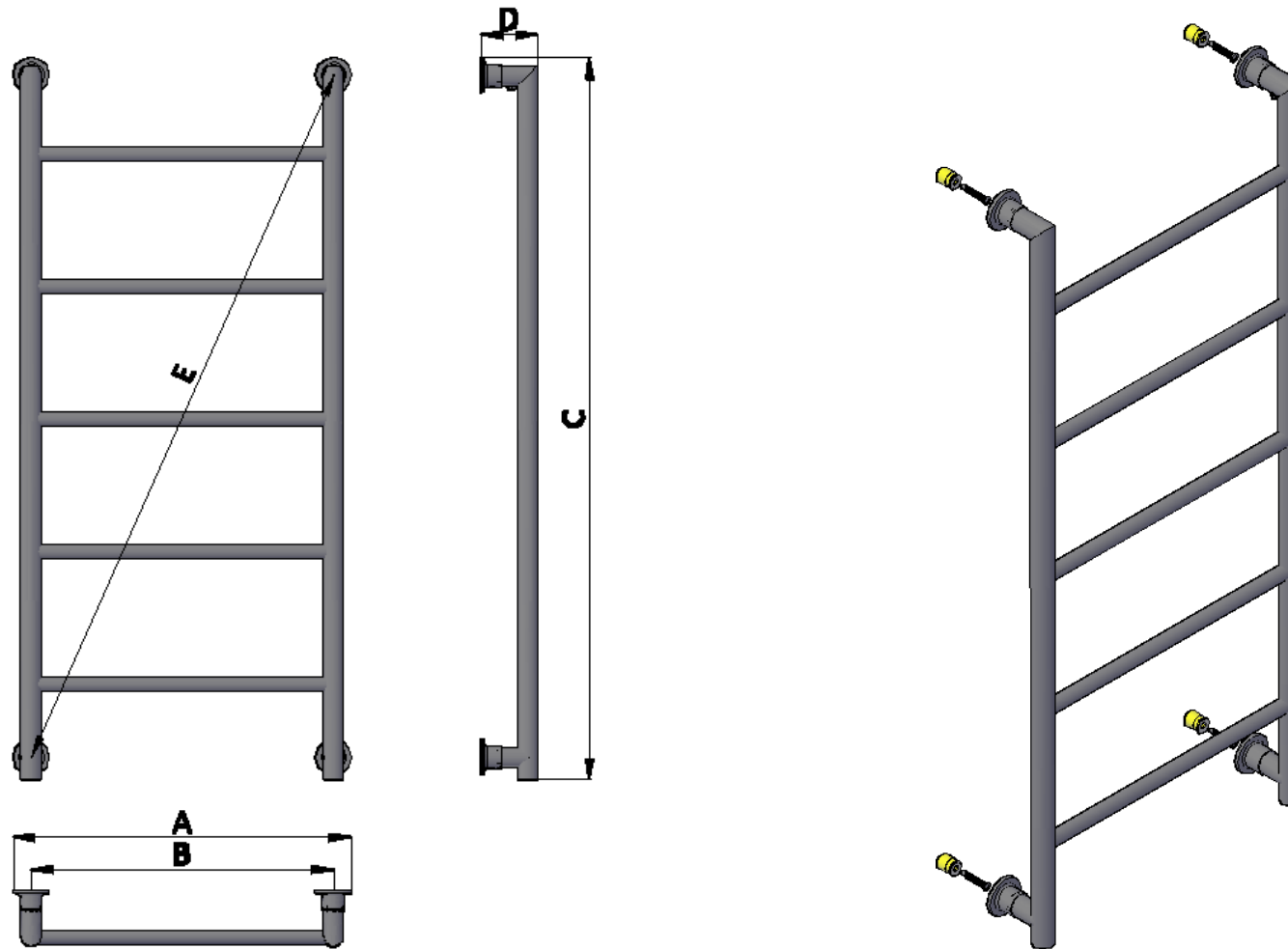


43100001830 - Noir 1200x560mm



A - LENGTH	B - WIDTH	C - WATER CENTER	D - DISTANCE TO WALL	E - LINEARITY	COLLEKTOR TYPE	PIPE TYPE
1200mm	560mm	501,5mm	93±2mm	1239mm	Ø32x1,5mm	Ø22x0,9mm