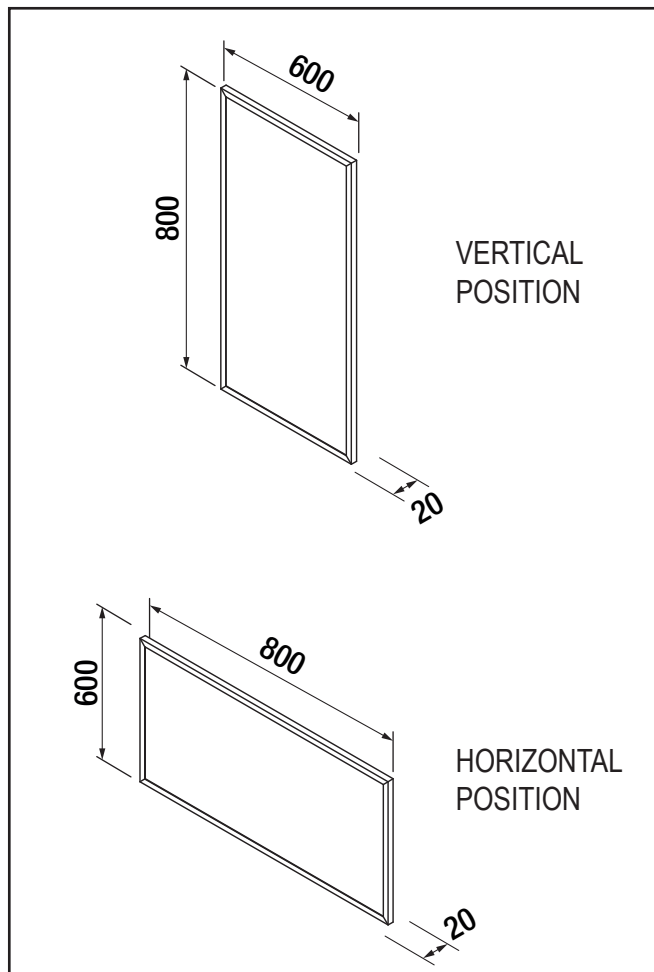


## Assembly Instructions

### Noir rectangular 800x600 H/V

41800030070



#### IMPORTANT:

This vanity unit must be securely fixed to a suitably strong wall. It may be necessary to reinforce the wall at the fixing points. The fixing method used to secure the unit to the wall must be suitable for the wall construction.

#### CARE AND MAINTENANCE:

A furniture unit must be cleaned with a wet but well wrung-out cloth. Do not use abrasive products, and do not expose the furniture unit to chemical agents. Excess liquid and excess humidity must be cleaned immediately to prevent them penetrating into the furniture unit.

Avoid contact with sharp items that can damage the furniture surfaces.

Excessive exposure to sunlight can cause discolouration and deterioration of the furniture finishes.

It is recommended to install the furniture in a well-ventilated area and to avoid direct exposure to sunlight.

#### DIMENSIONS

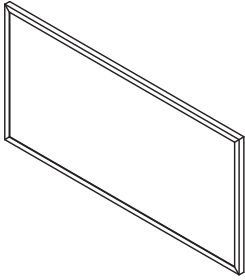
##### 800x600 unit:

Width: 800mm

Depth: 20mm

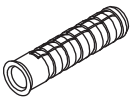
Height: 600mm

PIECES REQUIRED

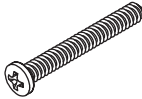


P01  
x1

FITTINGS REQUIRED



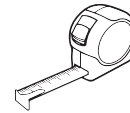
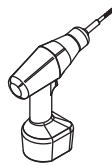
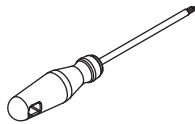
H01  
x2



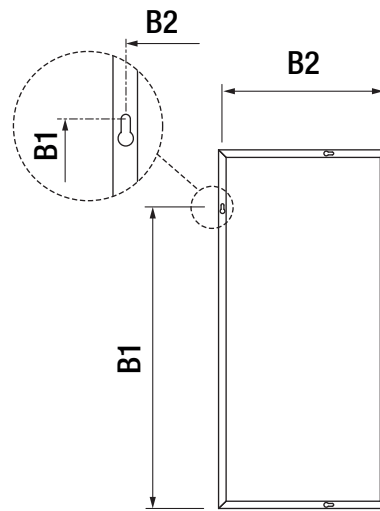
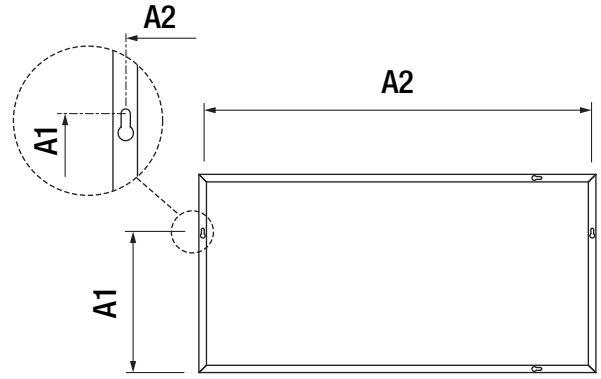
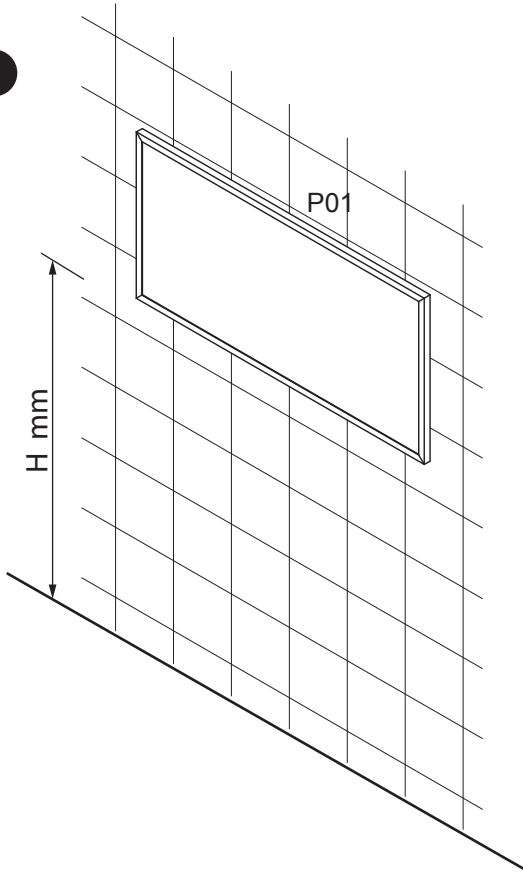
H02  
x2

NOTE: Screws (H02) and Wall plugs (H01) are only for use in masonry walls. Appropriate fixings should be used for other types of wall.

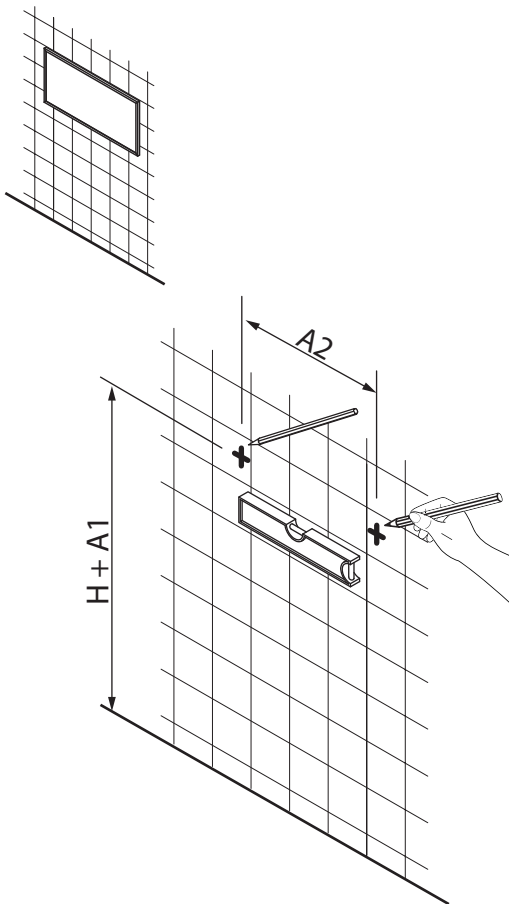
TOOLS REQUIRED



1



2A



2B

