

NOIR

Concealed thermo triple horizontal back plate and handles matt black

20004010845



DIMENSIONS:

Height of the body	275mm
Projection	170mm

CARE AND MAINTENANCE:

To maintain the appearance of this product, ensure that it is regularly cleaned only using a clean, soft damp cloth. A solution of warm water and a mild detergent may be used where necessary, and then the fitting rinsed thoroughly and wiped dry. Any other cleaning action will invalidate your warranty.

Abrasive cleaners, scouring cleaners and acidic cleaners **must not be used** under any circumstances. Avoid contact with all solvents (including chlorinated solvents, ketones or acetones as these may result in surface deterioration or etching). Also avoid contact with any harsh household chemicals such as oven cleaners, drain cleaners, rust removers, paint strippers and toilet bowl cleaners, bar keepers friend, brasso or similar products.

INSTALLATION GUIDELINES

1. Installation should be carried out by a competent engineer, in accordance with water regulations.
2. Before installation, ensure supply pipes are flushed clean. Debris or loose particles will affect the efficiency of the cartridges. Failure to flush through pipe work before installation of the valve may cause serious damage to the cartridge, for which bathstore will not be liable.
3. Hot & cold pressures should be balanced.
4. In hard water areas, to prolong the lifespan and reduce servicing periods, we recommend that a suitable water softener be fitted.
5. Mount the thermostatic valve inside the wall cavity and connect the supply pipes. **Care should be taken in respect to the depth of the housing 80-100mm.** Be sure that the supply pipes have been flushed out to remove any debris in the pipe work; such debris can damage the mixing valve.
6. Connect the hot water to the inlet marked (H) Hot and the cold water supply to the inlet marked (C) Cold.
7. Check that the thermostatic valve is working correctly without leaking. Then mount protective cap to complete the finished wall. When finished remove the cap and fit the cover plate and handles.

REPLACEMENT OF THE THERMOSTATIC CARTRIDGE

In the unlikely event you should need to change the thermostatic cartridge proceed as follows:

- Close off the hot and cold water supplies.
- Remove the levers and handles
- Unscrew the thermostatic nut control and remove the thermostatic handle sleeve
- Remove the plate.
- Unscrew the grub screw and pull out the thermostatic cartridge.
- Insert a new cartridge and replace all components listed above in reverse.

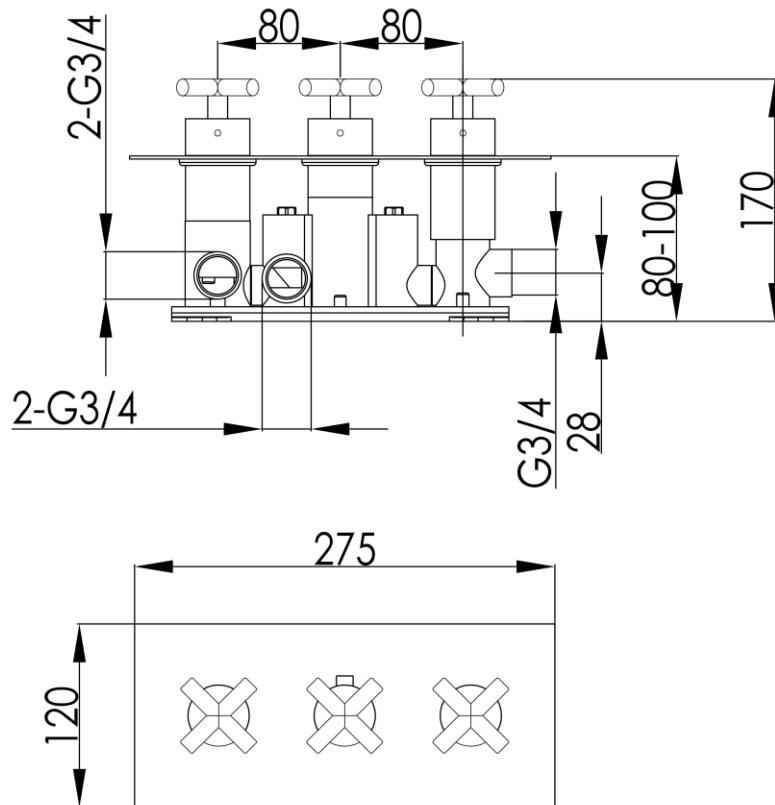
Calibration

The thermostatic valve is factory set using cold water at 15°C and hot water at 65°C at 3 bar pressure.

If after installation it is found that the actual temperatures vary significantly from those indicated on the scale on the temperature control handle, the valve may be recalibrated as follows:

- Set the temperature control handle so that the water temperature at the shower is 38°C. This can be checked using a thermometer.
- Undo the retaining screw under the cover disc and remove the temperature control handle
- Rotate the temperature control handle and tighten the retaining screw so that the 38°C position lines up with the setting mark.
- Replace the temperature control handle and tighten the retaining screw.
- Replace the cover disc.

DIMENSIONAL DRAWING



FLOW RATE & OPERATING CONDITIONS	
Recommended water pressure 1 - 5 bar	
Optimum water pressure 2 bar	
Concealed Valve Only	
0.5 Bar	12 L/Min
1 Bar	16 L/Min
2 Bar	23 L/Min
3 Bar	29 L/Min