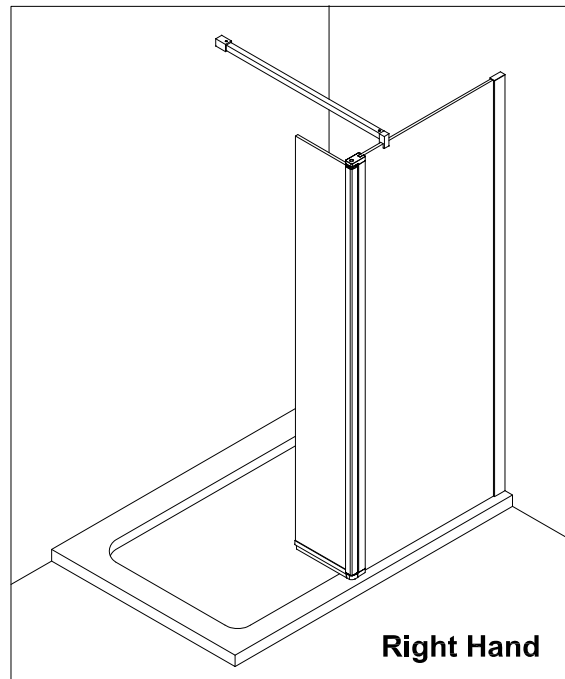
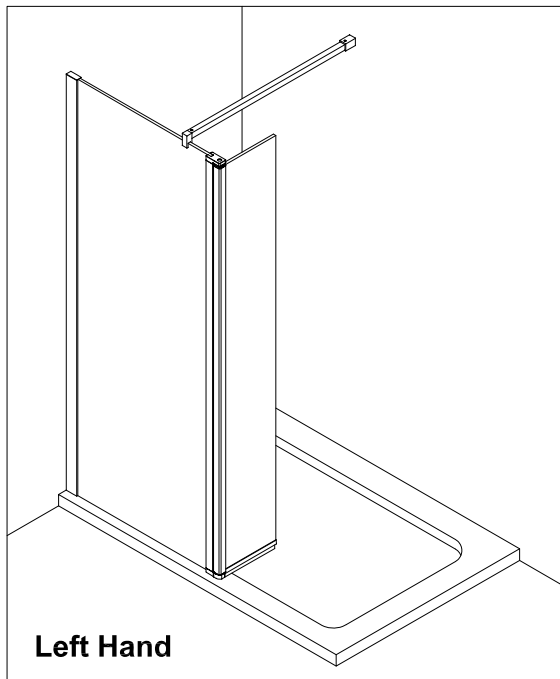
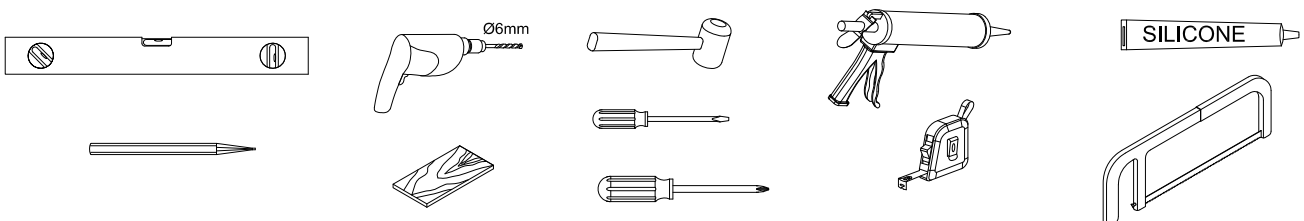


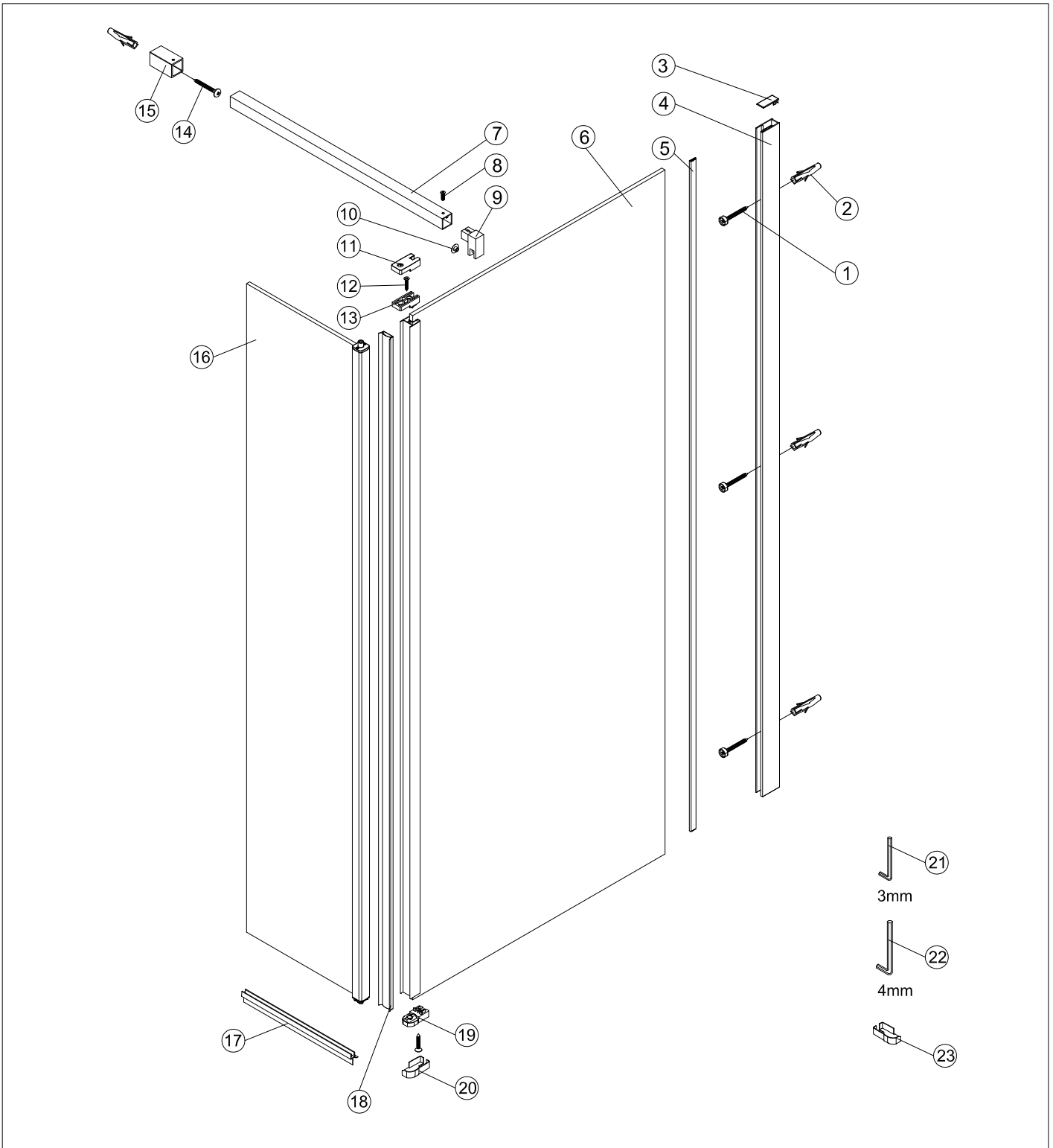
Noir Walk In Shower Enclosure Matt Black Clean Plus Installation Instructions



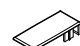
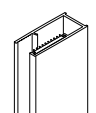

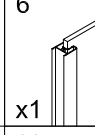
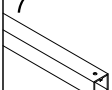

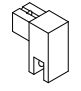

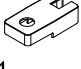

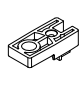


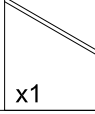
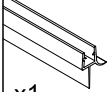

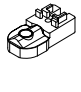
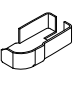


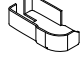


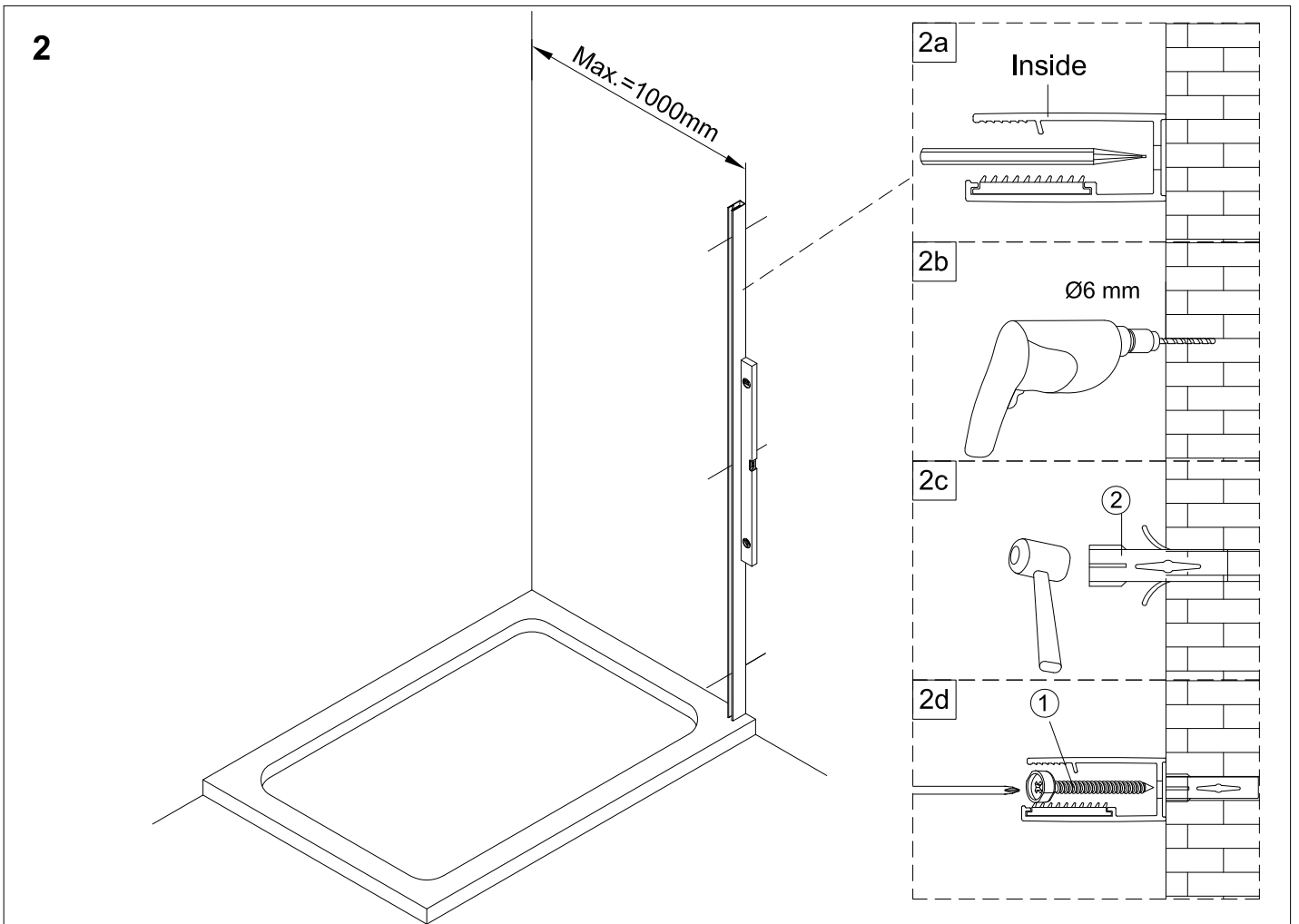
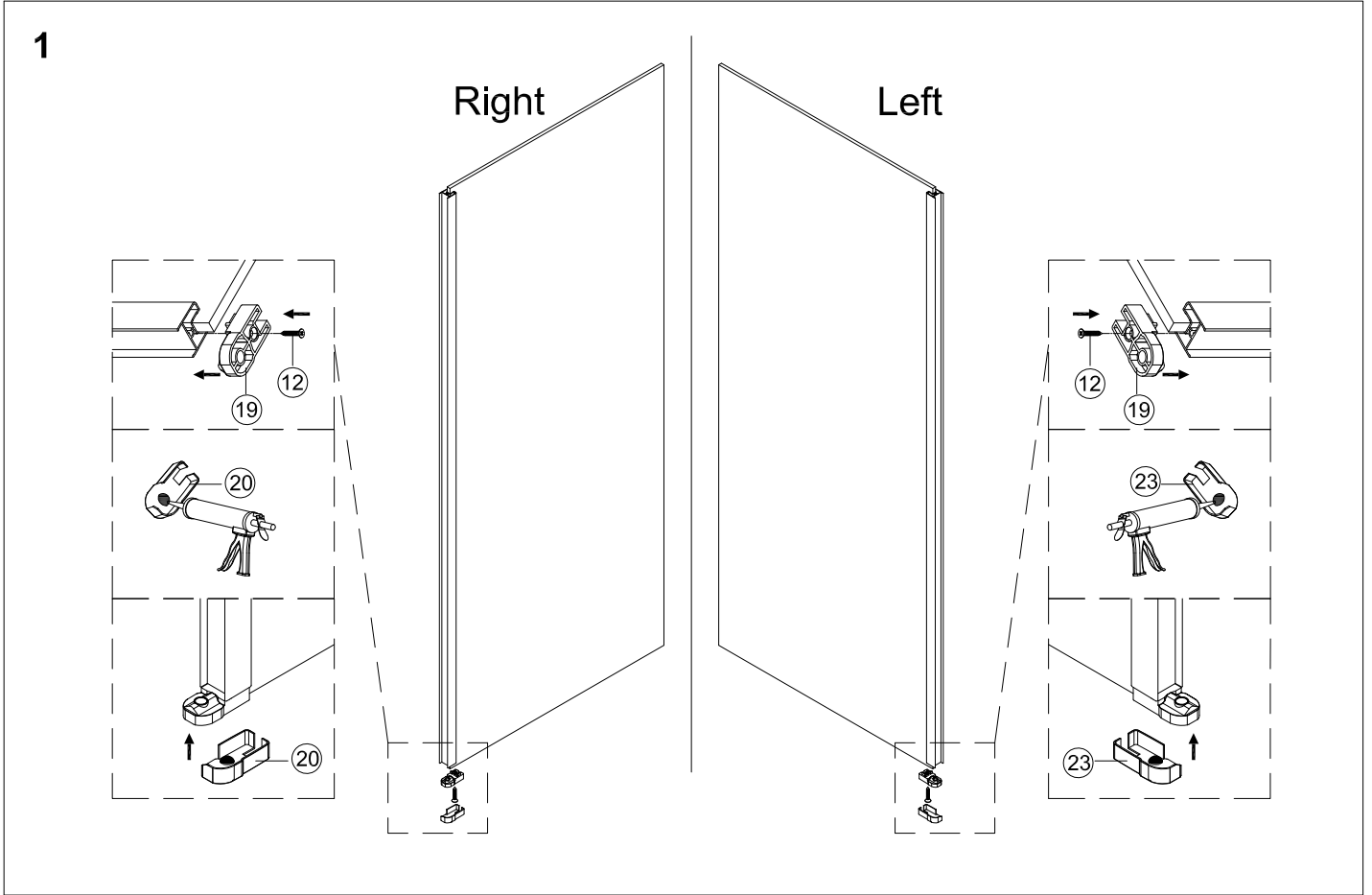
- Prior to installation check that all fittings have been supplied.
- The tray should be installed by a competent person. The tray should be level, the walls should be tiled down to the tray, and the horizontal joint between the tiles and tray must be sealed with silicone sealant to ensure water-tightness.
- Handle with care. Impacts can damage both the glass and the frame.
- Please check for any hidden pipes or cables before drilling holes in the wall.
- The success of the installation and operation is, of course, dependant on the squareness, alignment and construction of the walls to which the enclosure is fixed. If the walls are significantly out of true we recommend dry lining the walls to ensure they are both vertical and at 90 ° to each other.
- The enclosure is reversible: " door can be either left or right opening. "
- In the remainder of this manual the illustrations will only show the right hand installation of the walk in door.
- The wall fixings supplied may not be suitable for your installation. You may need to source alternatives depending on the construction of the wall you are fixing to.

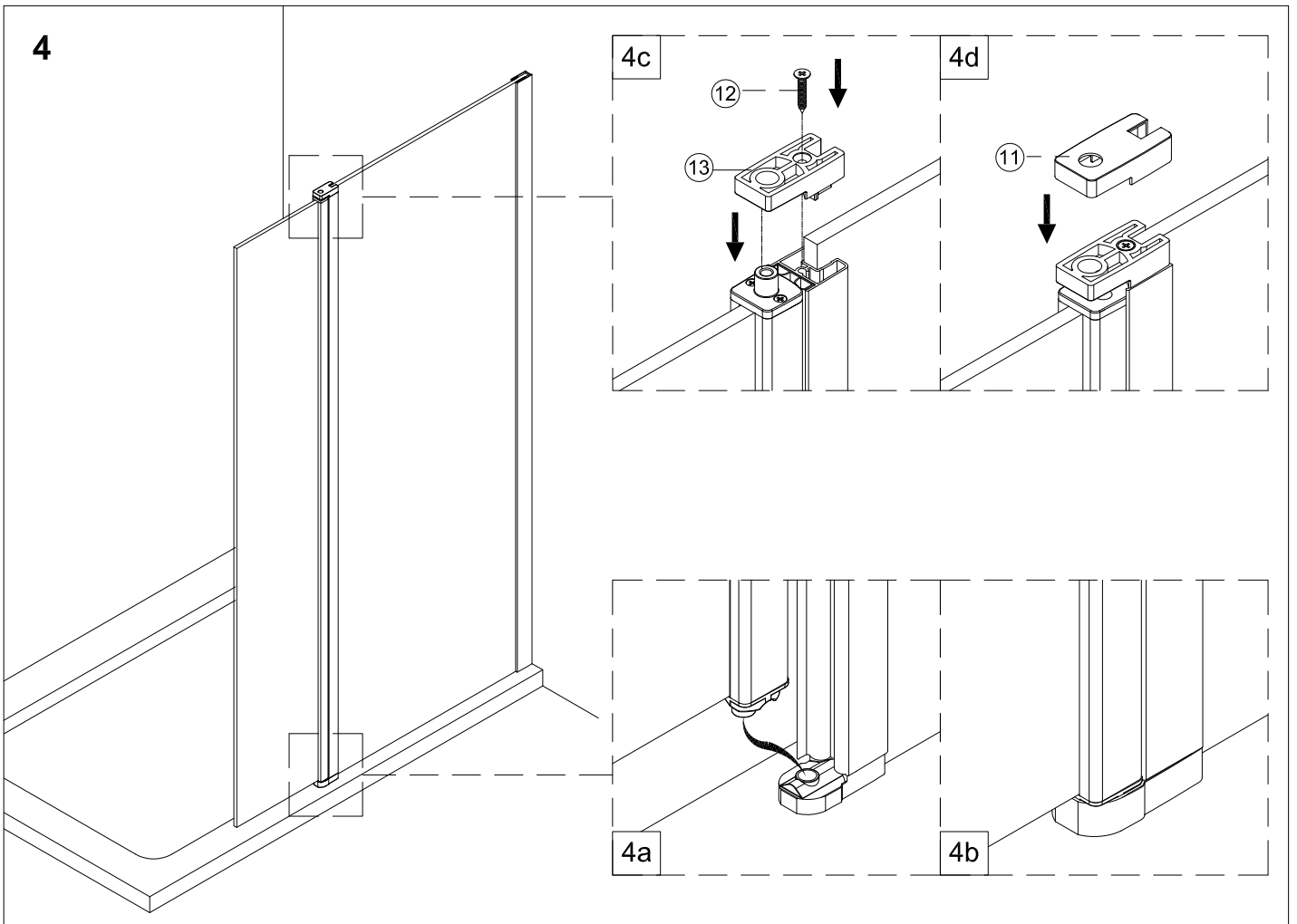
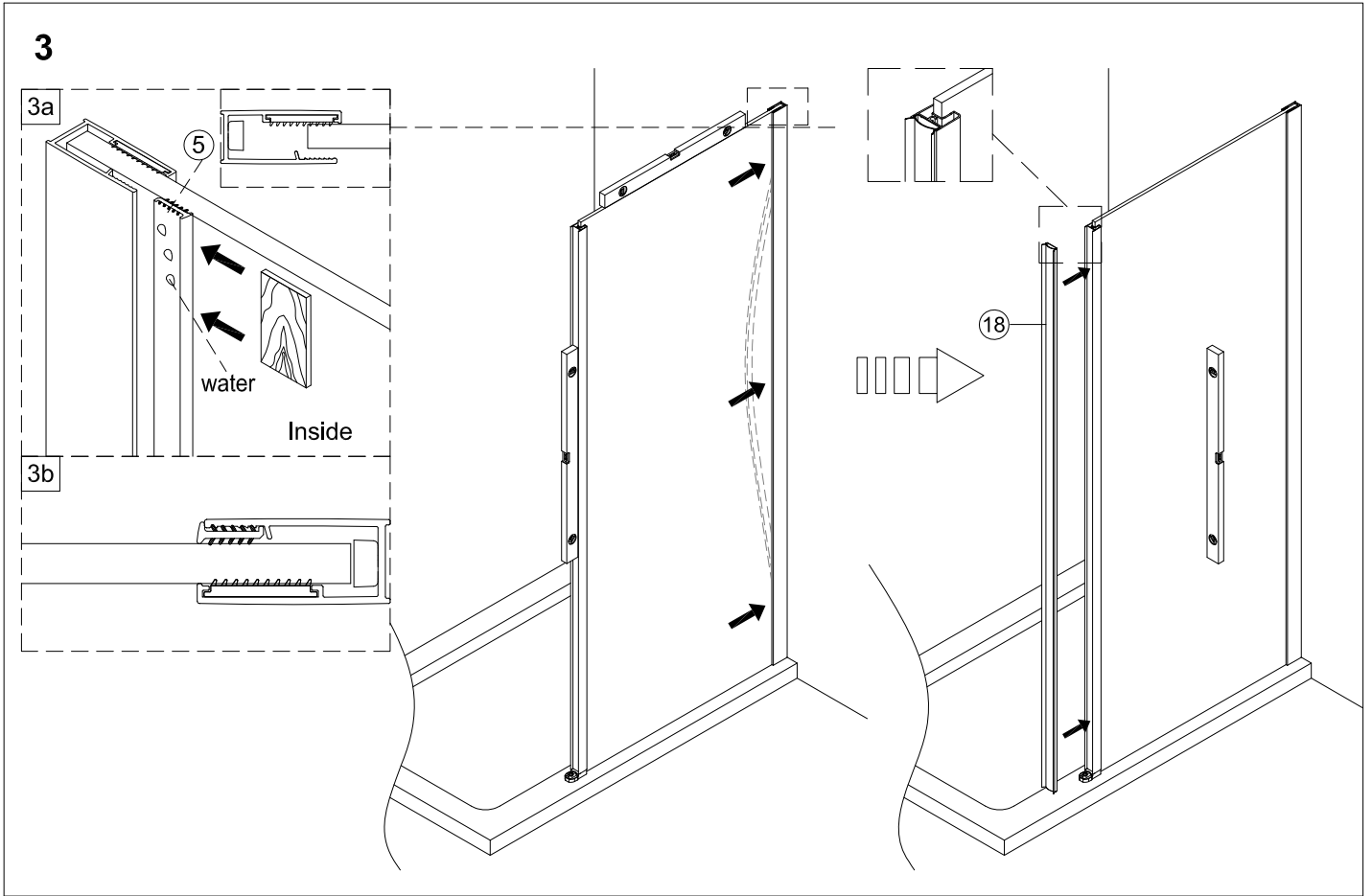
Tools Required:

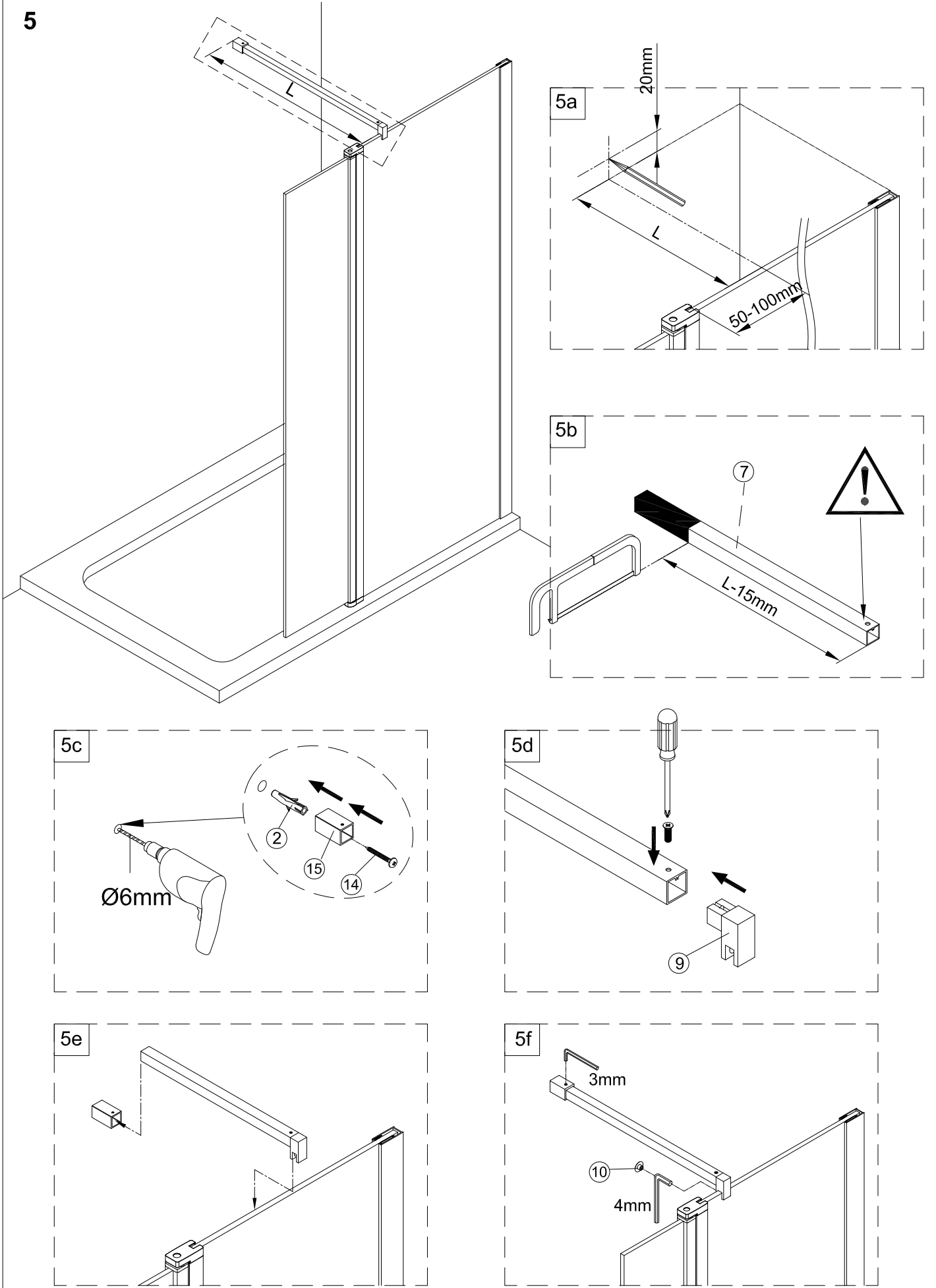


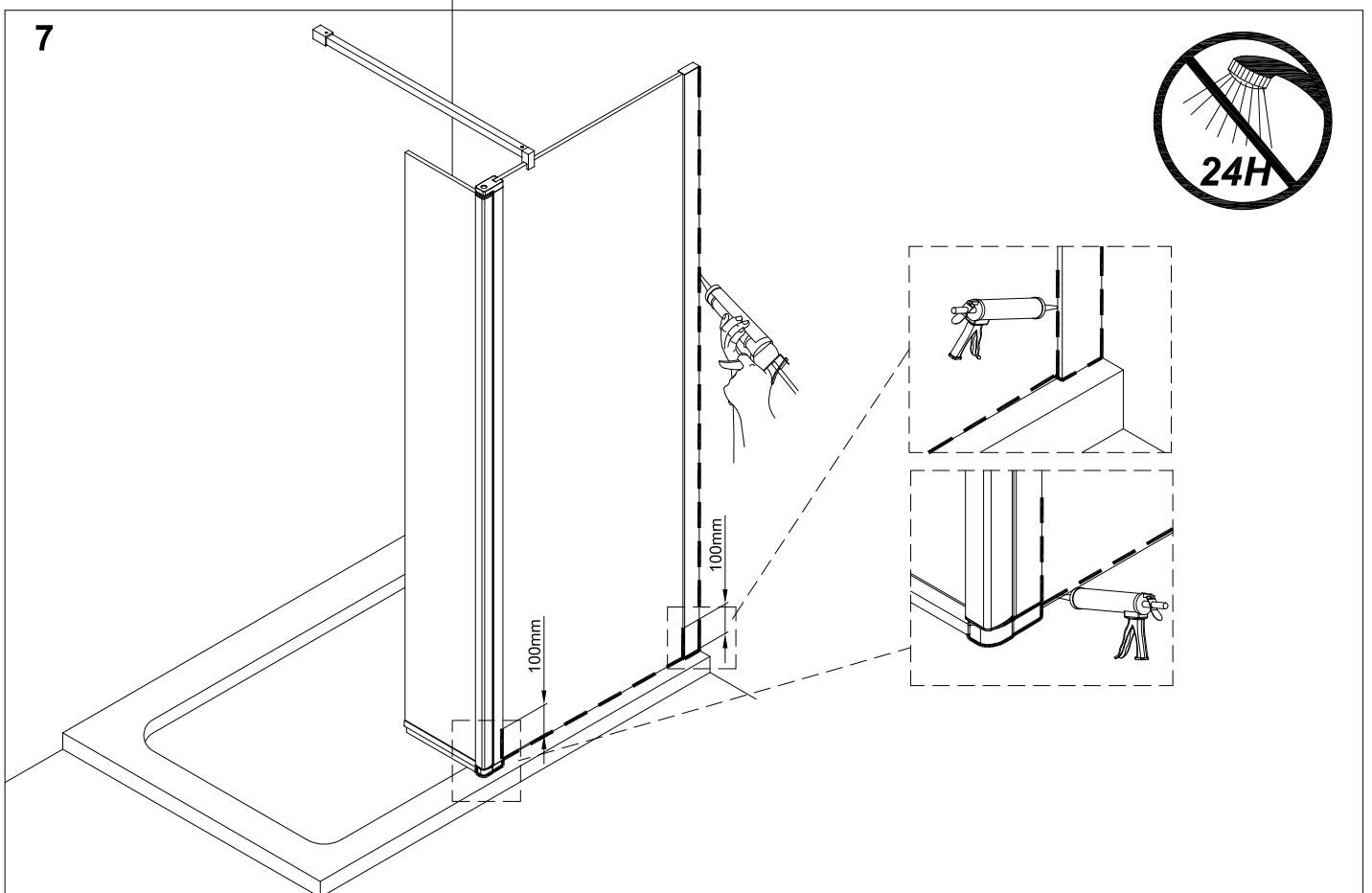
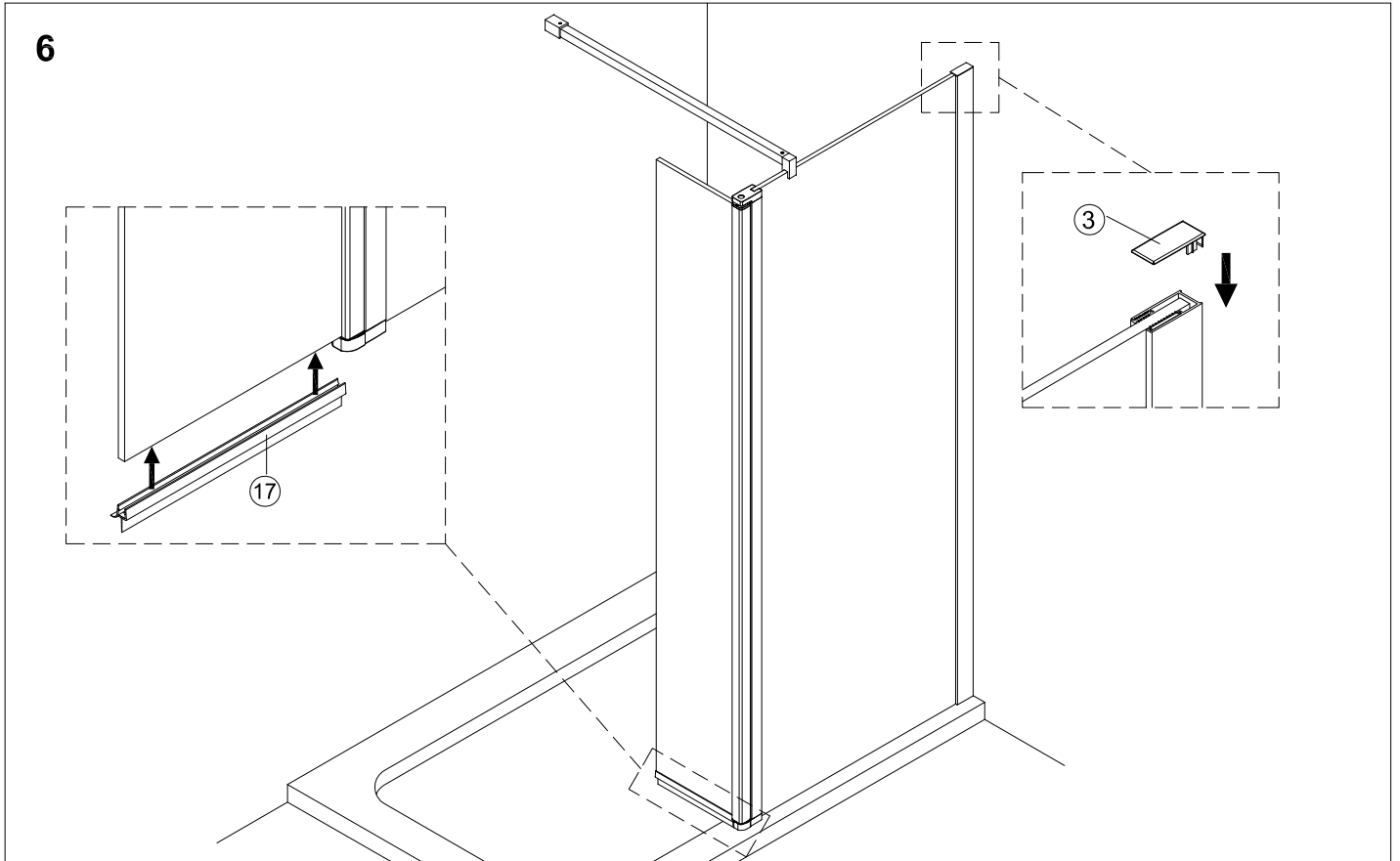


1  x3 ST4x40	2  x4	3  x1	4  x1	5  x1	6  x1	7  x1	8  x1 M4x10	9  x1	10  x1
11  x1	12  x2 ST4x30	13  x1	14  x1 ST4x40	15  x1	16  x1	17  x1	18  x1	19  x1	20  x1
21  x1 3mm	22  x1 4mm	23  x1							









MAINTENANCE FOR EASY CLEAN GLASS

The side with the label "EASY CLEAN THIS SIDE" is coated.

For routine cleaning we recommend the use of clean lukewarm water and a soft cloth in combination with a regular (non-abrasive) household cleaner.

Please see our website www.bathstore.com for any assistance.