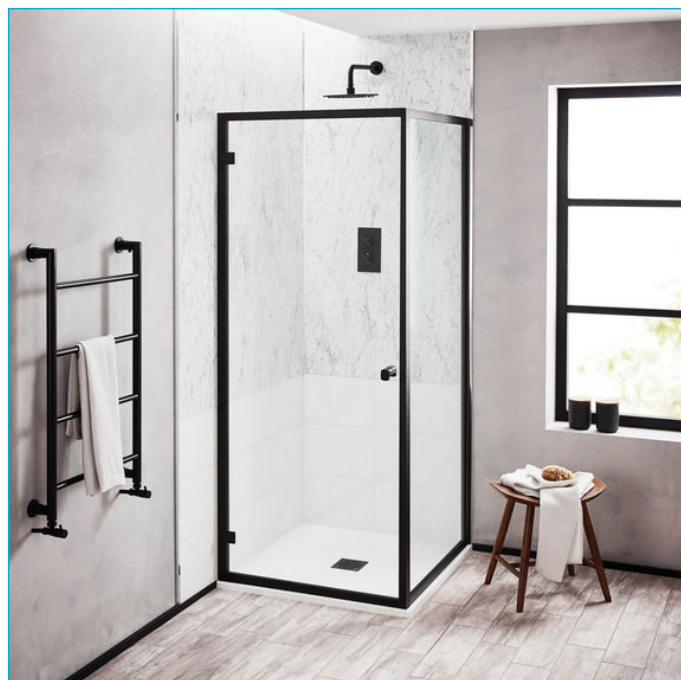


NOIR MATT BLACK 800 HINGE DOOR



ILLUSTRATED

51000033950 NOIR MATT BLACK 800 HINGE DOOR CLEAN PLUS

CONFIGURATION OPTIONS

51000033970 NOIR MATT BLACK 800 SIDE PANEL

51000033980 NOIR MATT BLACK 900 SIDE PANEL

MATERIAL

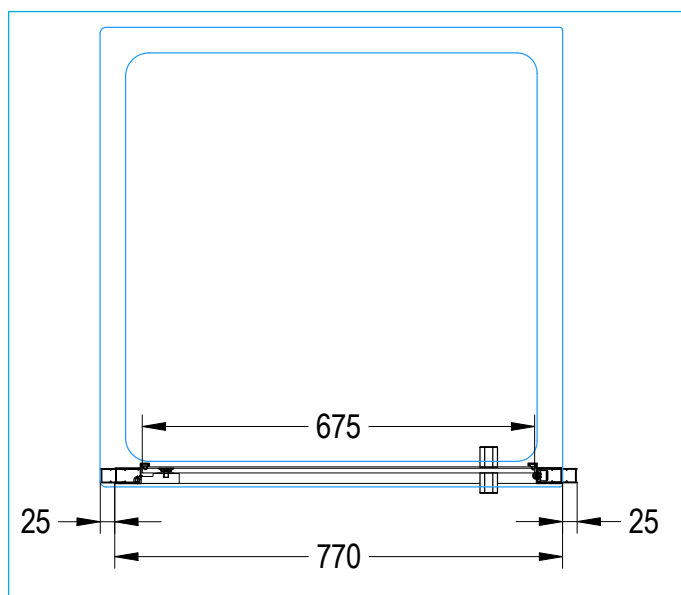
Aluminium
8mm glass

STANDARDS

BS EN 14428

NET WEIGHTS

Screen 30.6kg



COLOURS AND FINISHES

Matt black

SPECIAL NOTES

Matching waste available

FEATURES

Cutting edge design

Clean+ technology reduces limescale build up making cleaning faster and easier

PRODUCT CODE	DESCRIPTION	HEIGHT (mm)	ADJUSTMENT RANGE (mm)	ADJUSTMENT RANGE WITH SIDE PANEL (mm)
51000033950	Noir matt black 800 hinge door	2000	770-820	770-795

For further details:

Go online at bathstore.com

bathstore.com Ltd. Makes every effort to ensure that the information provided on its website is accurate. However, we cannot guarantee this, and accept no liability for any information given via its website.