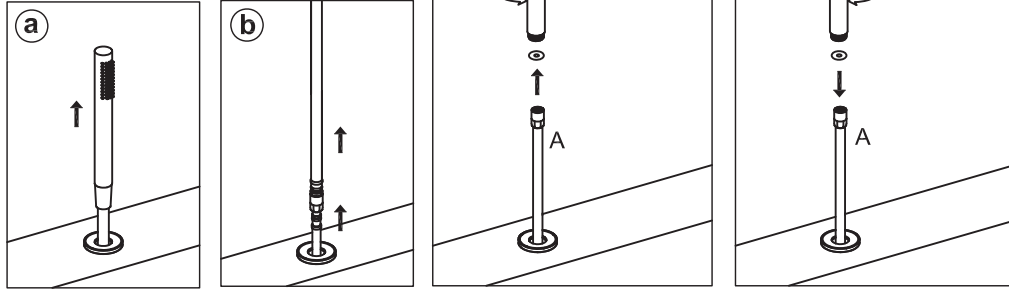
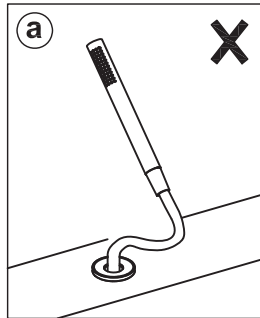
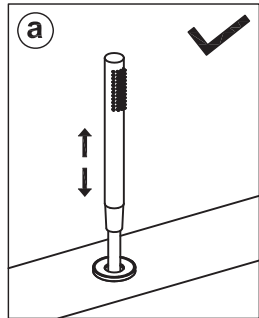


MAINTENANCE

FLEXIBLE REPLACEMENT (A)

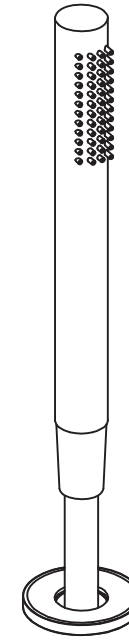


Tightly screw the new flexible to the connection, with the gasket in between, paying attention not to lose grip on the flexible (point A in picture c). Accidental loss of the pipe can be difficult to recover. The length from the feeding point to the handshower connection on the bath deck must not exceed 70cm, otherwise handshower will be prevented from returning correctly.



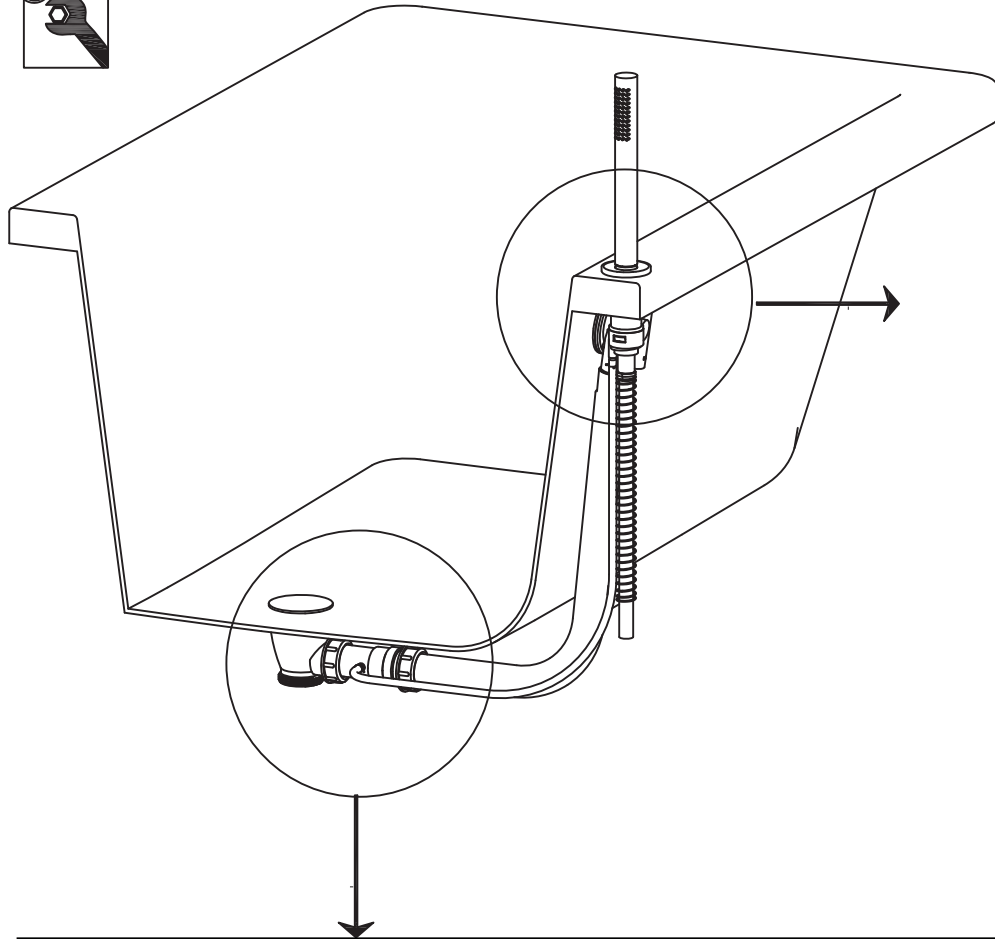
WASH AWAY DECK MOUNTED SHOWER HANDSET & HOSE WITH OVERFLOW KIT

20007014270

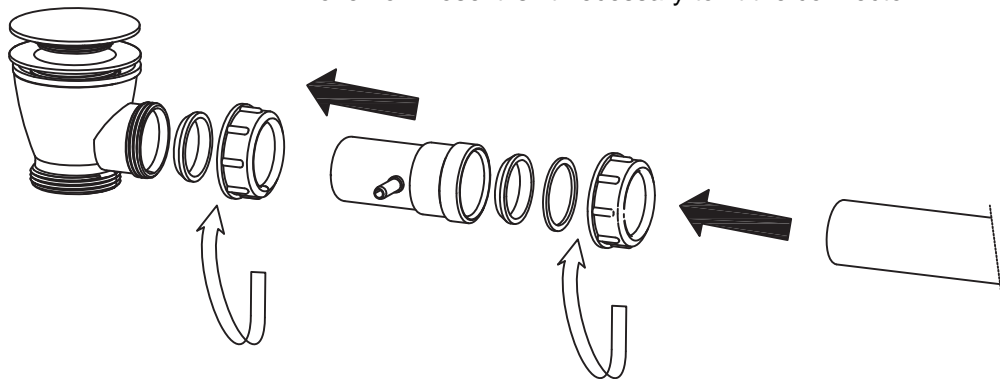


INSTALLATION INSTRUCTIONS



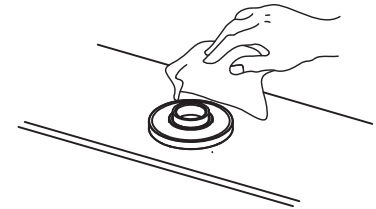
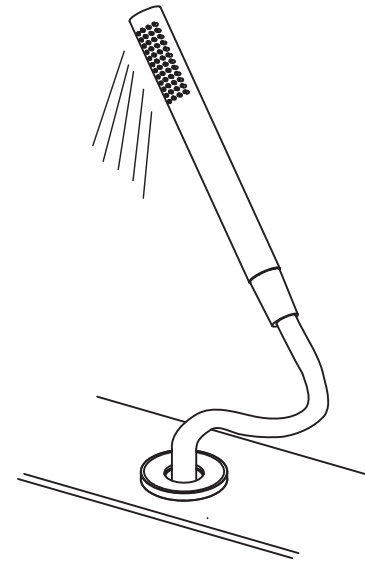
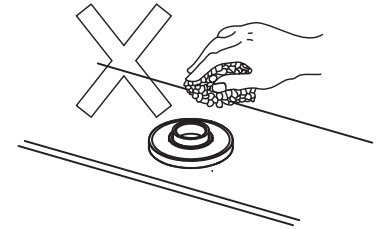
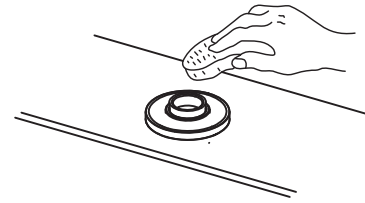
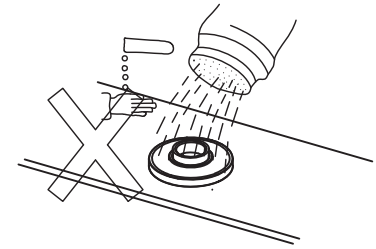
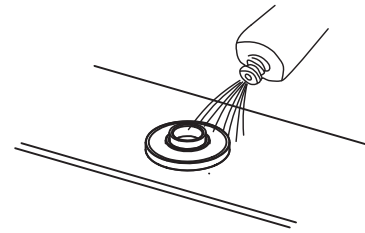


If the bath waste already includes a spigot to take the overflow hose it isn't necessary to fit the connector

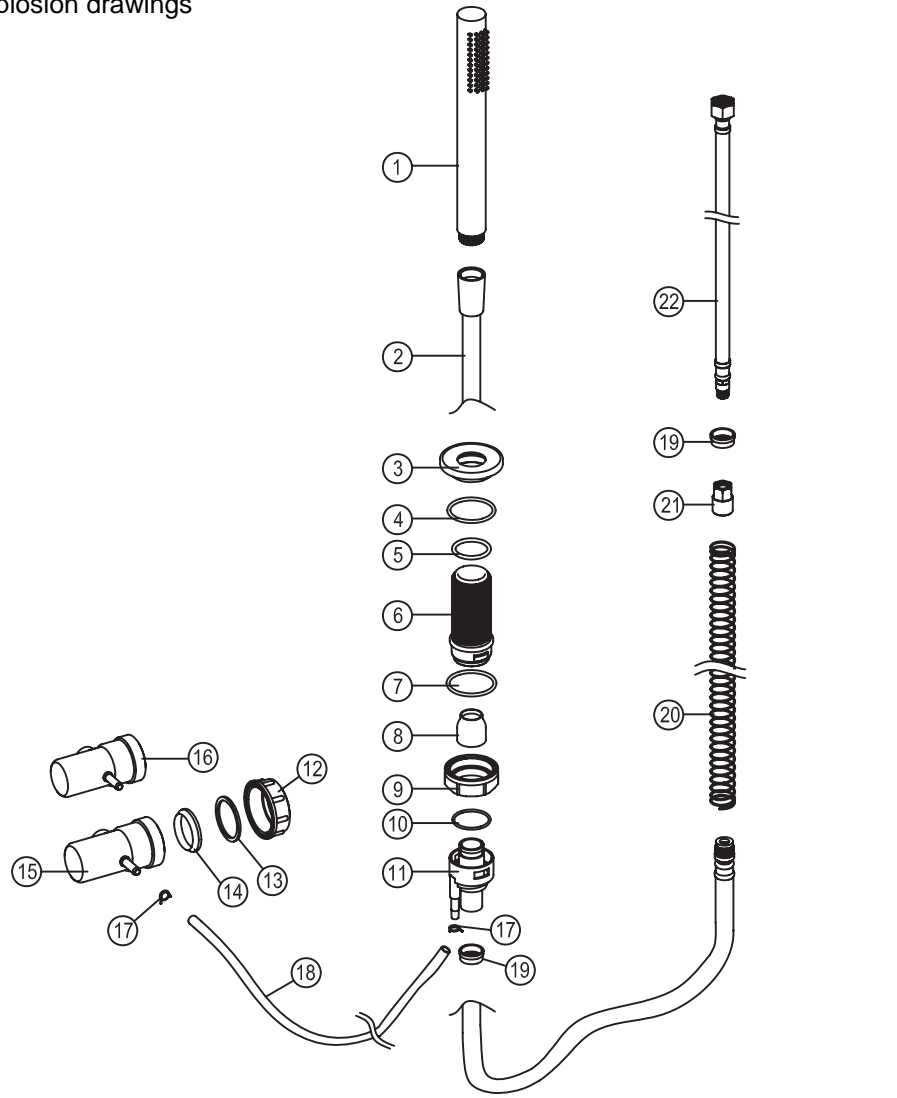


CLEANING

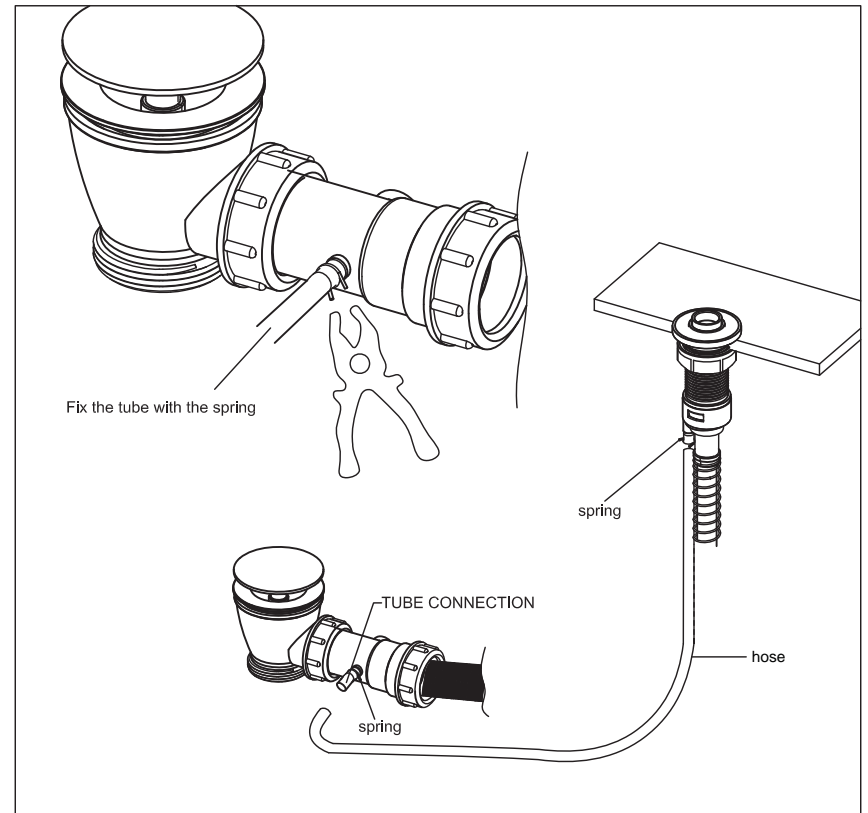
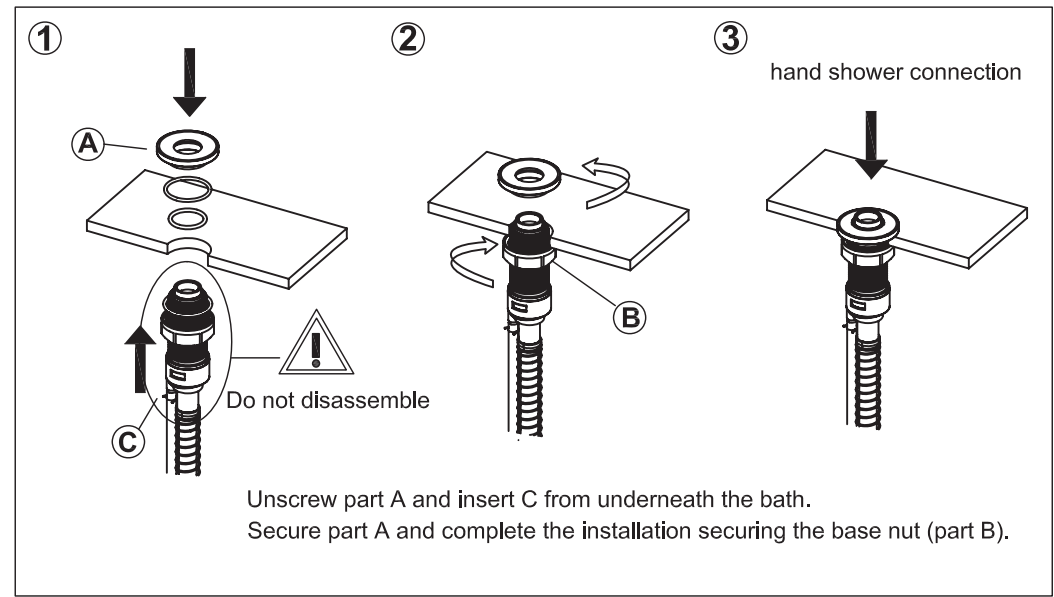
Use a mild detergent and soft cloth only



Parts explosion drawings

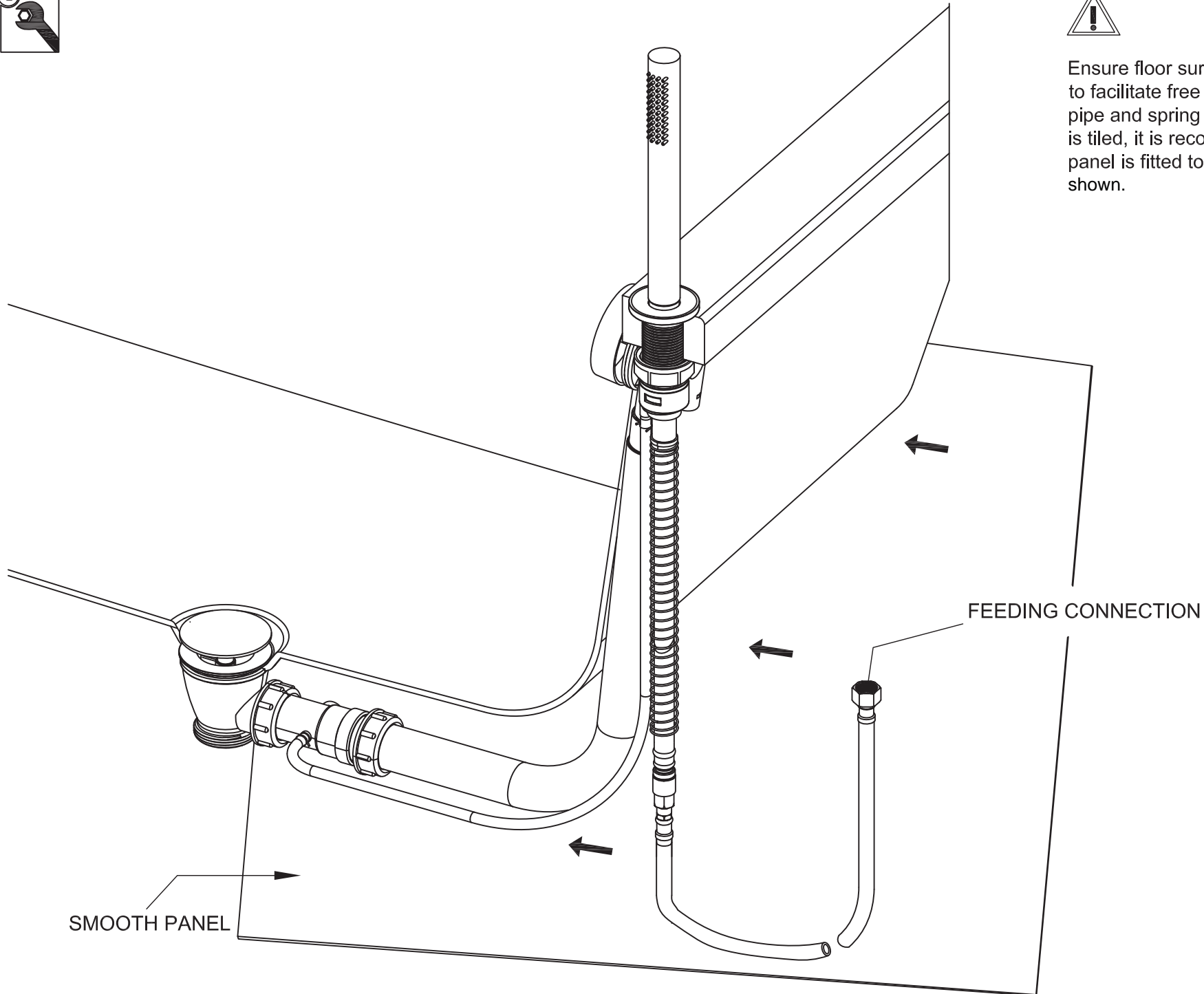


- | | | | |
|-------------------|-------------------|----------------------------|----------------------|
| ① Hand shower | ⑦ O-Ring | ⑬ Washer | ⑲ Gear cap |
| ② Shower hose | ⑧ Rubber sleeve | ⑭ Sealing Washer | ⑳ Spring |
| ③ Chrome cover | ⑨ Hexagonal nut | ⑮ Large diameter connector | ㉑ Hose connector |
| ④ O-Ring | ⑩ O-Ring | ⑯ Small diameter connector | ㉒ Braided flexi hose |
| ⑤ O-Ring | ⑪ Connection tube | ⑰ Lock catch | |
| ⑥ Connection tube | ⑫ Lock nut | ⑱ Hose | |

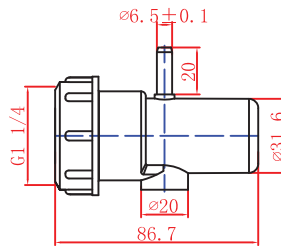
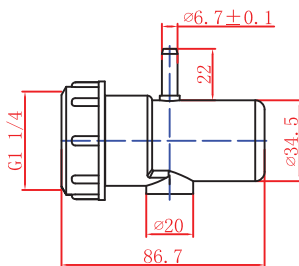
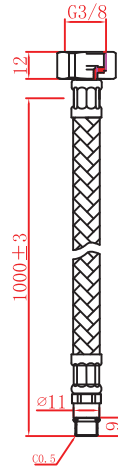
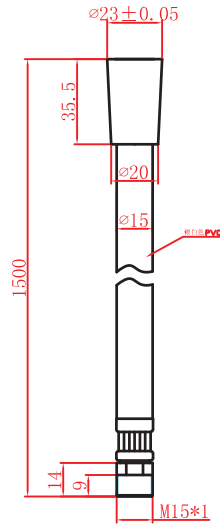
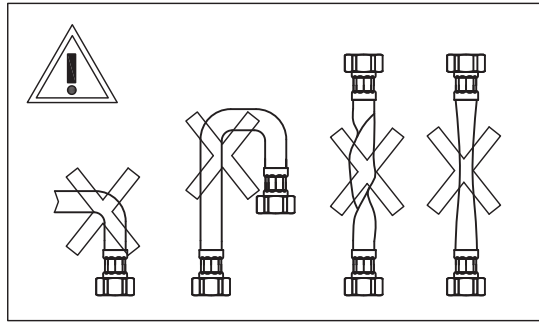
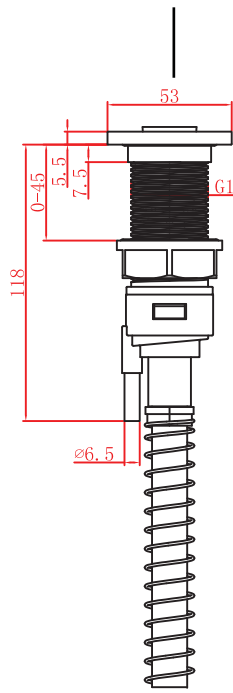




Ensure floor surface beneath bath is clean to facilitate free movement of the flexible pipe and spring return. Unless this surface is tiled, it is recommended that a smooth panel is fitted to allow free movement - as shown.



Hand shower connection



This product should only be fitted by a qualified plumber to NVQ (National Vocational Qualification) or SNVQ (Scottish National Vocational Qualification) Level 3. Should the installation be complete by a non - qualified person then guarantee may be considered invalid.



For any further information please see our website www.bathstore.com for any assistance. The manufacturer reserves the right to make technical modifications without prior notice.