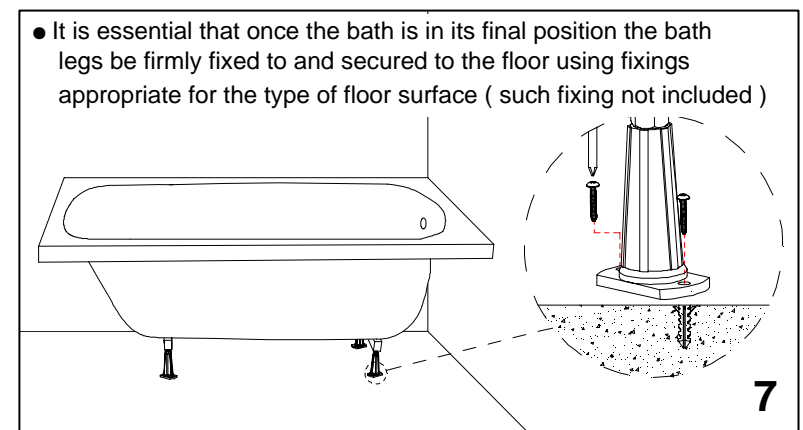
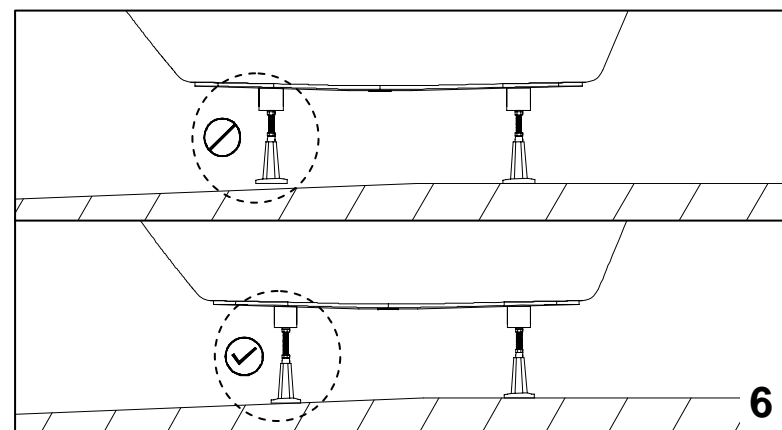
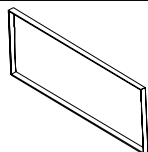






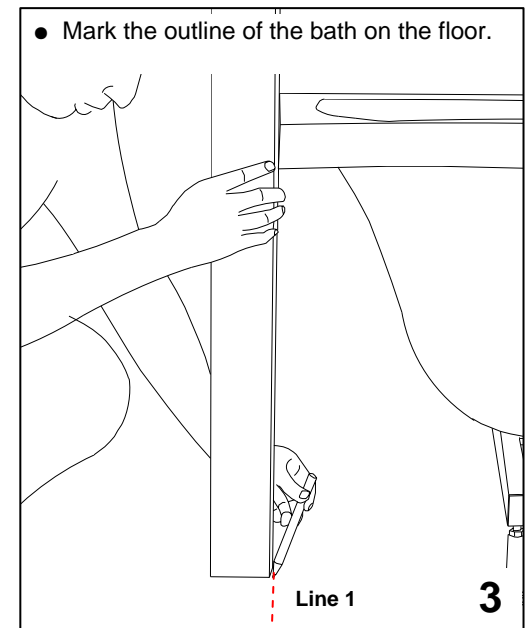
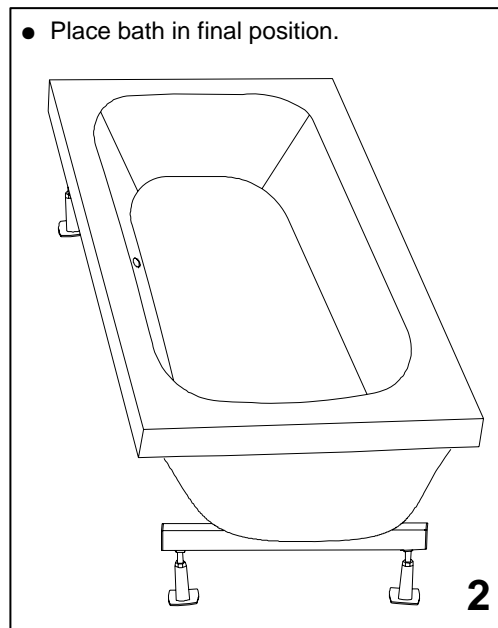
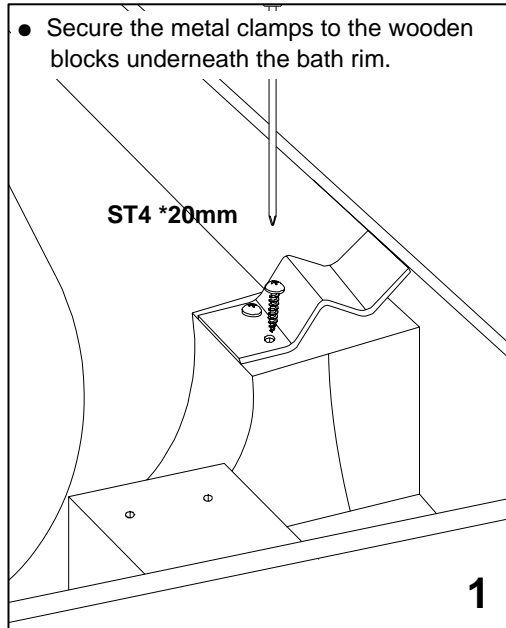
## NOTES

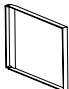




- Assemble the bath on a mat to protect the bath surface from damage or scratching
- These installation instructions do not include the waste, tap or any other items. Such items should be installed by a suitably qualified person.
- Follow each step in turn.
- Fit horizontal batten before securing bath to the floor (see page 3)

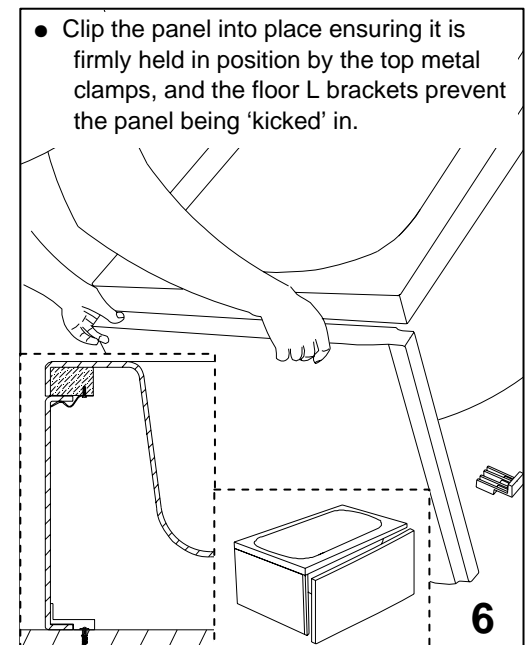
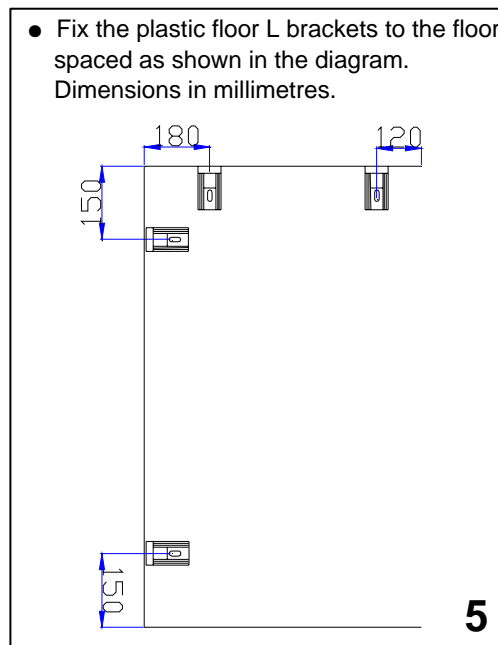
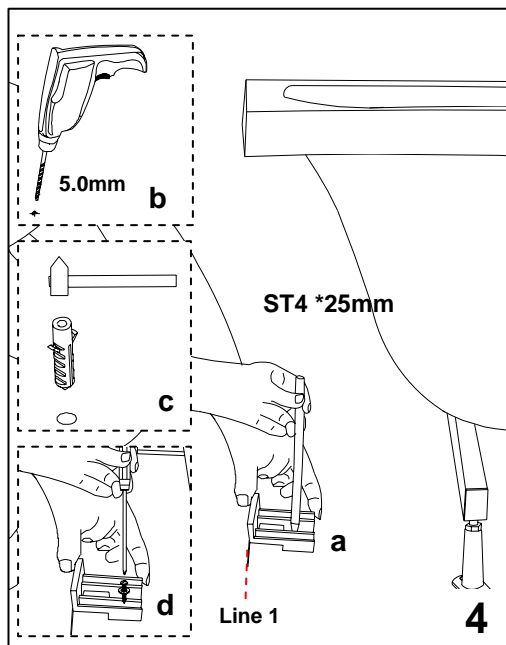


- It is essential that once the bath is in its final position the bath legs be firmly fixed to and secured to the floor using fixings appropriate for the type of floor surface ( such fixing not included )

FRONT PANEL	
1x	
ST4 *20mm 8x	 4x
ST4 *25mm 2x	 2x
 2x	 2x



END PANEL	
1x	
ST4 *20mm 4x	 2x
ST4 *25mm 2x	 2x
 2x	 2x



- Place the bath in position to determine height, water and soil requirements.

