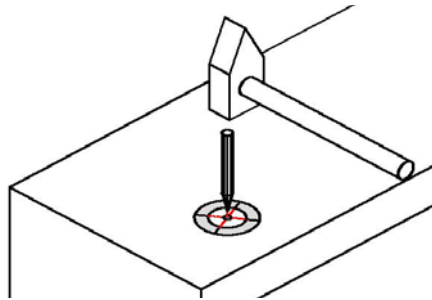


WASH MINI BASIN INSTALLATION INSTRUCTION

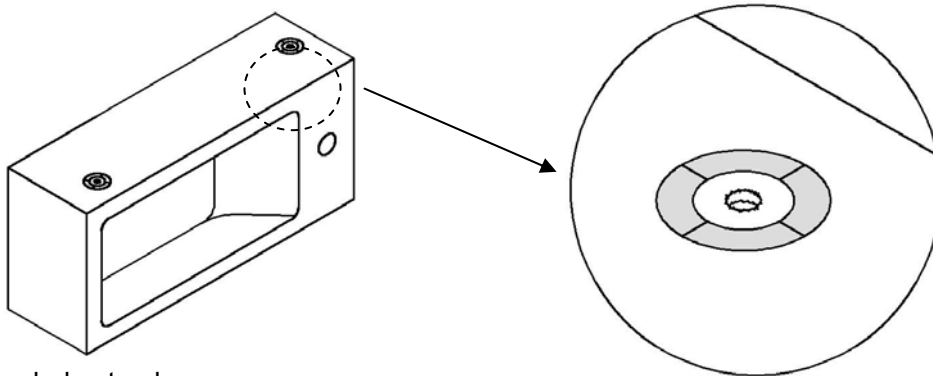
1. First decide which way around the basin will be installed, then determine which holes need to be punched. Mark the centre of the hole.



2. Using a small hammer and a centre punch lightly tap the centre of the hole.



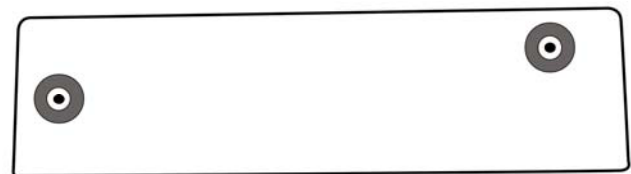
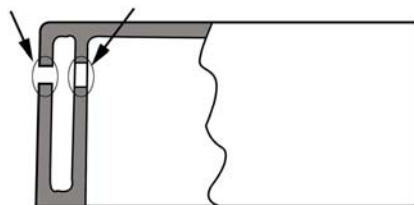
3. After a few blows the ceramic plug will fall out, leaving a thin layer of ceramic. Remove this with a file.



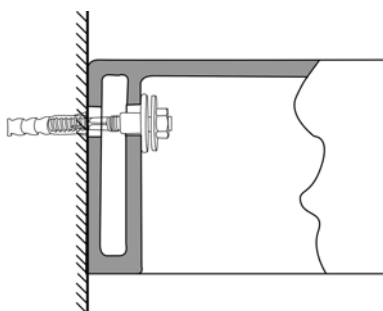
4. Do not make the holes too large.

This hole is knocked by installer.

This hole is existing.



5. Use suitable fixings for the wall



6. Installed basin.

