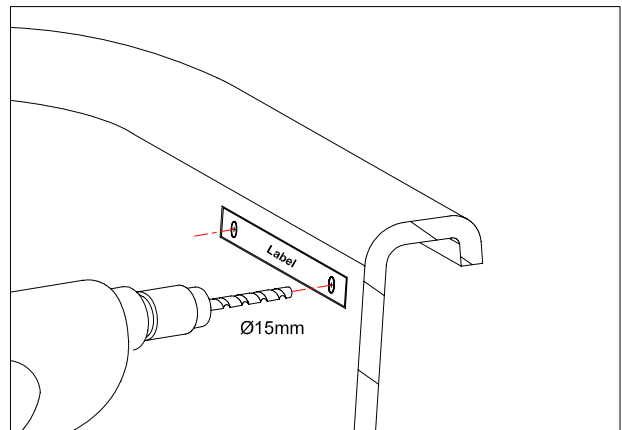
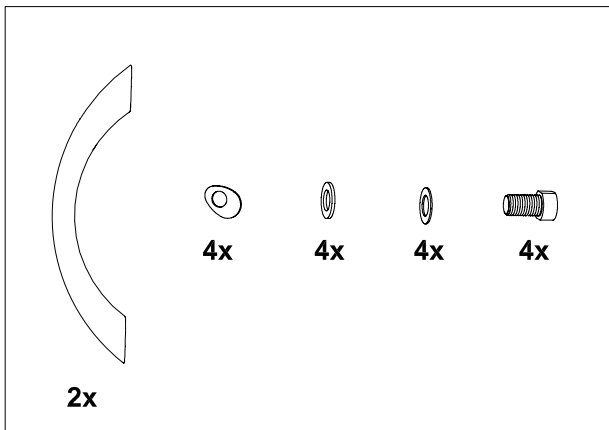


BATH GRIP INSTALLATION INSTRUCTION

TOOLS REQUIRED:

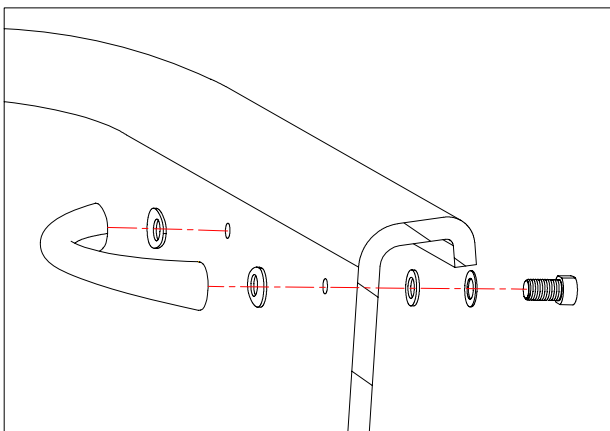


Fitting of Bath Grip should be performed prior to bath-tub installation.

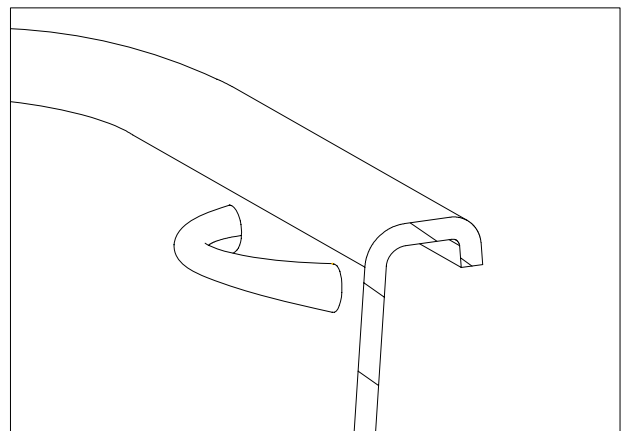


Prior to installation check that all fittings have been supplied.

Drill the 4 holes using the template stuck on the bath.



Remove the template, and install the bath grips to the bath.



Tighten the nut using the wrench. Don't over tighten as this may cause damage to bath.