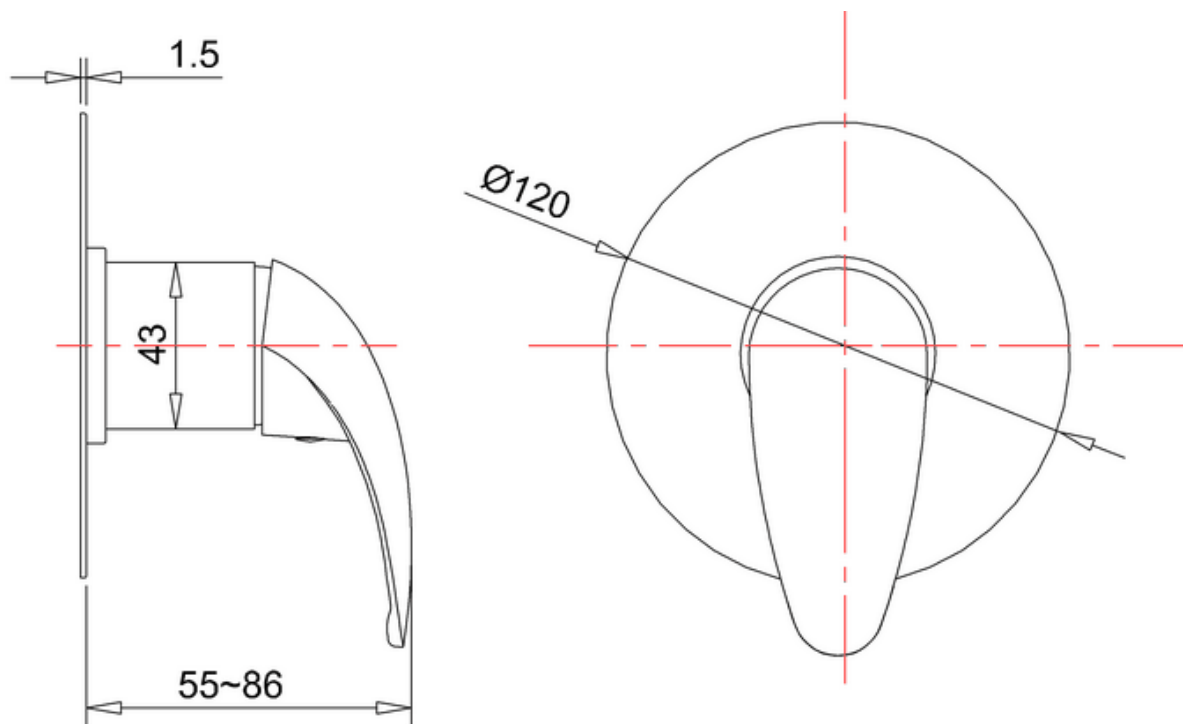


20004011730 - Contour manual valve-BSCO0004RC



Note:

For the each part, the dimension tolerance should be followed the list below.

0 ~ 100	101 ~ 200	201 ~ 400	≥ 401
±1	±2	±3	±5

For the finished assembly tap, the dimension tolerance should be followed the list below.

0 ~ 300	≥ 301
±2	±5