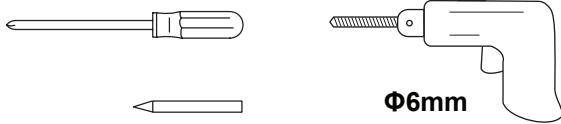






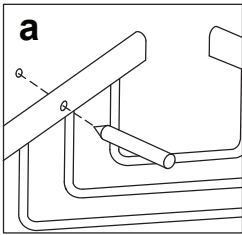
MYPRICE WIRE BASKET INSTALLATION INSTRUCTIONS

TOOLS REQUIRED:

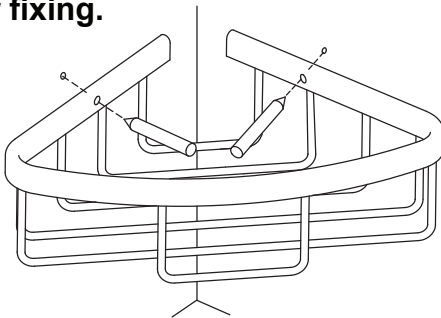
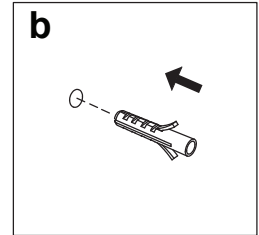
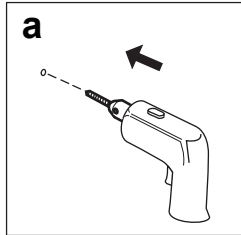


PARTS SUPPLIED:

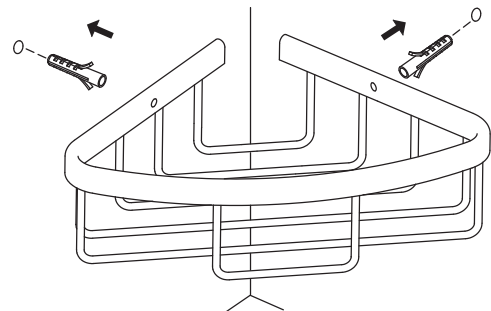
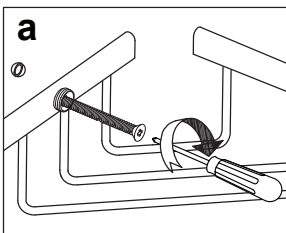
				
		Φ4.2x38mm		
41800037800	2x	2x	2x	2x
41800037810	4x	4x	4x	4x
41800037820	4x	4x	4x	4x
41800037830	2x	2x	2x	2x
41800037840	4x	4x	4x	4x
41800037850	4x	4x	4x	4x
41800031540	4x	4x	4x	4x

1


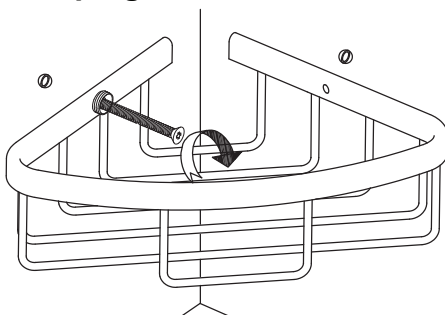
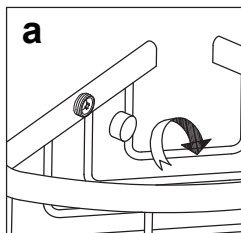
- Determine the position for installation. Put the wire basket in position, make sure it is level, and mark the position for fixing.


2


- Using a (Φ6mm) drill make the holes, and insert the wall plugs.


3


- Thread the screw with the cap washer through the wire basket into the wall plug.


4


- Once secured affix the cover cap for the screw head .

