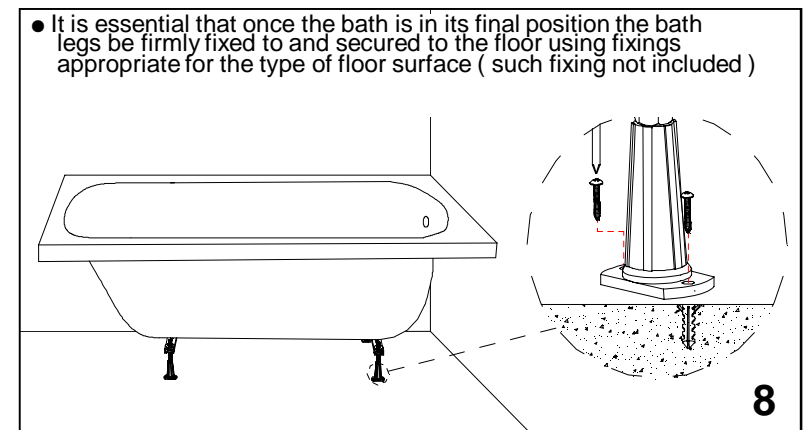
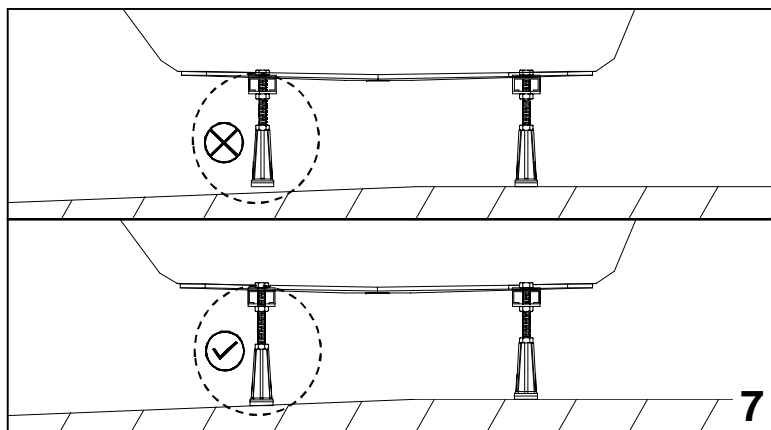
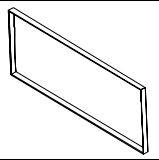




NOTES



- Assemble the bath on a mat to protect the bath surface from damage or scratching
- These installation instructions do not include the waste, tap or any other items. Such items should be installed by a suitably qualified person.
- Follow each step in turn.
- Fit horizontal batten before securing bath to the floor (see page 3)







FRONT PANEL



1x 

ST4 *20mm  4x 

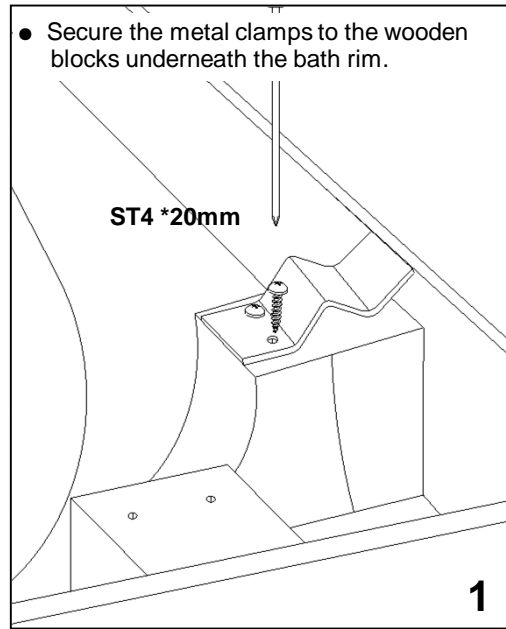
8x  4x 

ST4 *25mm  2x 

2x  2x 

2x  2x 

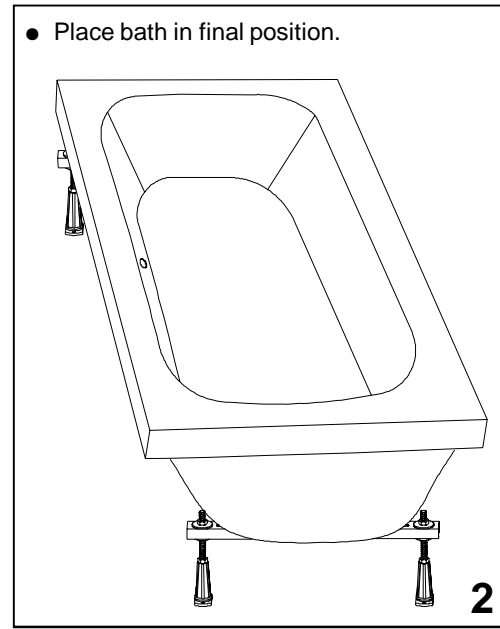
- Secure the metal clamps to the wooden blocks underneath the bath rim.



ST4 *20mm

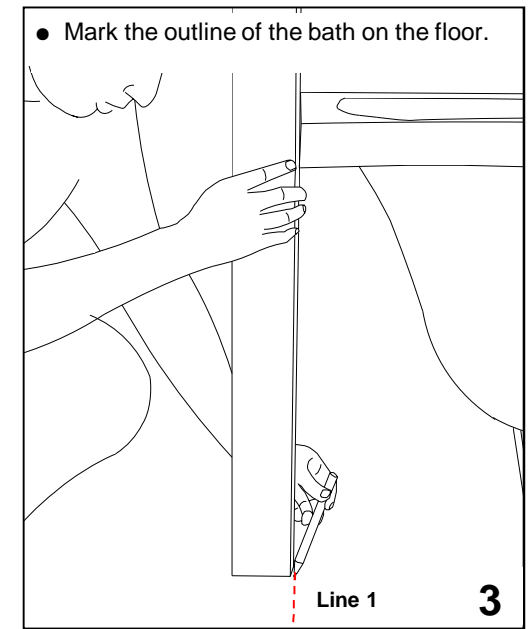
1

- Place bath in final position.



2

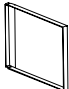
- Mark the outline of the bath on the floor.







Line 1



3



END PANEL

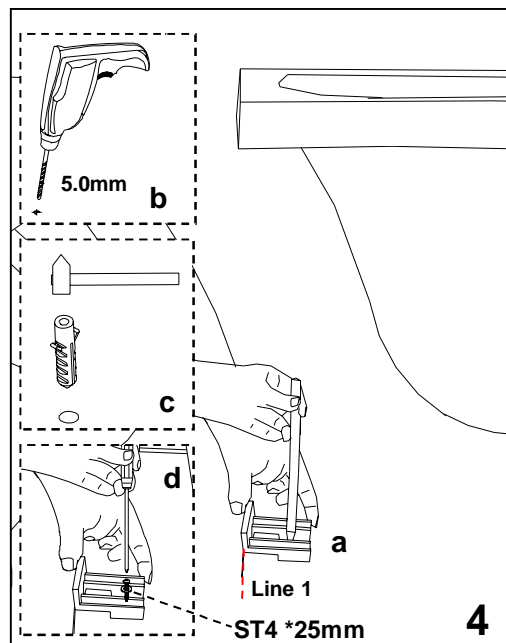
1x 

ST4 *20mm  4x 

ST4 *25mm  2x 

2x  2x 

2x  2x 



5.0mm

b

c

d

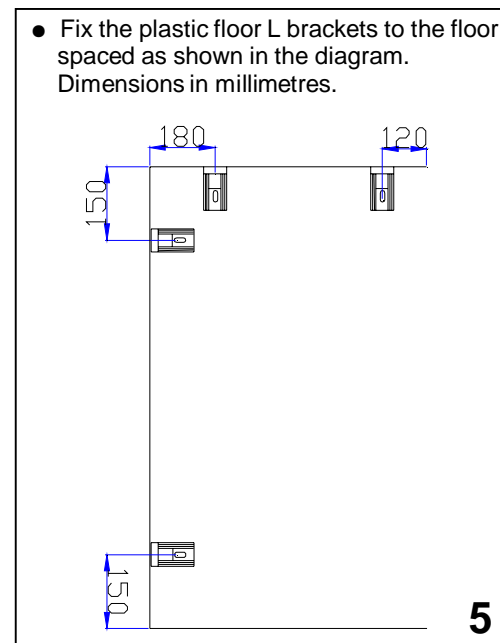
a

Line 1

ST4 *25mm

4

- Fix the plastic floor L brackets to the floor spaced as shown in the diagram. Dimensions in millimetres.



180

120

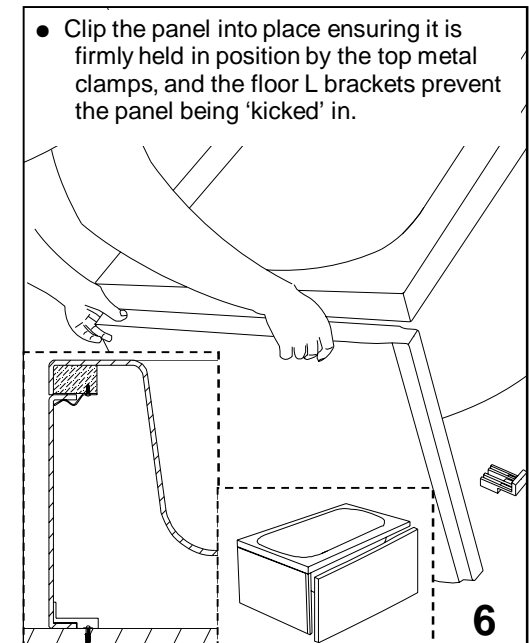
150

150

Line 1

5

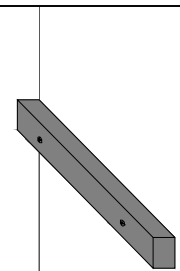
- Clip the panel into place ensuring it is firmly held in position by the top metal clamps, and the floor L brackets prevent the panel being 'kicked' in.



6

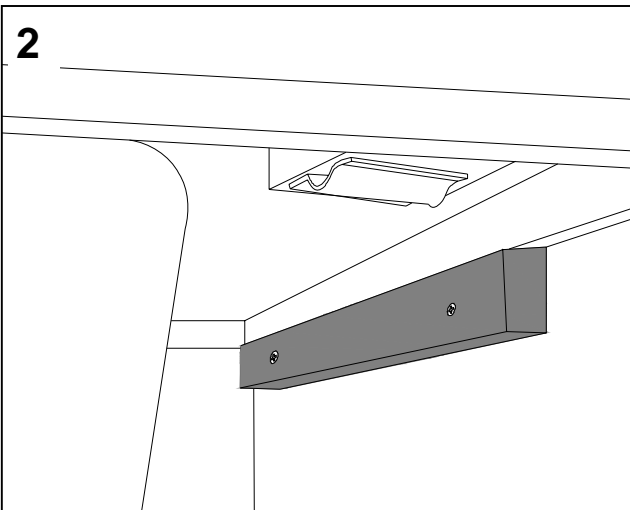
- Place the bath in position to determine height, water and soil requirements.

1



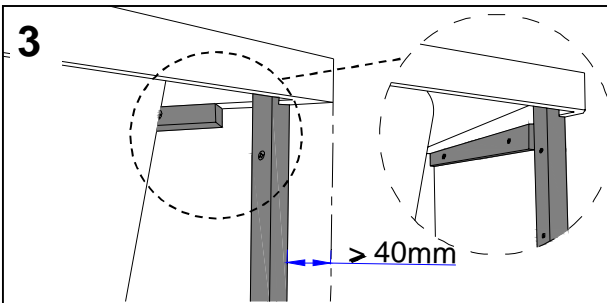
- Screw a batten of 2" by 1" treated timber to the wall horizontally 2 mm below the final resting point of the rim. This will support the rim while allowing some movement which will occur when the bath is filled with water.

2



- Place the bath back into position. Attach all water and waste connections.

3

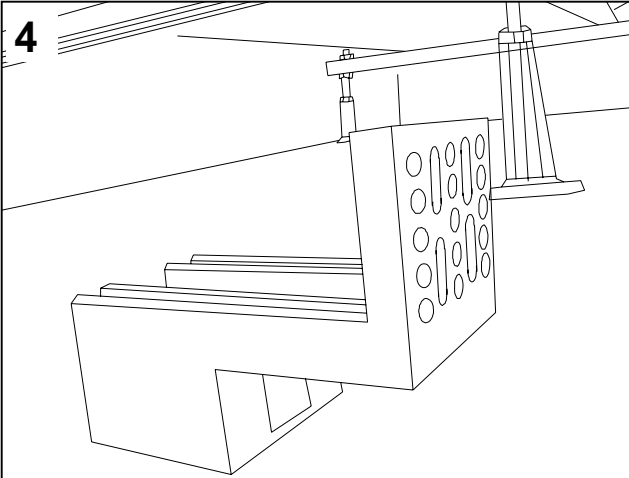


- Screw another 2" by 1" treated timber batten vertically onto the wall, clamping the bath to the wall. This batten should be at least 40mm in from the corner of the bath. This batten will provide additional rim support. This should be done on both corners to securely hold the bath in place.

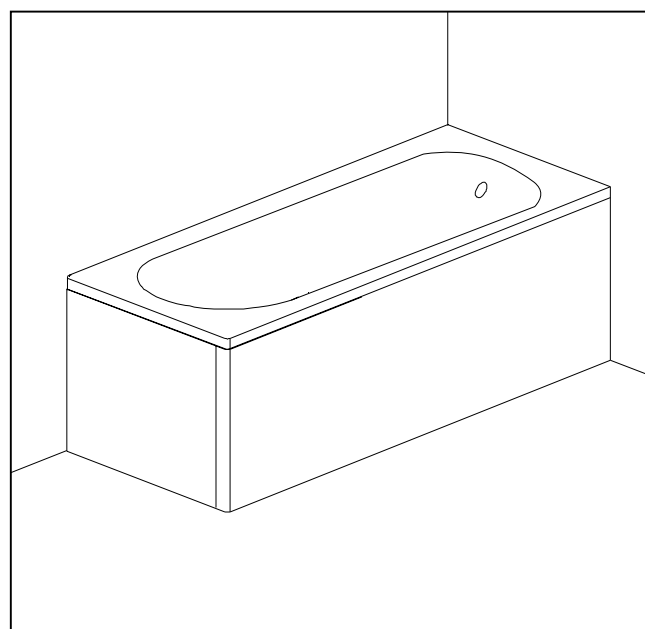
'Acrylic baths will flex when filled with water, so it is important that your bath is installed to allow for some movement.

The weight of the bath should be taken by the feet and not battens. Battens are a good way of supporting the rim of a bath, but can cause stress points. They should not be physically attached to the blocks underneath the bath, and ideally there should be a small gap between the blocks and battens.

4



- When installing the bath panels, remember to install the floor fixed L brackets so as to prevent the bottom of the panel being 'kicked' in. See section 4, 5 and 6 on previous page.



Care And Maintenance

If cared for well your new bath will last for many years. Here are some do's and don'ts (please leave with the end user):

- Do: Keep it clean using a mild detergent and a soft cloth
- Don't: Use harsh chemicals or abrasive cleaners
- Do: Repair scratches using a bath rubber or acrylic repair system
- Don't: Allow hair dyes or other colourants to come into contact with the bath
- Don't: Use the rim of the bath as a step, it can be dangerous, and could damage the bath.