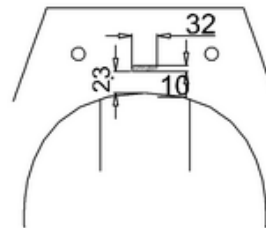
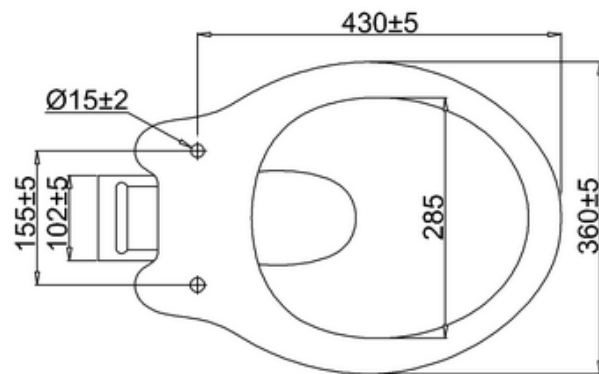




bathstore

20005000250 - Savoy Low/High Level PAN



Remark:

- 1: Flatness of installation surface: 0-2mm
- 2: Flatness of whole surface: 0-5mm
- 3: Depth of water seal: Min 50
- 4: Spigot length: Min.40
- 5: Height difference between left and right: 0-6
- 6: Height difference between seat hole and front rim: 0-6
- 7: From seat hole to front rim;
For the top control as 2mm;
For the bottom as 6mm
- 8: Oblique of the logo : d1.5mm

