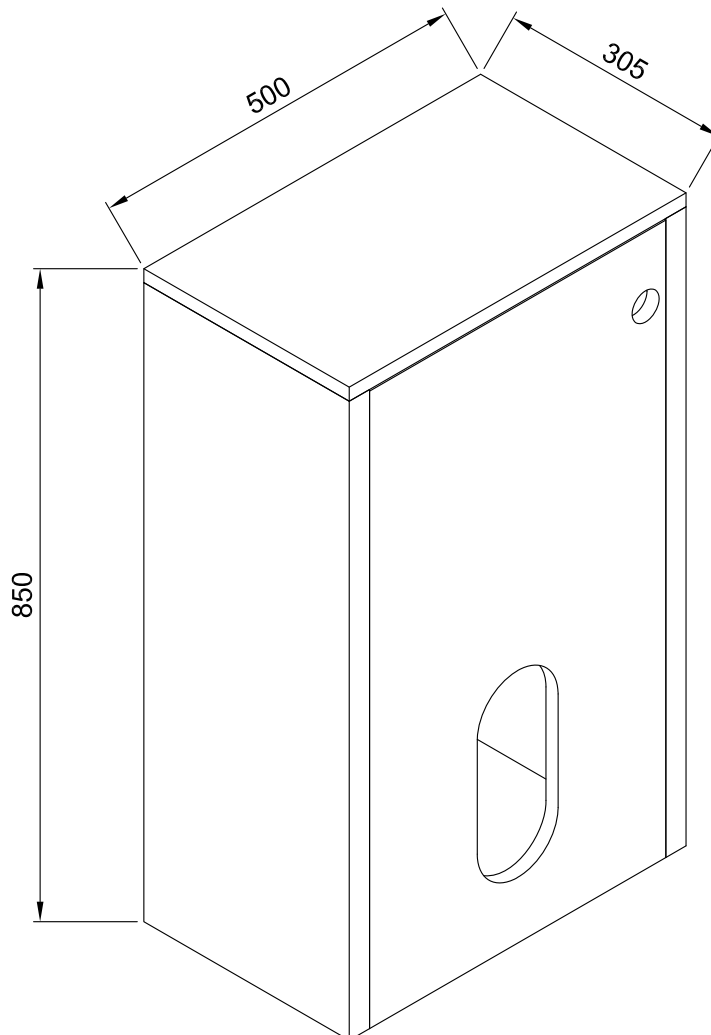


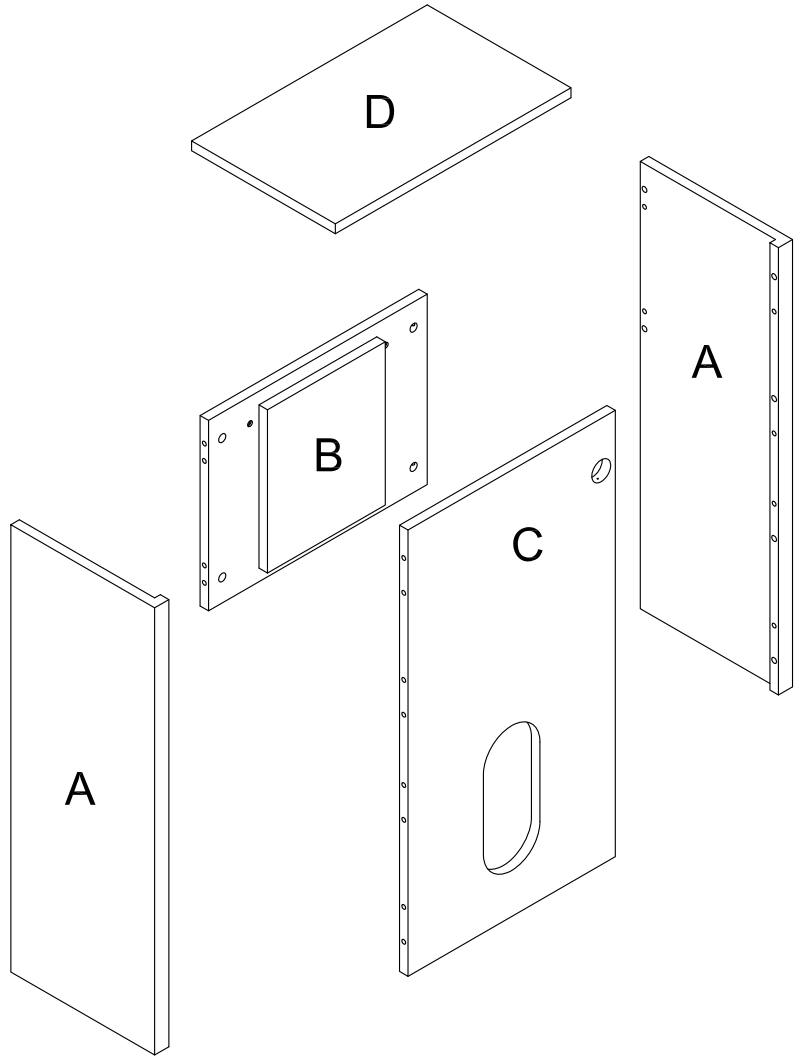
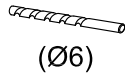
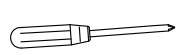
OpenSpace™ 305 Deep WC Unit Excluding Concealed Cistern Assembly Instructions 20050070640





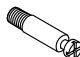

Care and Maintenance : Please leave with the householder

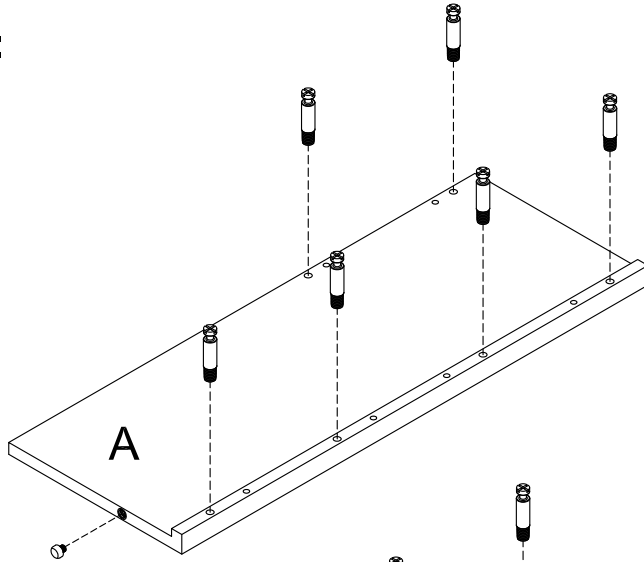
This furniture is made of wood, and has a water resistant finish. It should not be left wet, and the quality of the finish is best maintained if it is wiped with a dry cloth after use. It should only be cleaned using a soft damp cloth followed by a dry cloth. Do not use bleach or any abrasive cleaner.





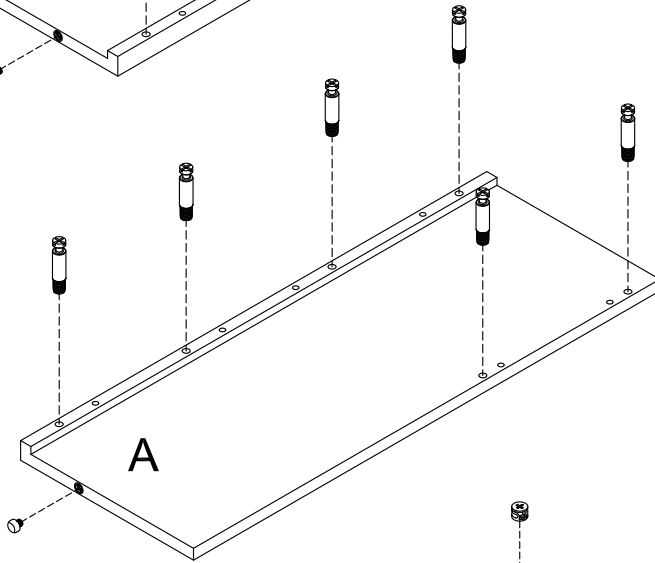
Width 500mm
Depth 305mm
Height 850mm


TOOLS REQUIRED:


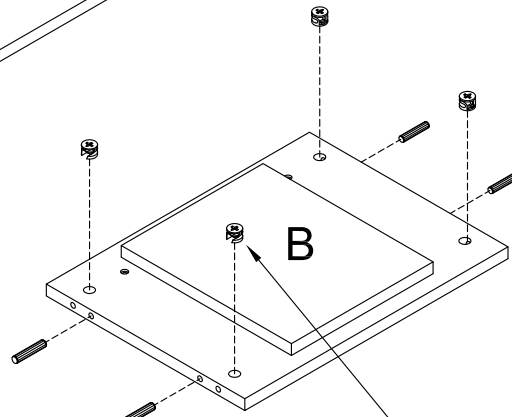
CODE	SIZE(mm)	QTY	CODE	DIAGRAM	QTY	CODE	DIAGRAM	QTY
A	822x305x30	2	E		12	I		2
B	464x350x36	1	F		12	J		2
C	820x440x18	1	G		12			
D	305x500x30	1	H		2			



Step 1:


CODE	SIZE/DIAGRAM	QTY
A	822x305x30	x1
G		x6
J		x1

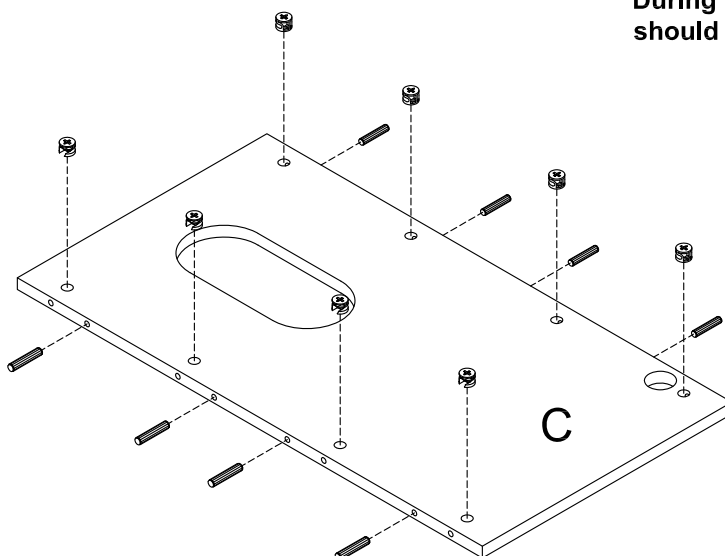
Step 2:



CODE	SIZE/DIAGRAM	QTY
A	822x305x30	x1
G		x6
J		x1

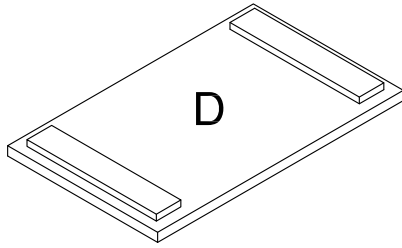
Step 3:


CODE	SIZE/DIAGRAM	QTY
B	464x350x36	x1
E		x4
F		x4

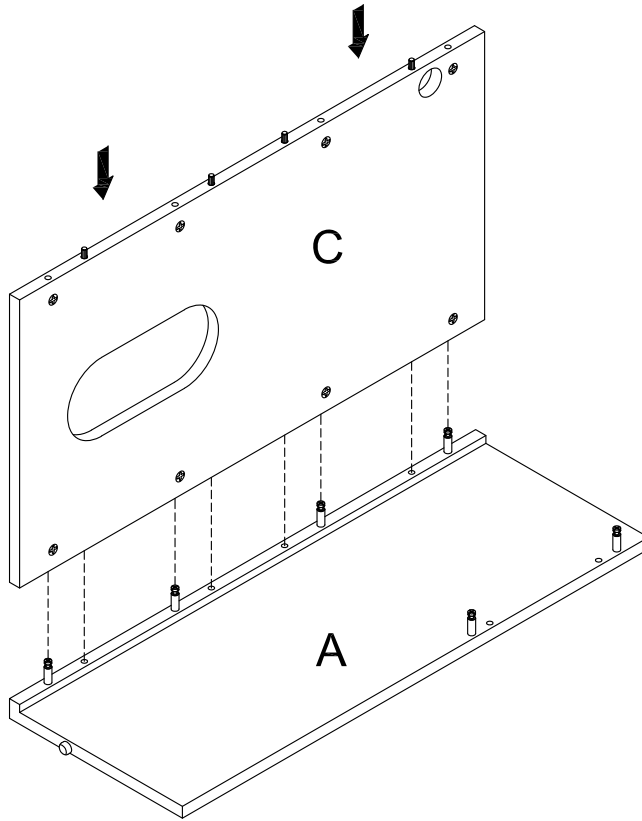
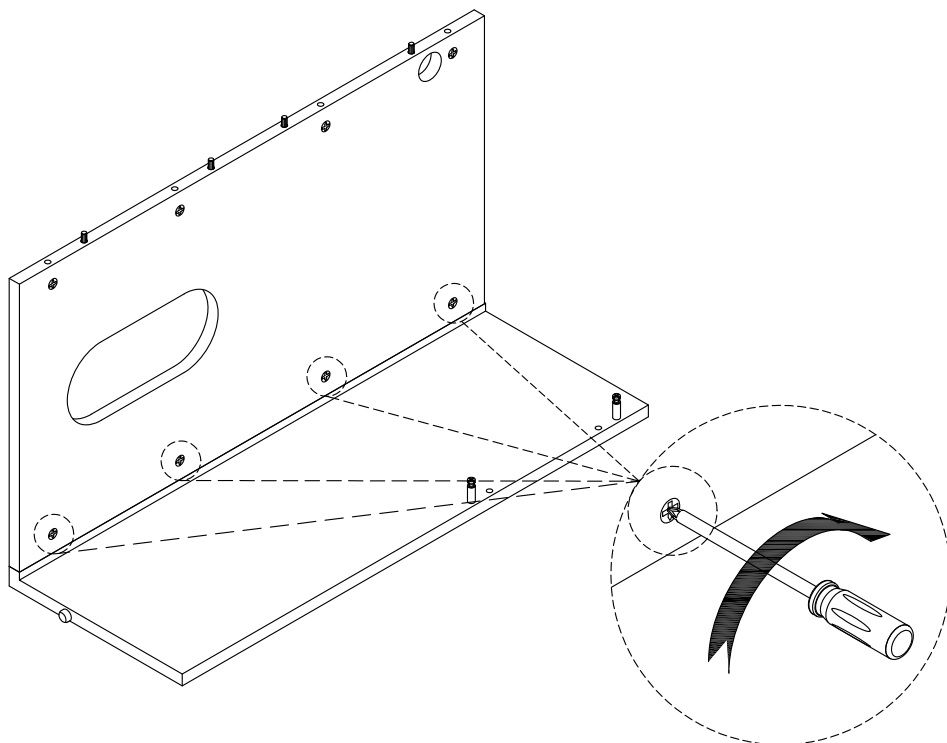
During assembly, the arrow stamped on part (F) should point towards the screw hole.

Step 4:


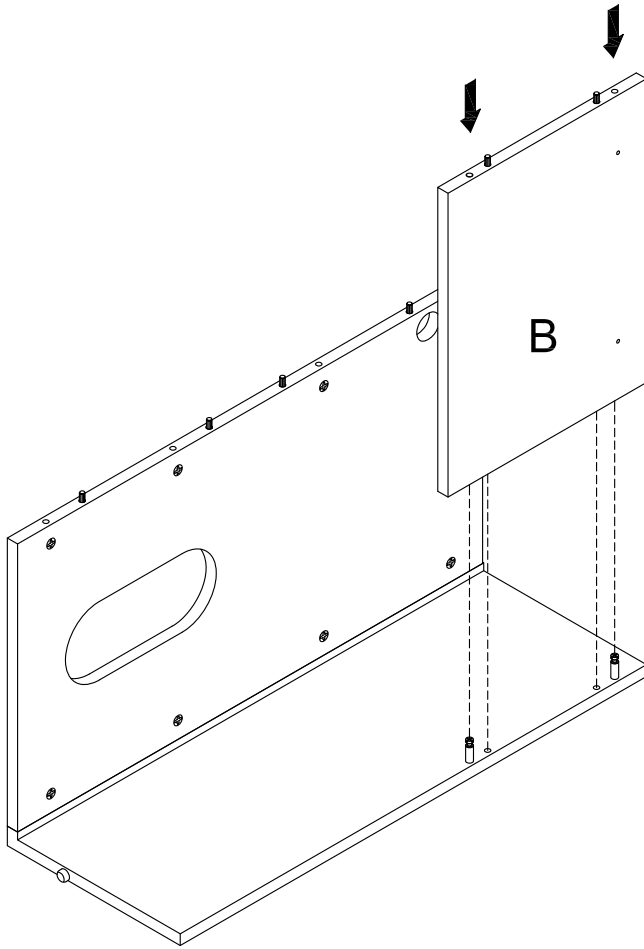
CODE	SIZE/DIAGRAM	QTY
C	820x440x18	x1
E		x8
F		x8

Step 5:


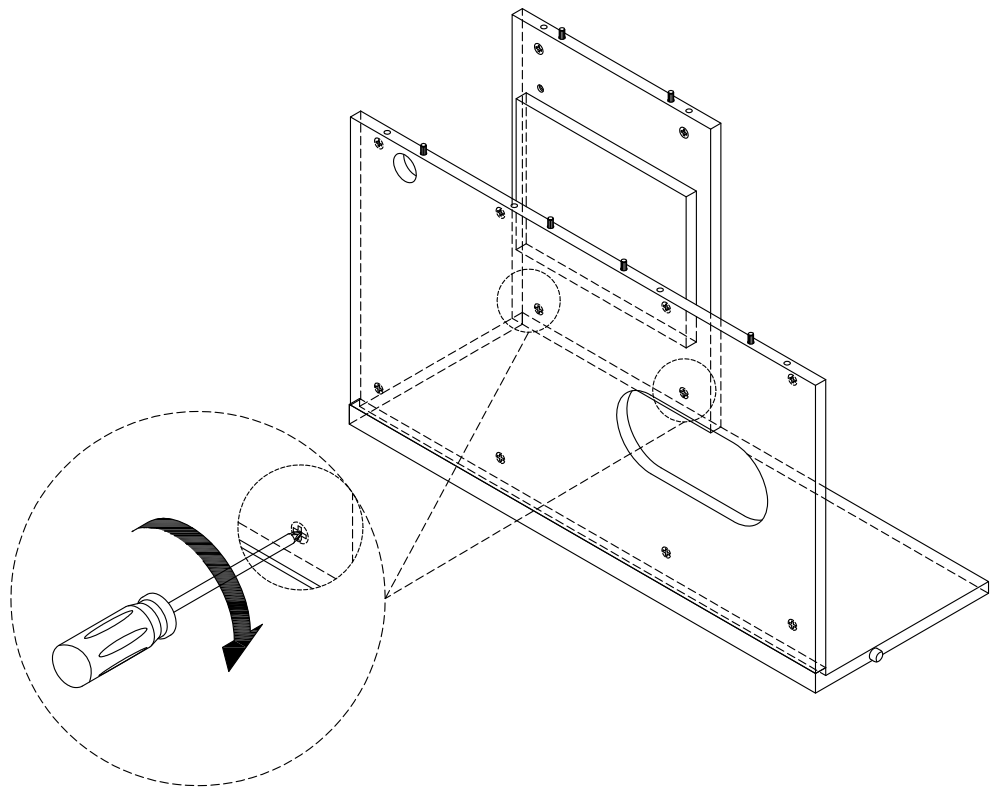
CODE	SIZE/DIAGRAM	QTY
D	305x500x30	x1

Step 6:

Step 7:


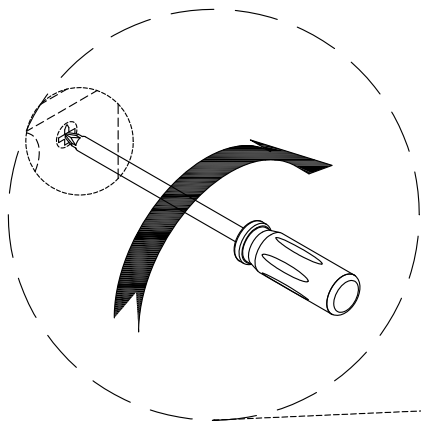
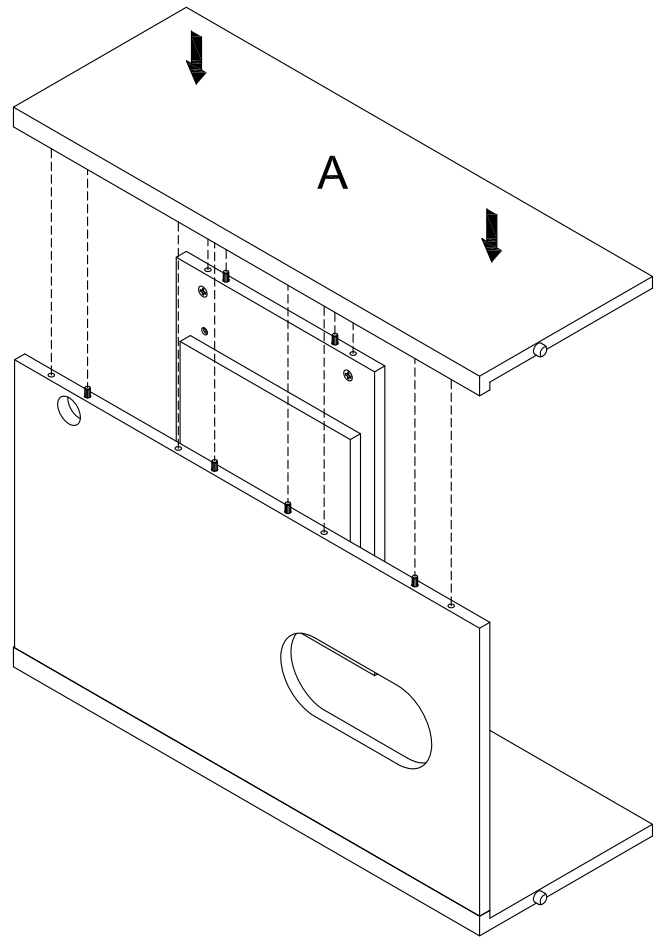
Step 8:



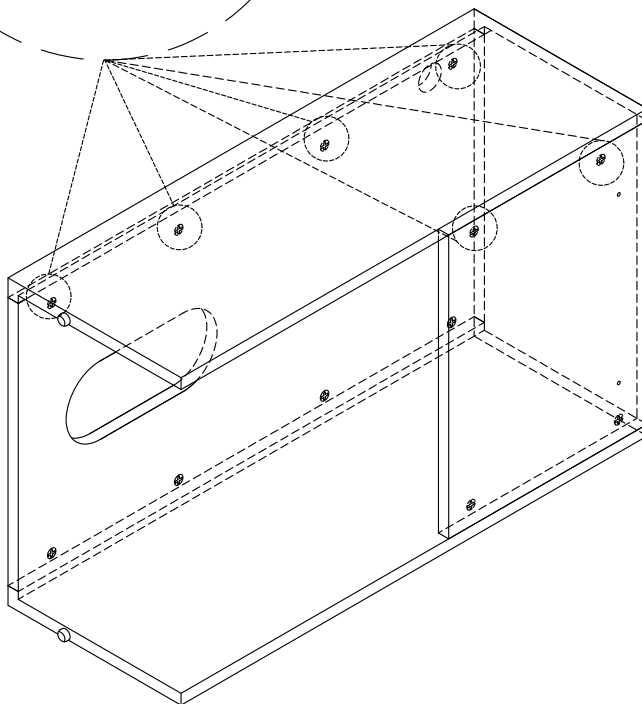
Step 9:



Step 10:

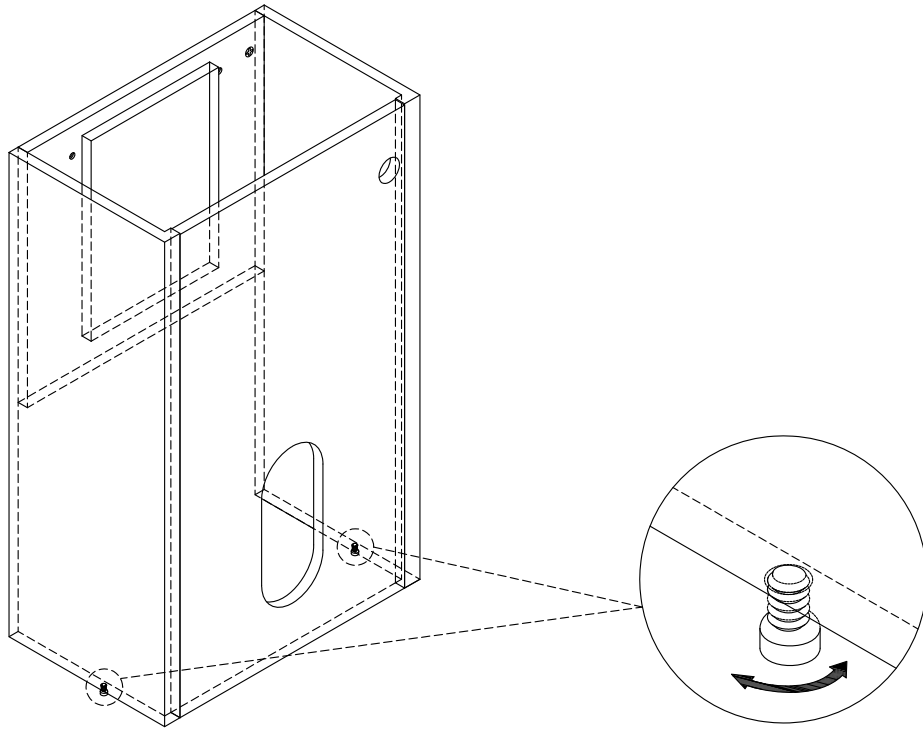


Step 11:



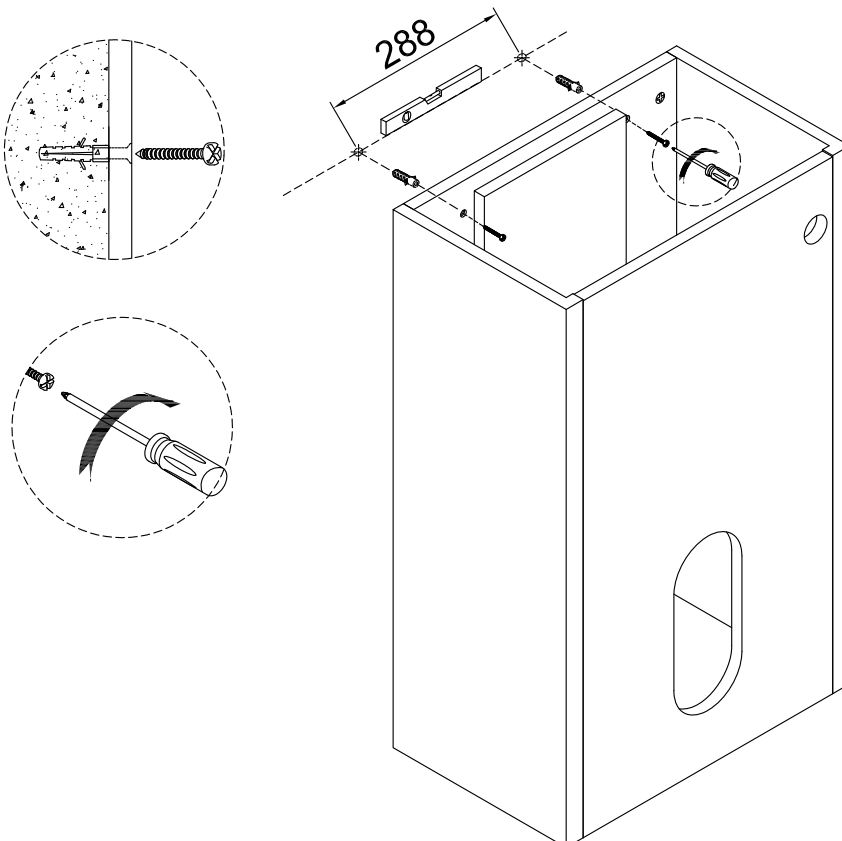
Step 12:



Place the unit in position against the wall. Raise or lower height adjusters (J) to level and achieve desired height at the front.

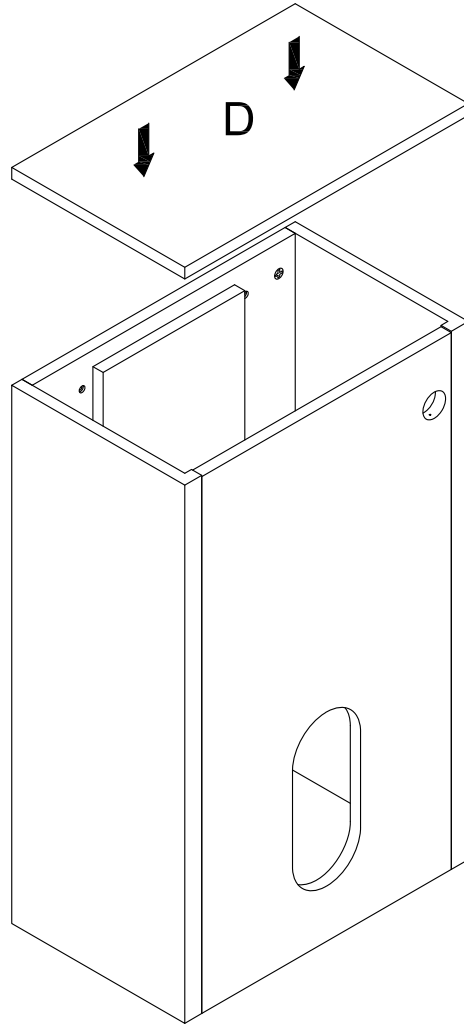


Step 13:

Ensure that the top is horizontal before marking the wall for fixing. The wall fixings supplied may not be suitable for your installation. You may need to source alternatives depending on the material and strength of the wall you are fixing to.



CODE	SIZE/DIAGRAM	QTY
H		x2
I		x2

Step 14:**Step 15:**

It may be necessary to cut the soil pipe void to increase the size of the hole for certain models of back to wall pan. If this is done then all cut surfaces should be sealed so as to avoid any moisture penetration.

