



OpenSpace™ 600 Mirror Wall Cabinet Assembly Instructions

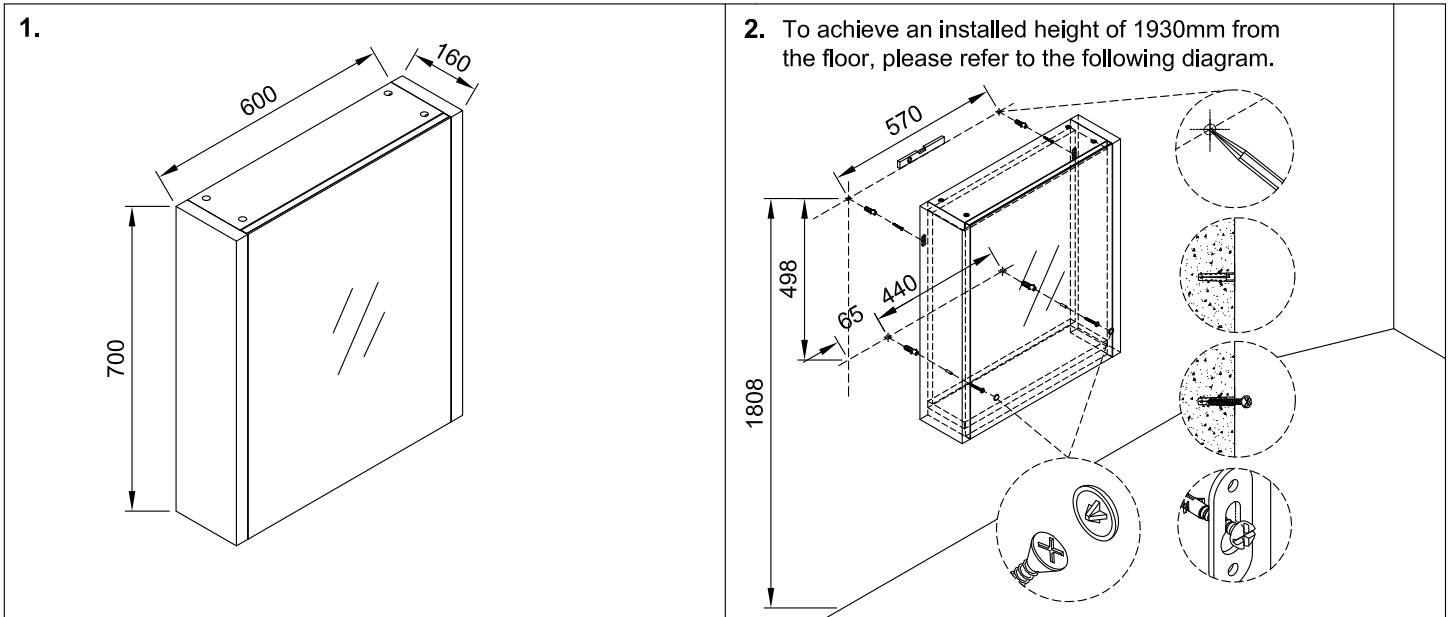
20050070770

IMPORTANT: This unit must be securely fixed to a wall. Ensure that the top is horizontal before marking the wall for fixing. The wall fixings supplied may not be suitable for your installation. You may need to source alternatives depending on the material and strength of the wall you are fixing to.

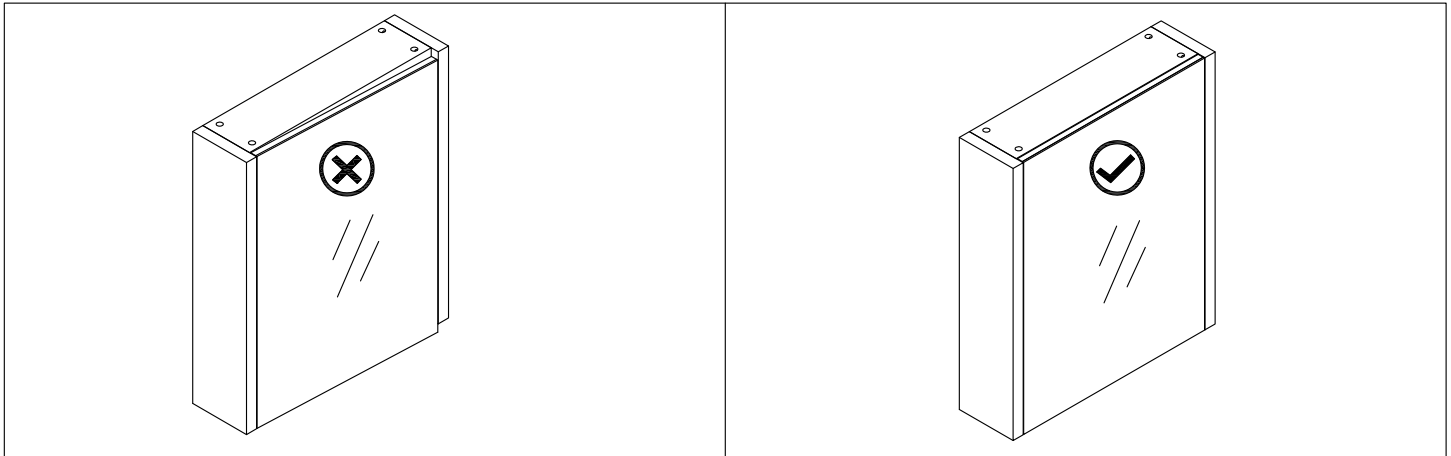
Care and Maintenance : Please leave with the householder

This furniture is made of wood, and has a water resistant finish. It should not be left wet, and the quality of the finish is best maintained if it is wiped with a dry cloth after use. It should only be cleaned using a soft damp cloth followed by a dry cloth. Do not use bleach or any abrasive cleaner.

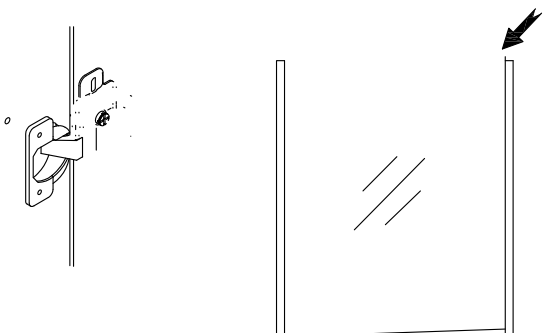
PARTS SUPPLIED:  4x  2x  2x  2x	TOOLS REQUIRED:  (Ø6)   
--	---



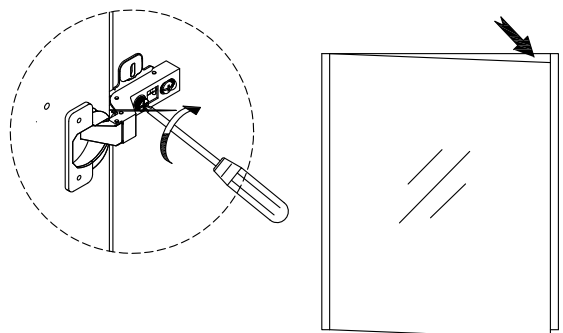
Door Adjustment



Anti-Clockwise adjustment lifts the far top corner.



Clockwise adjustment drops the far top corner.



Care and maintenance - Looking after your Bathstore mirror

If water gets between the glass and the silver backing of a mirror dark patches can form. The edges of all our mirrors are sealed to prevent this from happening. This seal can be damaged and the following guidelines should be followed to ensure your mirror's longevity.

- 1) The best and safest cleaner for a mirror is warm water used with a soft, lint-free cloth. Wring all water from the cloth before wiping the mirror. Dry the mirror immediately with another dry lint-free cloth.
- 2) Don't use acid or alkali cleaners. Either substance can attack the front surface and edges as well as the backing of the mirror. Abrasive cleaners should never be used on any mirror surface as these can scratch and damage the edge sealer.
- 3) Don't spray cleaners directly on the mirror. Always apply cleaner directly to a soft, lint-free cloth and then wipe the mirror. No preparatory cleaner should be in contact with the edges of the mirror as these can damage the edge seal and cause water damage.
- 4) When cleaning several mirrors installed next to each other, wipe the joints in the same direction as the joints. This will keep the cleaner from collecting in the area where the mirrors join.
- 5) Don't use commercial mirror cleaners that contain ammonia or vinegar.
- 6) The last step to cleaning a mirror is to make sure all joints and edges are dry so that no liquid or cleaner comes into contact with the edges and backing.