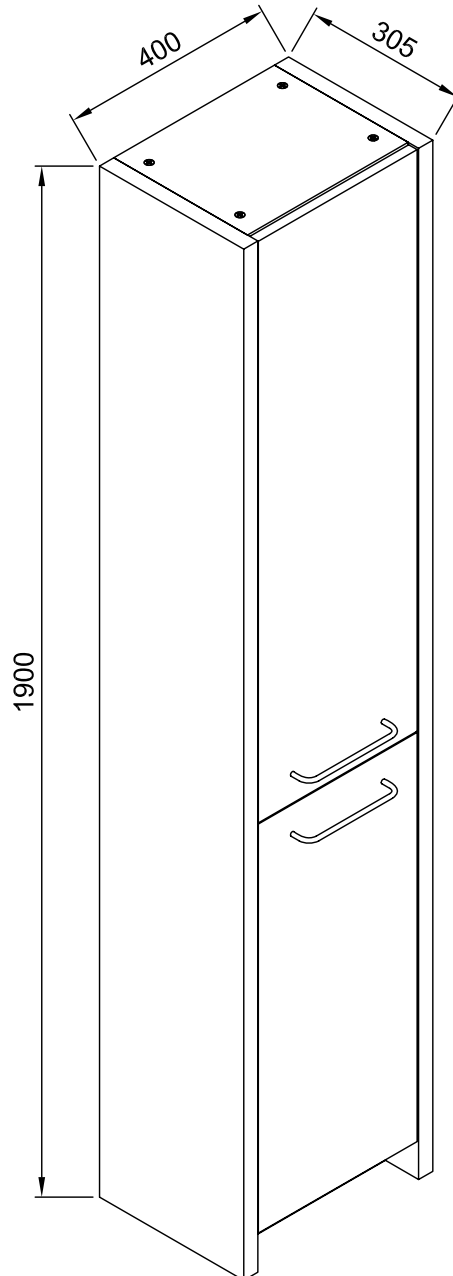
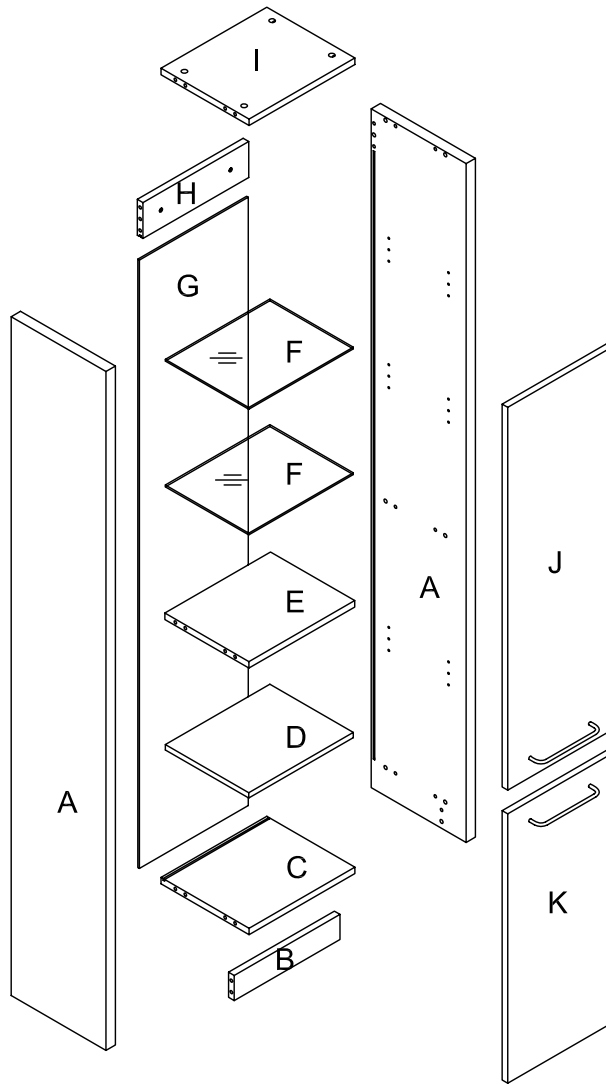













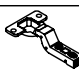



OpenSpace™ 305 Tall Storage Unit Assembly Instructions

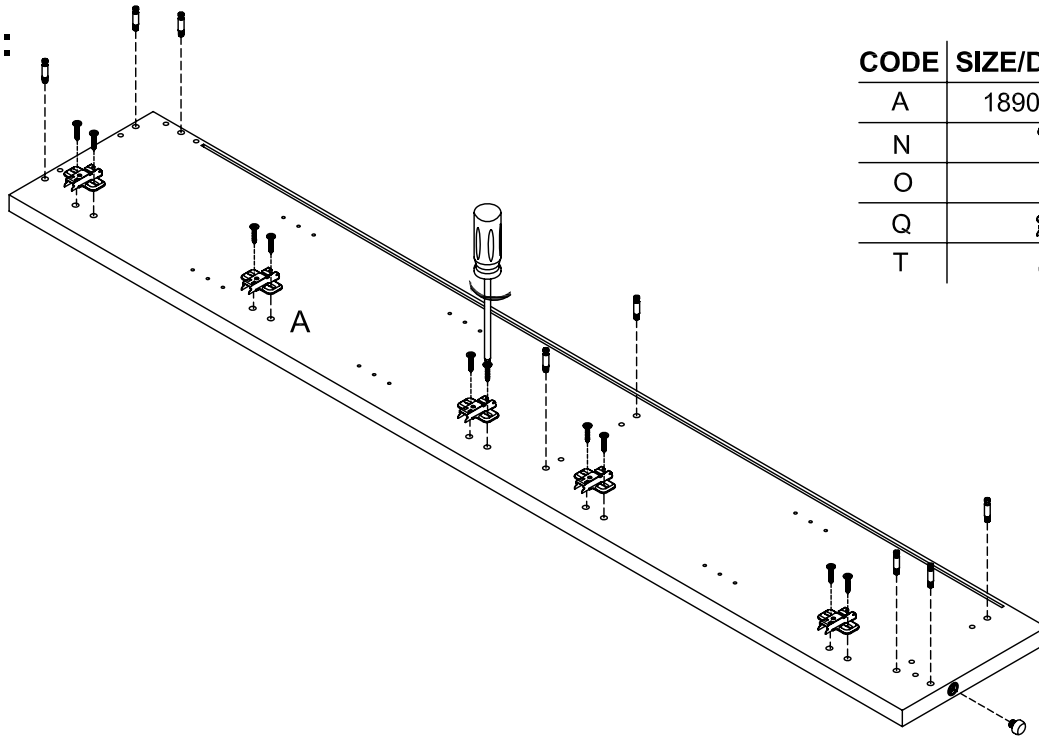
20050070690







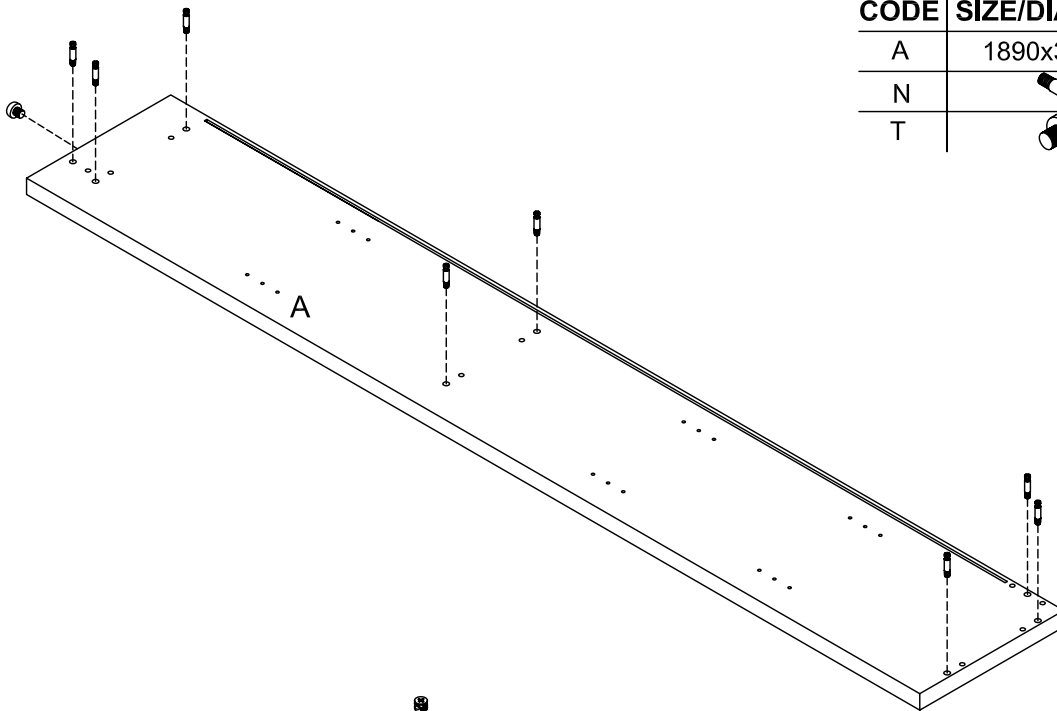
Width 400mm
Depth 305mm
Height 1900mm



TOOLS REQUIRED:


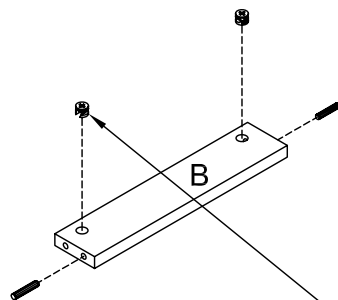
CODE	SIZE(mm)	QTY	CODE	SIZE(mm)	QTY	CODE	DIAGRAM	QTY
A	1890x305x30	2	J	1068x336x18	1	R		2
B	340x69x15	1	K	750x336x18	1	S		2
C	340x283x18	1	CODE	DIAGRAM	QTY	T		2
D	336x268x15	1	L		18	U		12
E	340x270.5x18	1	M		16	V		8
F	336x268x5	2	N		16	W		2
G	1693x350x5	1	O		20	X		4
H	340x100x18	1	P		5	Y		4
I	340x283x18	1	Q		5	Z		2



Step 1:


CODE	SIZE/DIAGRAM	QTY
A	1890x305x30	x1
N		x8
O		x10
Q		x5
T		x1

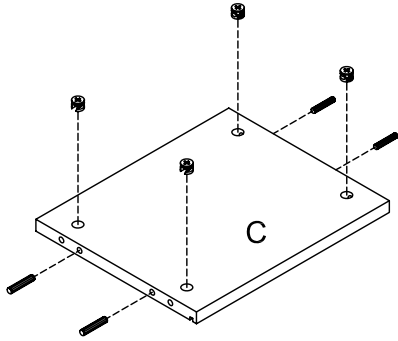
Step 2:




CODE	SIZE/DIAGRAM	QTY
A	1890x305x30	x1
N		x8
T		x1

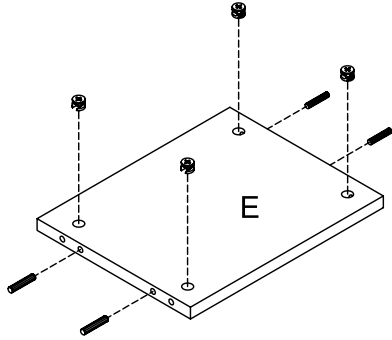
Step 3:




CODE	SIZE/DIAGRAM	QTY
B	340x69x15	x1
L		x2
M		x2

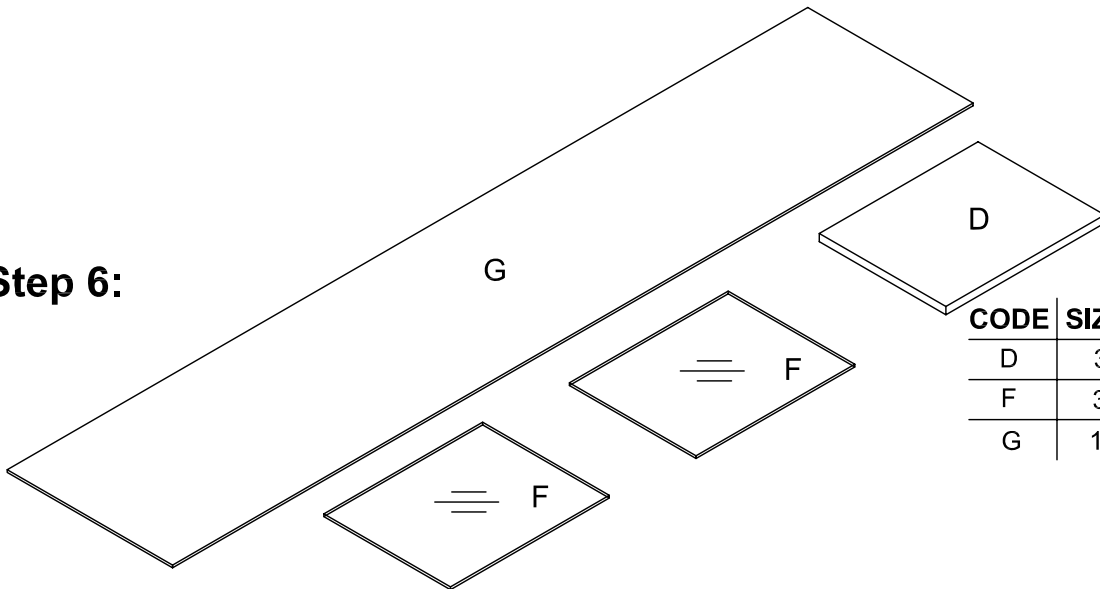
During assembly, the arrow stamped on part (M) should point towards the screw hole.

Step 4:


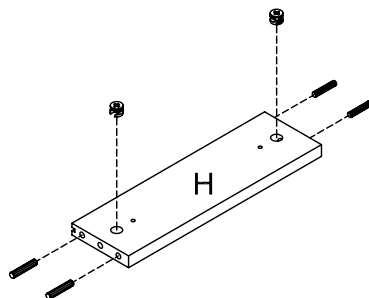
CODE	SIZE/DIAGRAM	QTY
C	340x283x18	x1
L		x4
M		x4



Step 5:


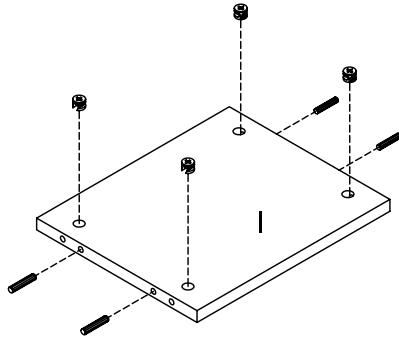
CODE	SIZE/DIAGRAM	QTY
E	340x270.5x18	x1
L		x4
M		x4



Step 6:


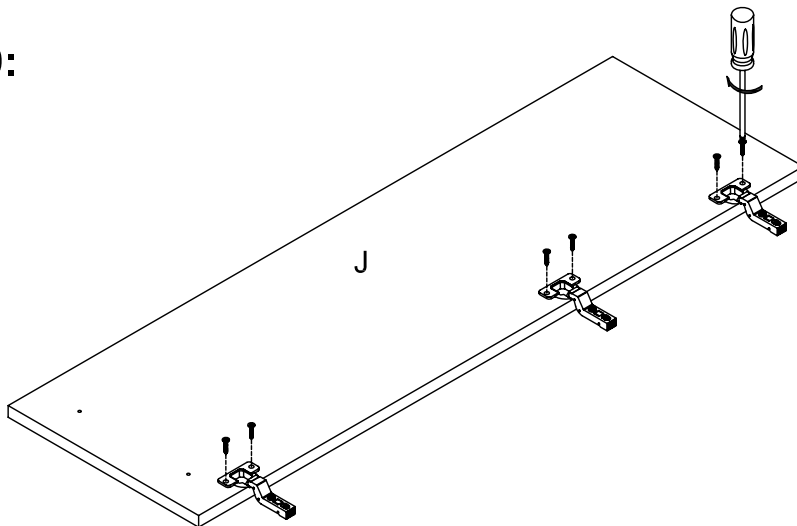
CODE	SIZE/DIAGRAM	QTY
D	336x268x15	x1
F	336x268x5	x2
G	1693x350x5	x1



Step 7:


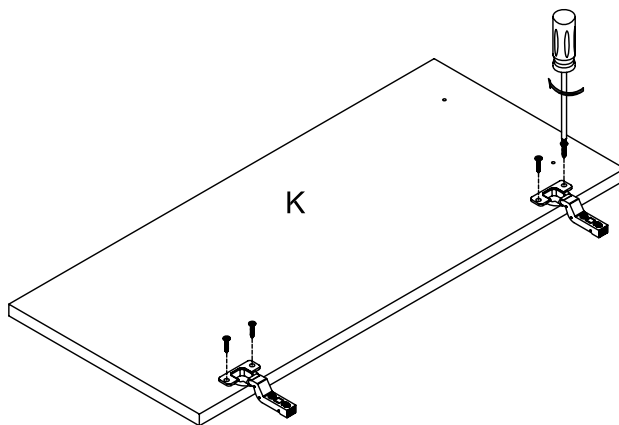
CODE	SIZE/DIAGRAM	QTY
H	339x100x18	x1
L		x4
M		x2



Step 8:


CODE	SIZE/DIAGRAM	QTY
I	340x283x18	x1
L		x4
M		x4

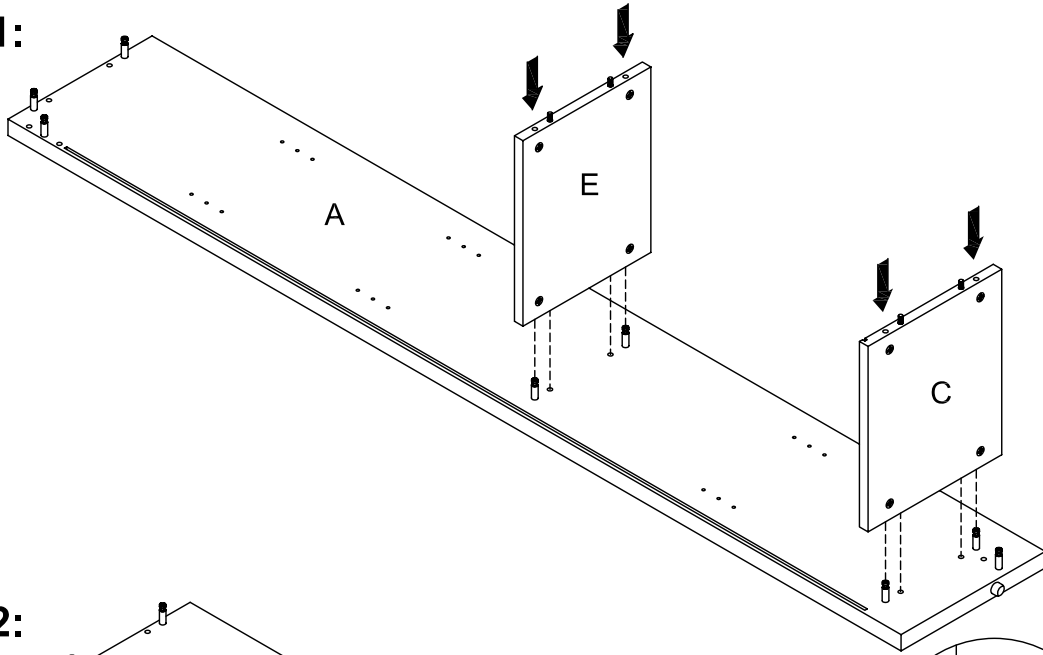
Step 9:


CODE	SIZE/DIAGRAM	QTY
J	1068x336x18	x1
O		x6
P		x3

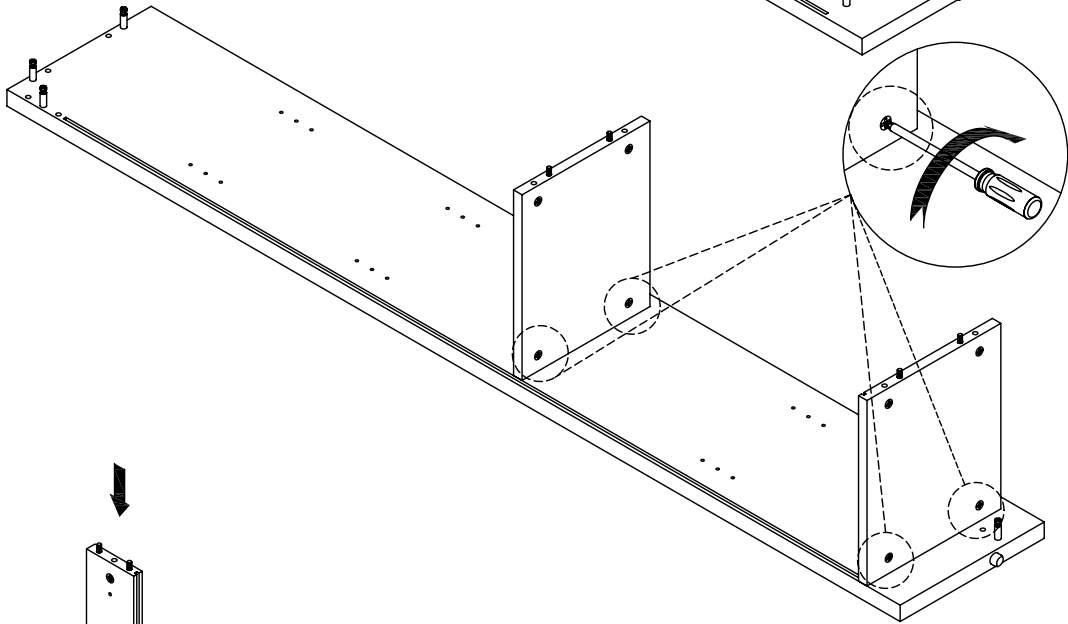
Step 10:


CODE	SIZE/DIAGRAM	QTY
K	750x336x18	x1
O		x4
P		x2

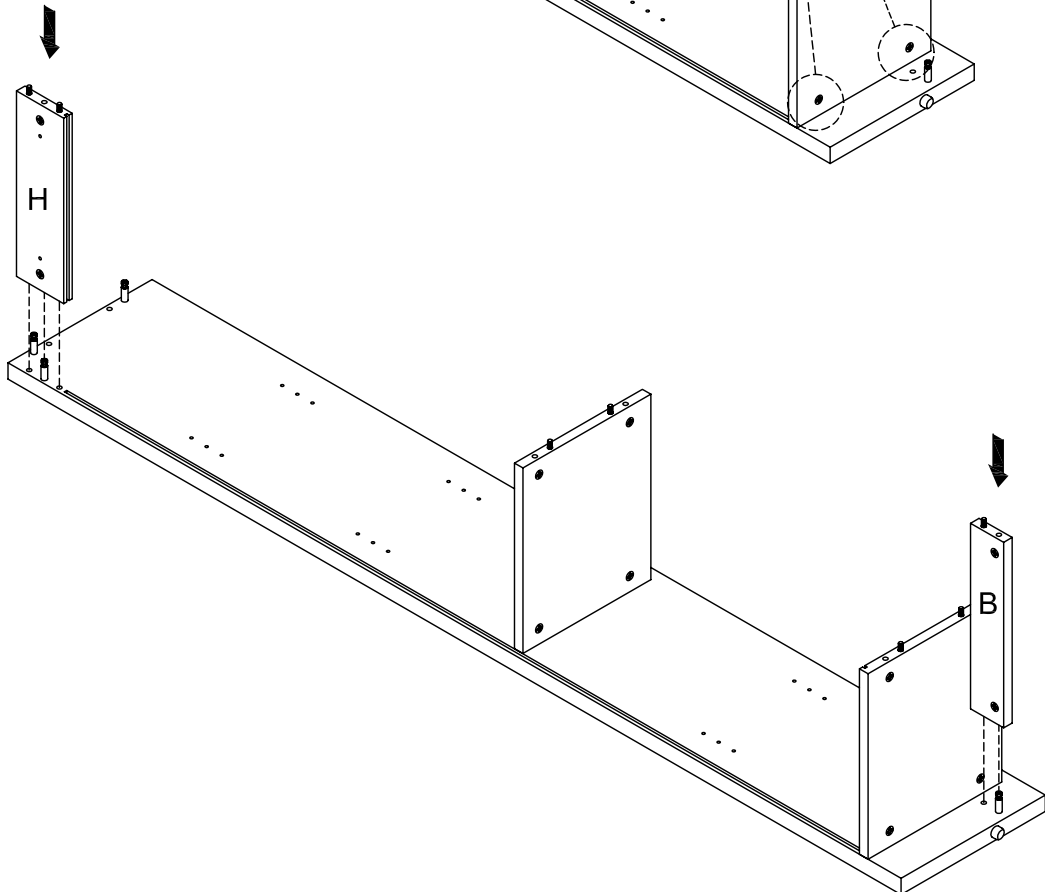
Step 11:



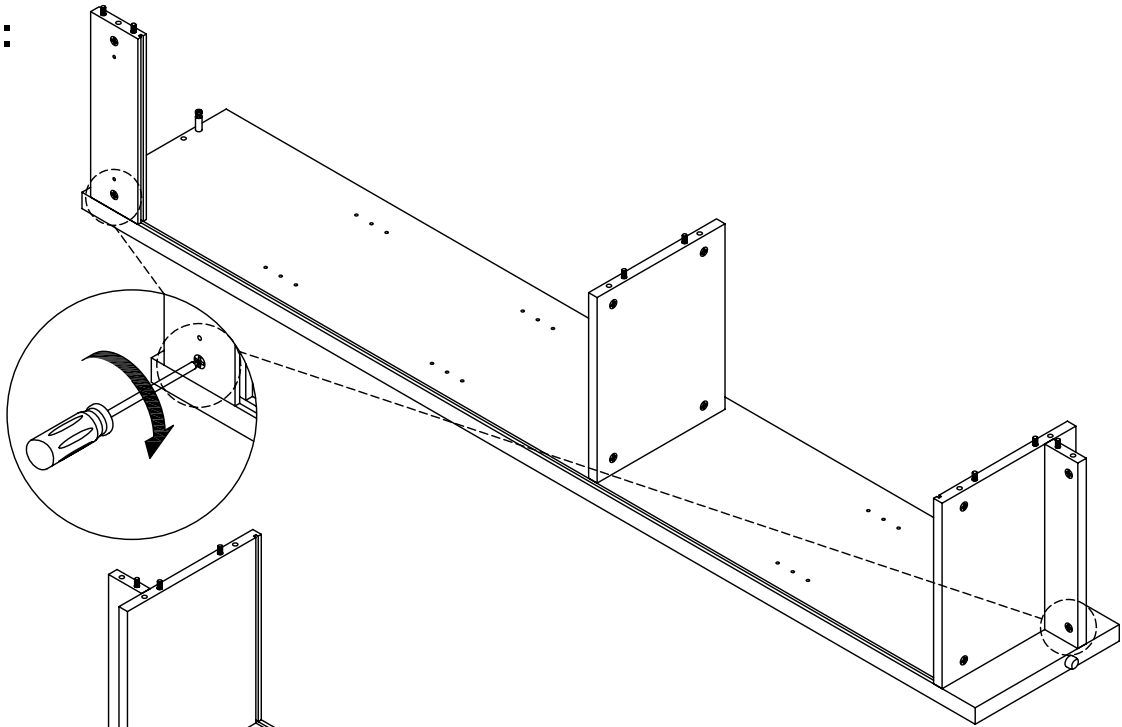
Step 12:



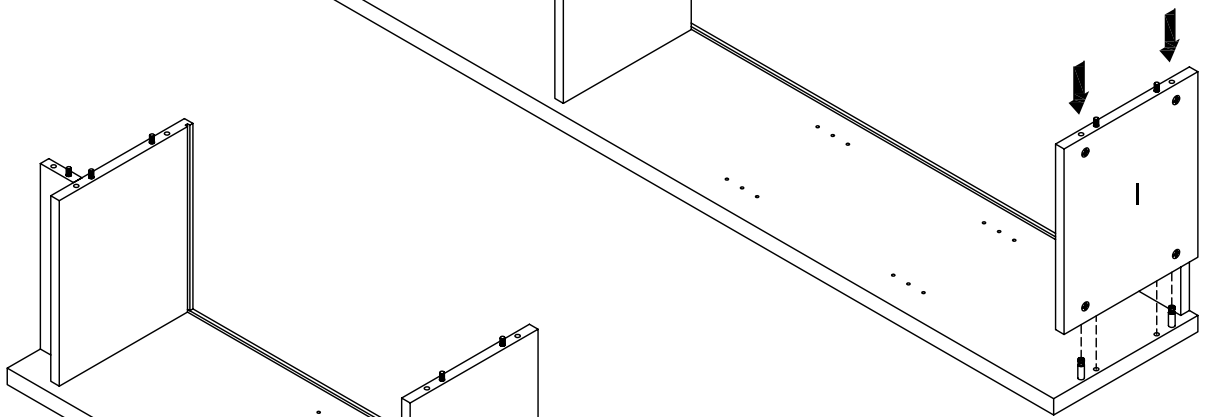
Step 13:



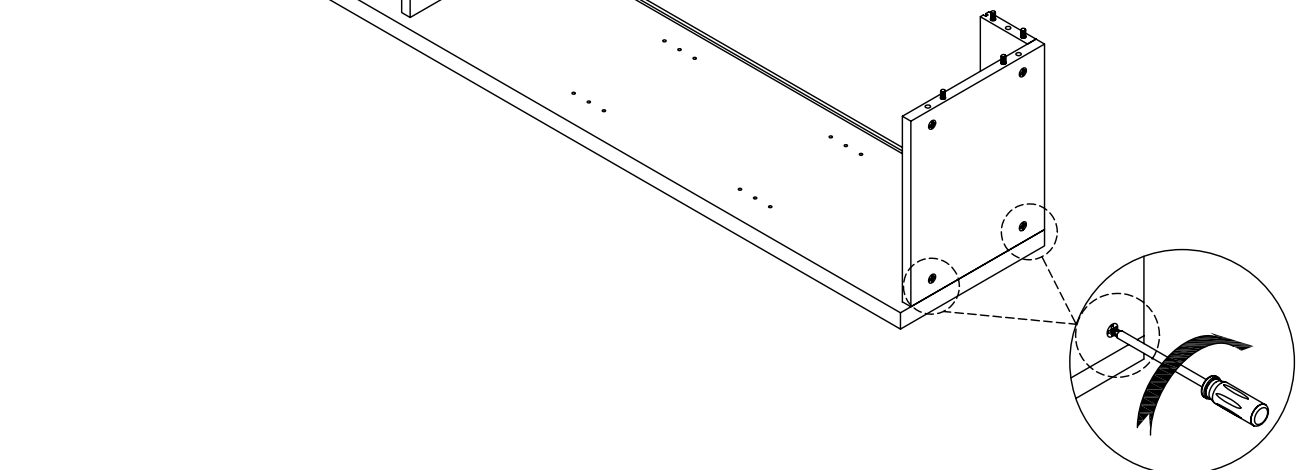
Step 14:



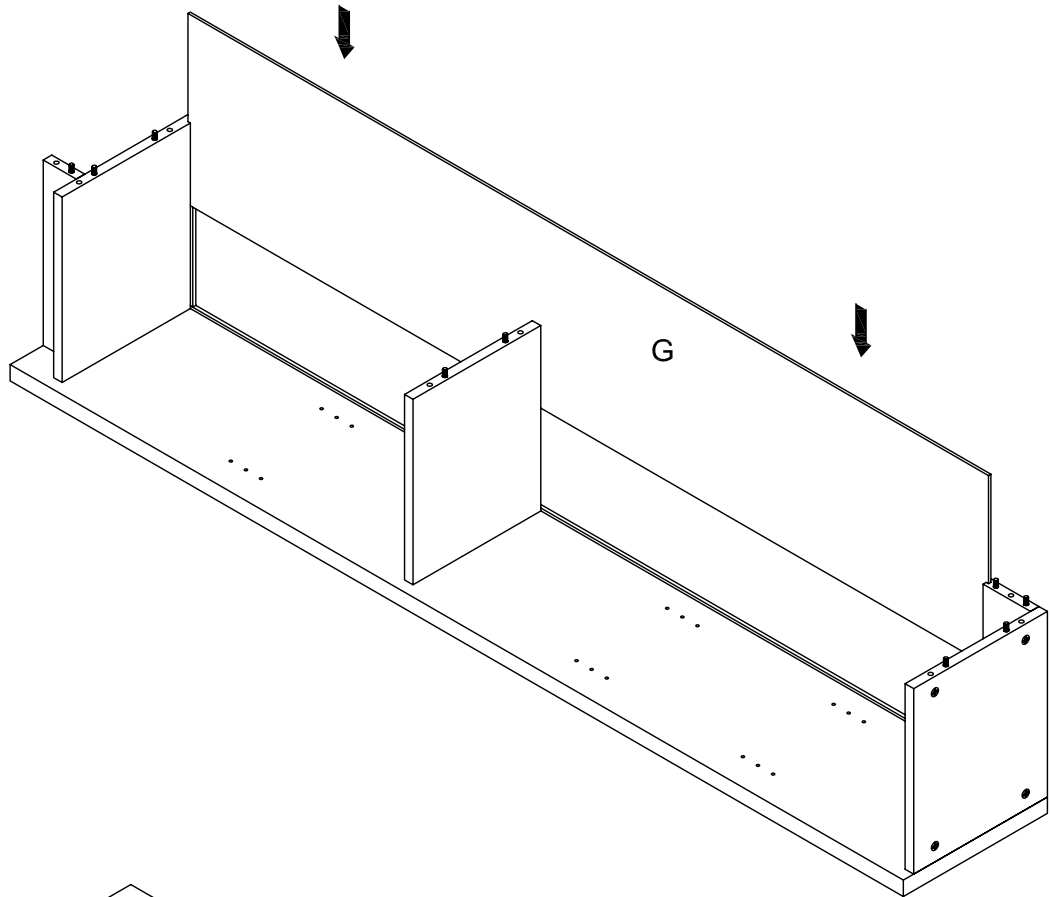
Step 15:



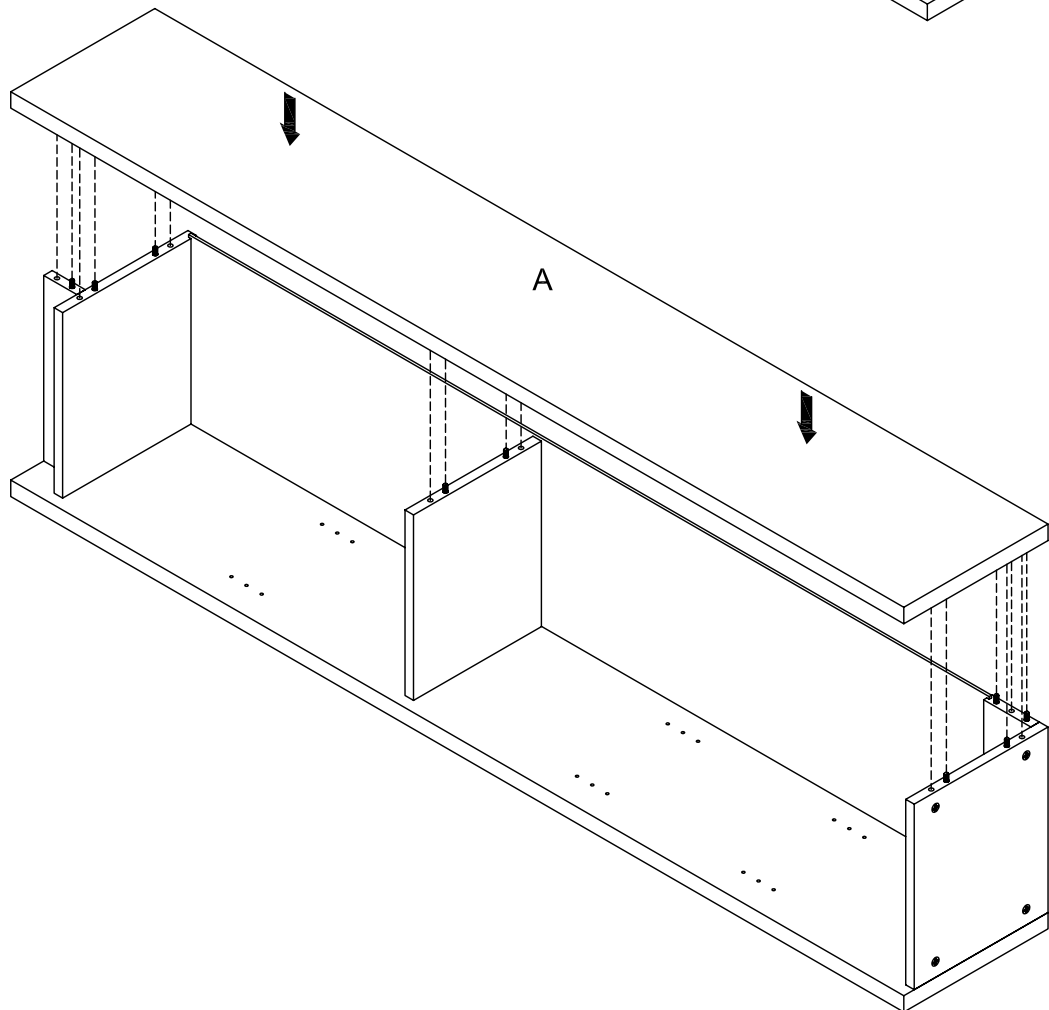
Step 16:



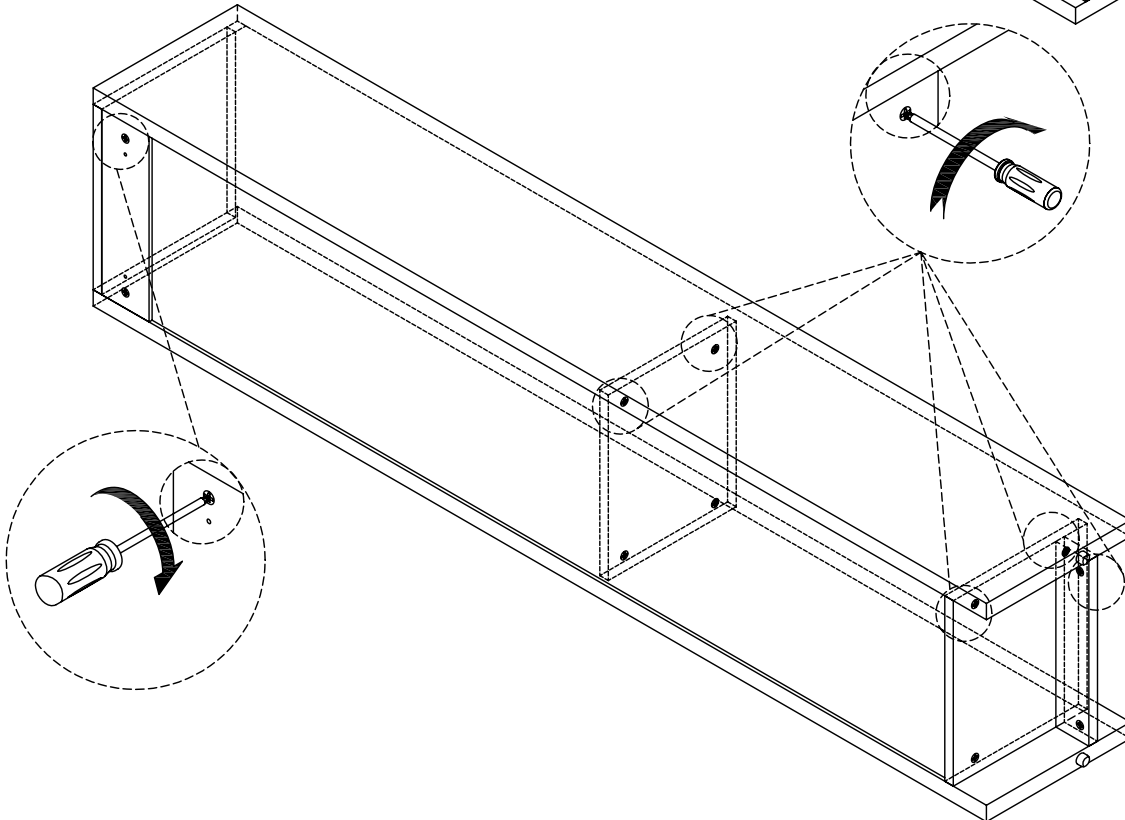
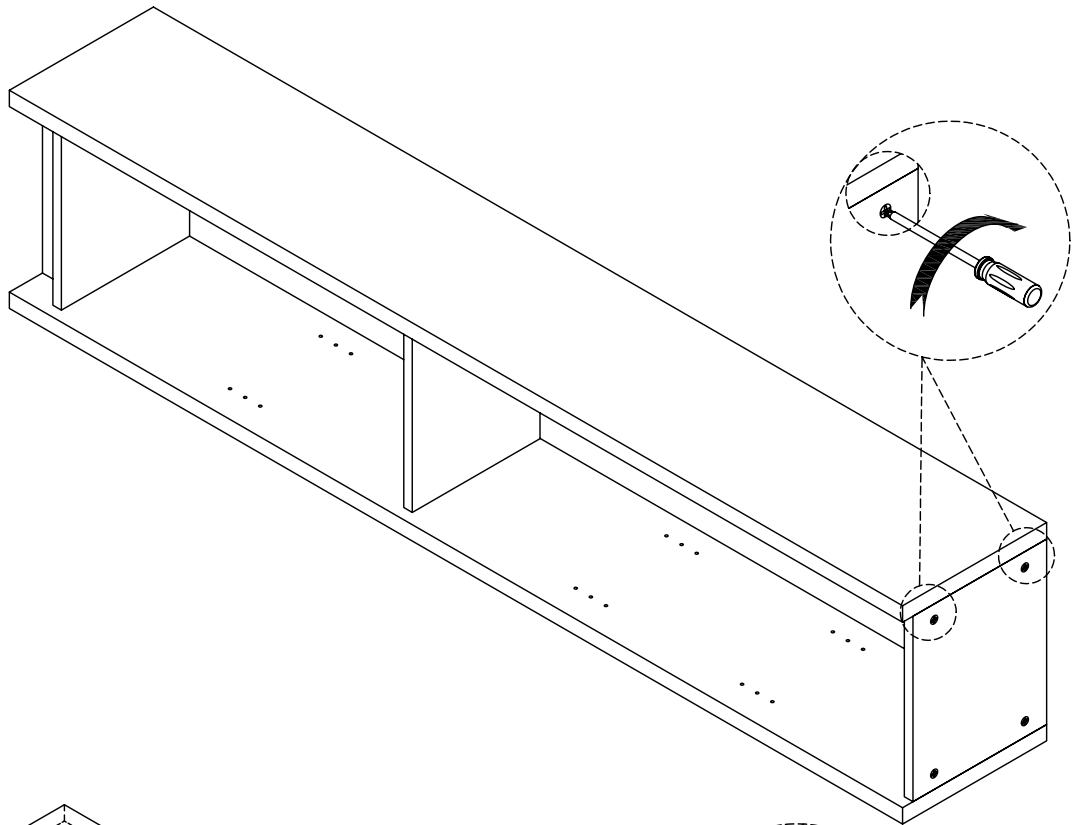
Step 17:

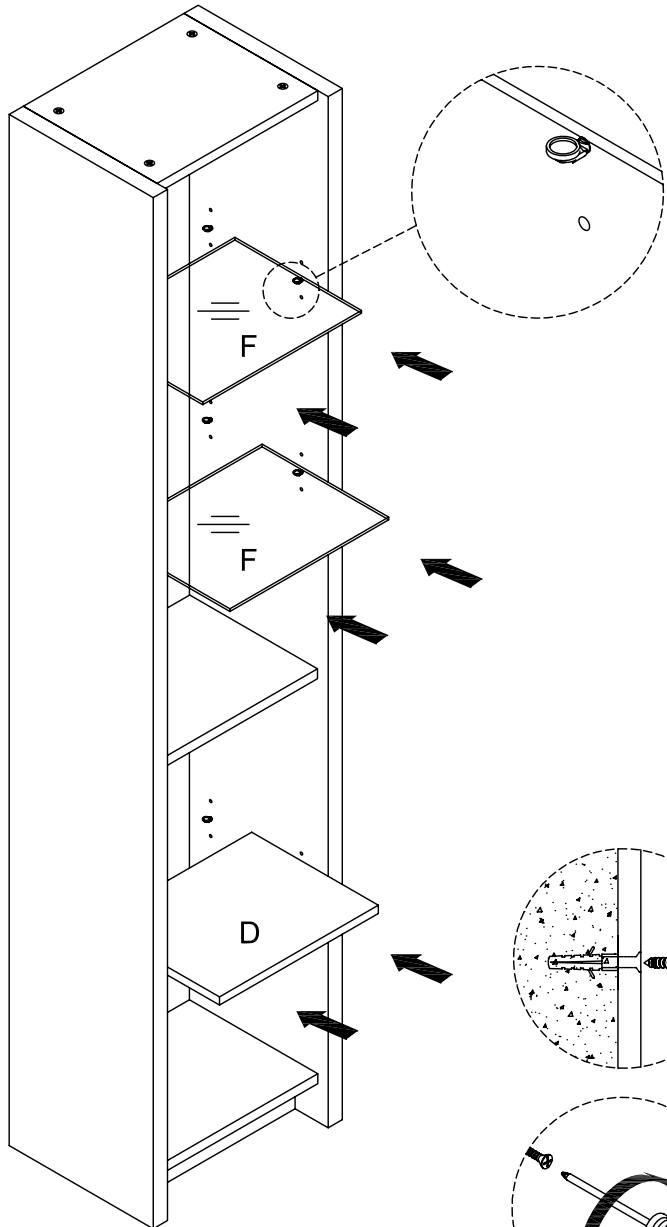


Step 18:



Step 19:






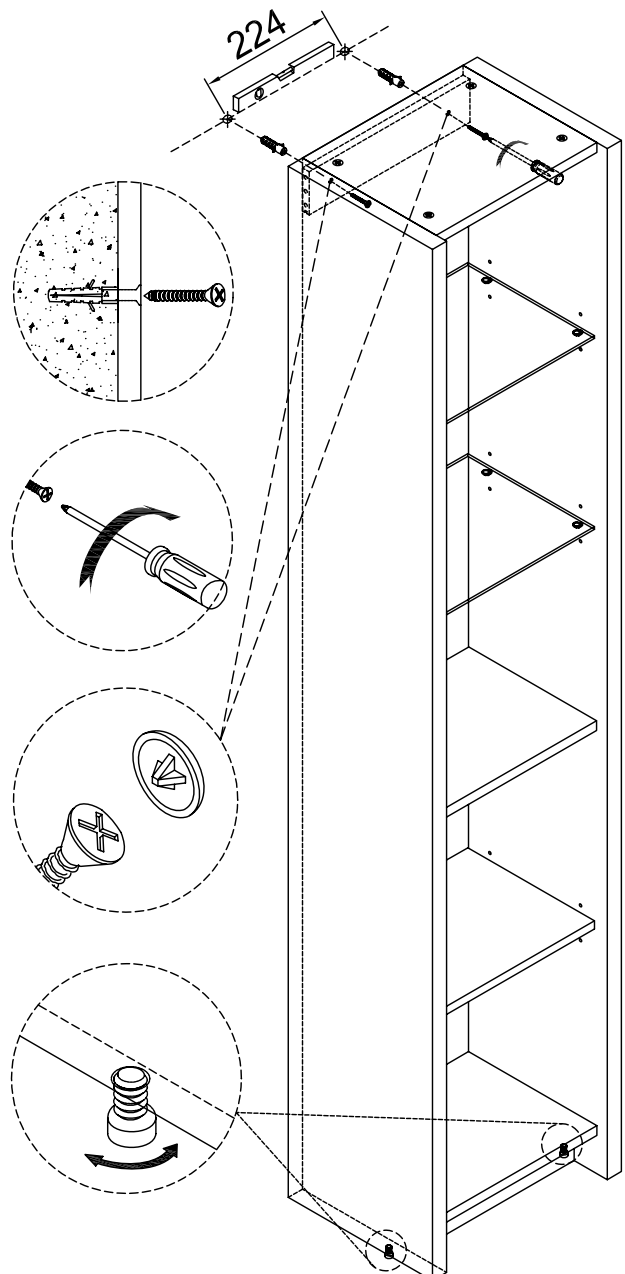
Step 20:


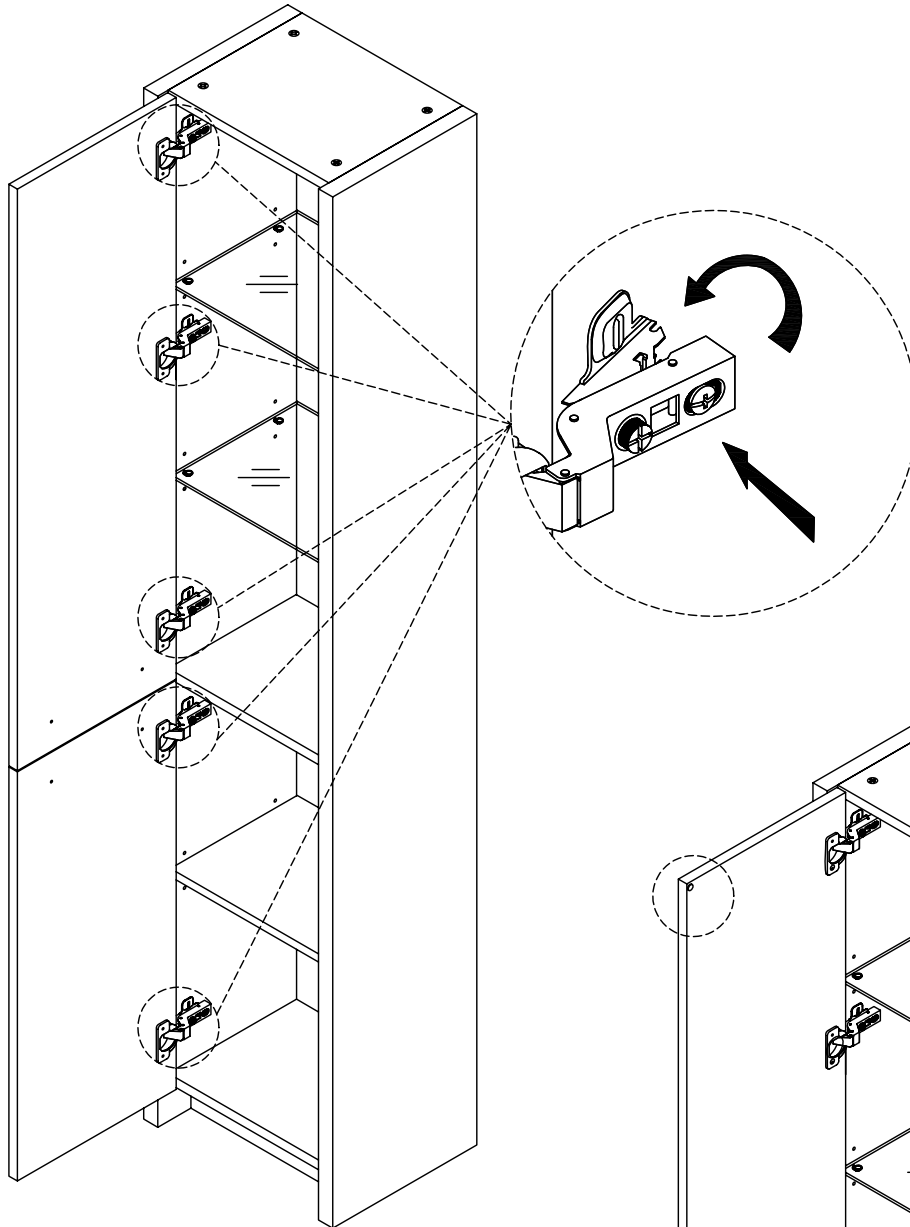
CODE	SIZE/DIAGRAM	QTY
U		x12


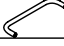


Step 21:

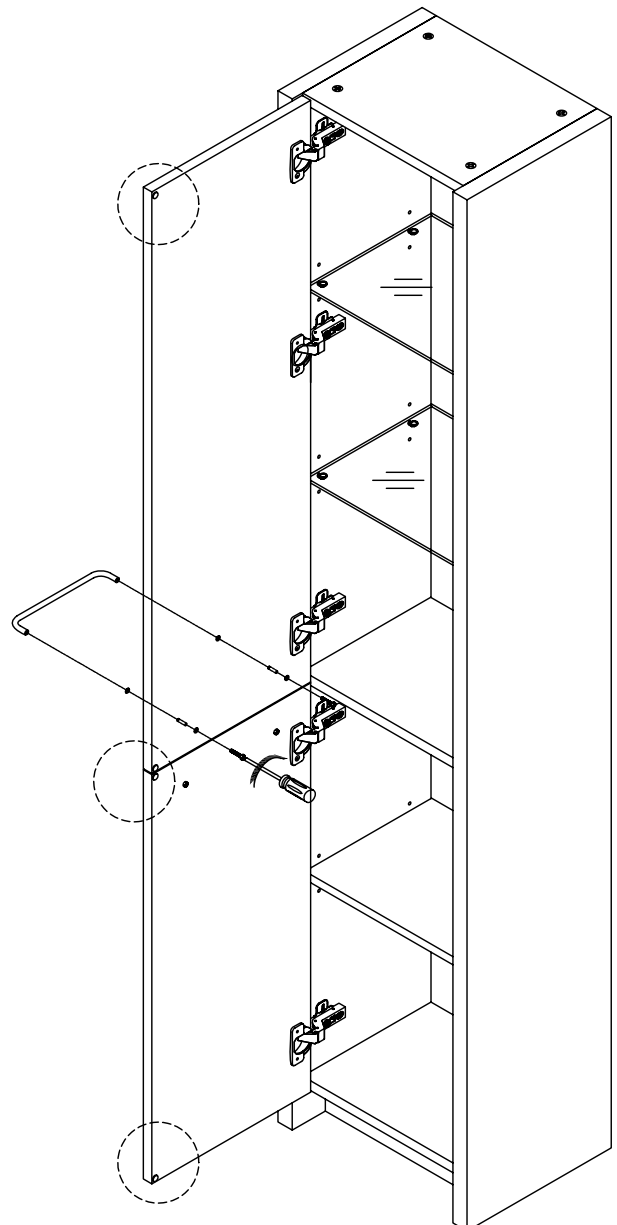
Place the unit in position against the wall. Raise or lower height adjusters (T) to level and achieve desired height at the front. Ensure that the top is horizontal before marking the wall for fixing. The wall fixings supplied may not be suitable for your installation. You may need to source alternatives depending on the material and strength of the wall you are fixing to.

CODE	SIZE/DIAGRAM	QTY
R		x2
S		x2
Z		x2



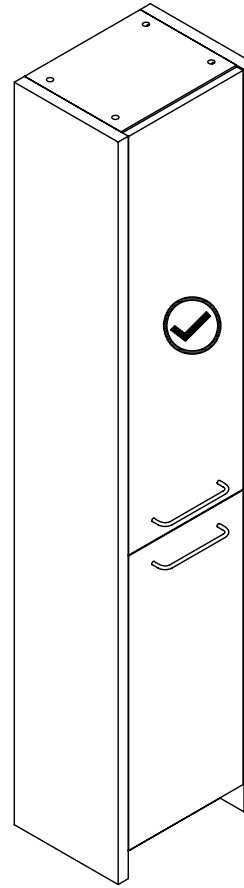
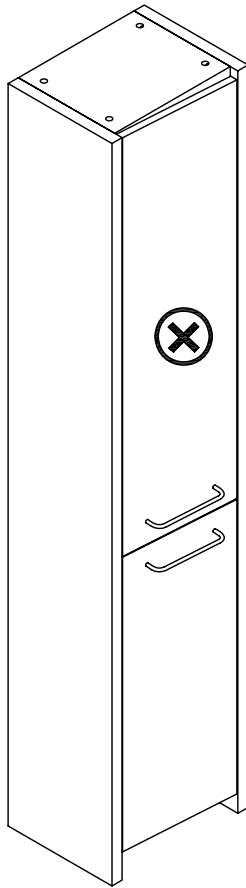
Step 22:

Step 23:

CODE	SIZE/DIAGRAM	QTY
V		x8
W		x2
X		x4
Y		x4

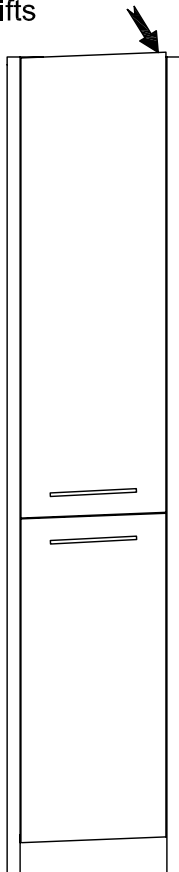
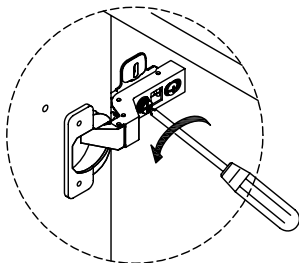


The doors can be adjusted up and down by rotating the adjustment screw as shown below :

Only if adjustment is required !



Anti-Clockwise adjustment lifts the far top corner.



Clockwise adjustment drops the far top corner.

