

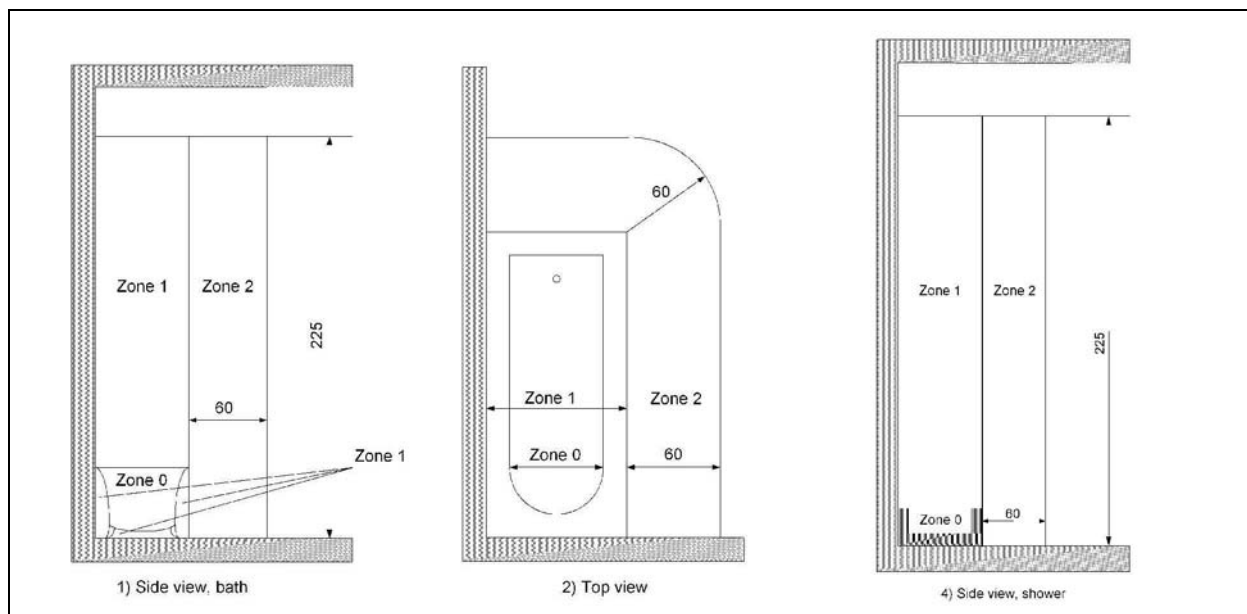
SUMMER HEATING KIT INSTRUCTIONS

This summer heating kit allows you the benefit of heat from your bathroom radiator on cooler days without the need to run your complete central heating system. When incorporated the electric heating element heats only the bathroom radiator, and the water does not get circulated to the other radiators in your home. It does not prevent the circulation of water into the bathroom radiator when the central heating pump is running, and thus does not need to be removed again once installed.

INSTALLATION INSTRUCTIONS

Position:

This summer heating kit is intended to be installed in a bathroom or shower-room. It is IP44 rated and may be installed in the Zone 2 area (see Fig below), but the electrical connection box must be outside the Zone 2 area.



Fitting into the bathroom radiator:

The summer heating kit comprises a sealed heating element complete with a threaded adaptor piece to facilitate fitting into the radiator. Note that it can only be inserted into a radiator which has a straight section of tubing to accommodate it directly from the connection point (i.e. it is not suitable for split section double panel radiators). It should be installed by a competent plumber.

To install, the bathroom radiator must be isolated from the rest of the central heating system by closing its shut-off/control valves, and then drained. If isolation cannot be achieved, then the complete central heating system must be drained down to below the level of the bathroom radiator (note that when refilling it may be necessary to top-up any corrosion inhibitor in the system). The adaptor must first be inserted into the radiator and tightened onto its 'O' ring seal (this adaptor still allows a flow of water when the central heating pump is running). Do not overtighten as this may damage the seal. The heating element should then be inserted into the radiator through this adaptor and tightened onto its 'O' ring seal. Again, do not overtighten. The other connection of the adaptor should be connected to the incoming central heating pipe. Finally, the isolating valves should be opened and the radiator bled of all air.

Electrical connection:

The sealed heating element is supplied complete with its own mains cable. Do not use an extension cable. It is a 3-wire product which must be earthed. It should be connected to the household fixed wiring by a qualified electrician in accordance with the national Wiring Regulations (BS.7671). A switch for disconnection from the electricity supply, having a contact separation in all poles that provide full disconnection under overvoltage category III conditions, must be incorporated in the fixed wiring. A switched spur outlet incorporating a 3A fuse may be used, but this must be positioned outside the Zone 2 area (i.e. further away from the bath or shower). The national Wiring Regulations also require that each circuit supplying a bathroom must be protected by a 30mA RCD in its supply.

USER INSTRUCTIONS**Safety warnings:**

- a) This appliance is not intended for use by persons (including children) with reduced physical, sensory or mental capabilities, or lack of experience and knowledge, unless they have been given supervision or instruction concerning use of the appliance by a person responsible for their safety
- b) Children should be supervised to ensure that they do not play with the appliance.
- c) As when the central heating system is operating, this summer heating kit will cause the bathroom radiator to get hot to touch during operation.
- d) Switch off the heating element at the supply when not in use.
- e) Do not operate the heating element when there is no water in the radiator. It incorporates an overheat protection thermal fuse which may blow if this occurs.
- f) If the mains supply cable to the heating element becomes damaged it must be replaced by the manufacturer, its service agent or a similarly qualified person in order to avoid a hazard.

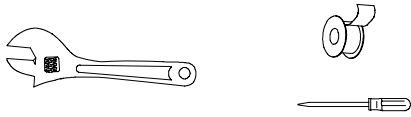
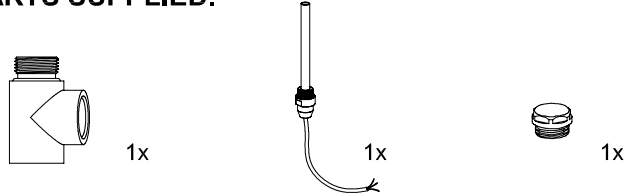
Operation:

When the electricity supply is switched on the bathroom radiator will heat up. The heating element incorporates an integral fixed temperature thermostat, so no temperature adjustment is necessary.

43100001260
 43100001270
 43100001280
 43100001290
 43100001300
 43100001310

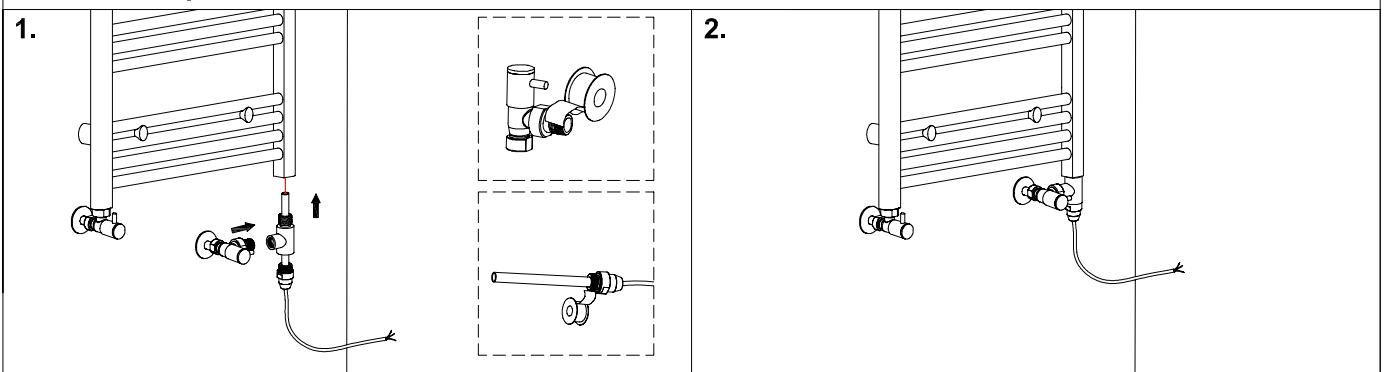
Summer Heating Kit

Assembly Instructions

TOOLS REQUIRED:

PARTS SUPPLIED:


The table below is a guide to help choose which summer heating kit is most suitable for which radiator.

Summer Heating Kit	Radiator Output		
	Up to 1500BTU	1500 to 2500BTU	Over 2500BTU
200W	X		
400W		X	
600W			X

INSTALLATION:
With the adaptor:

Without the adaptor:
